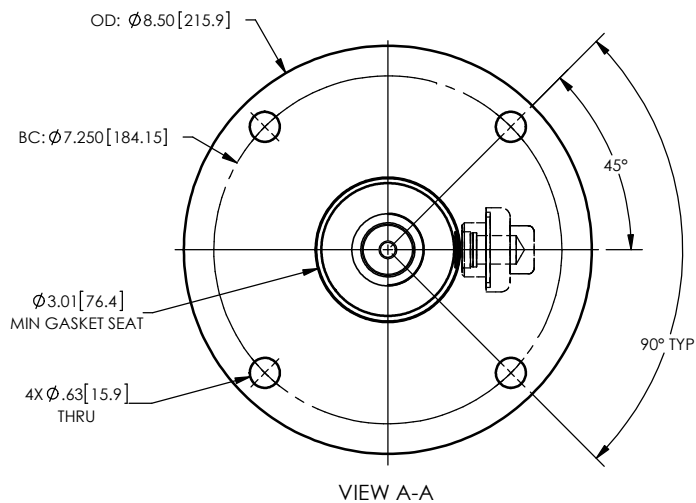
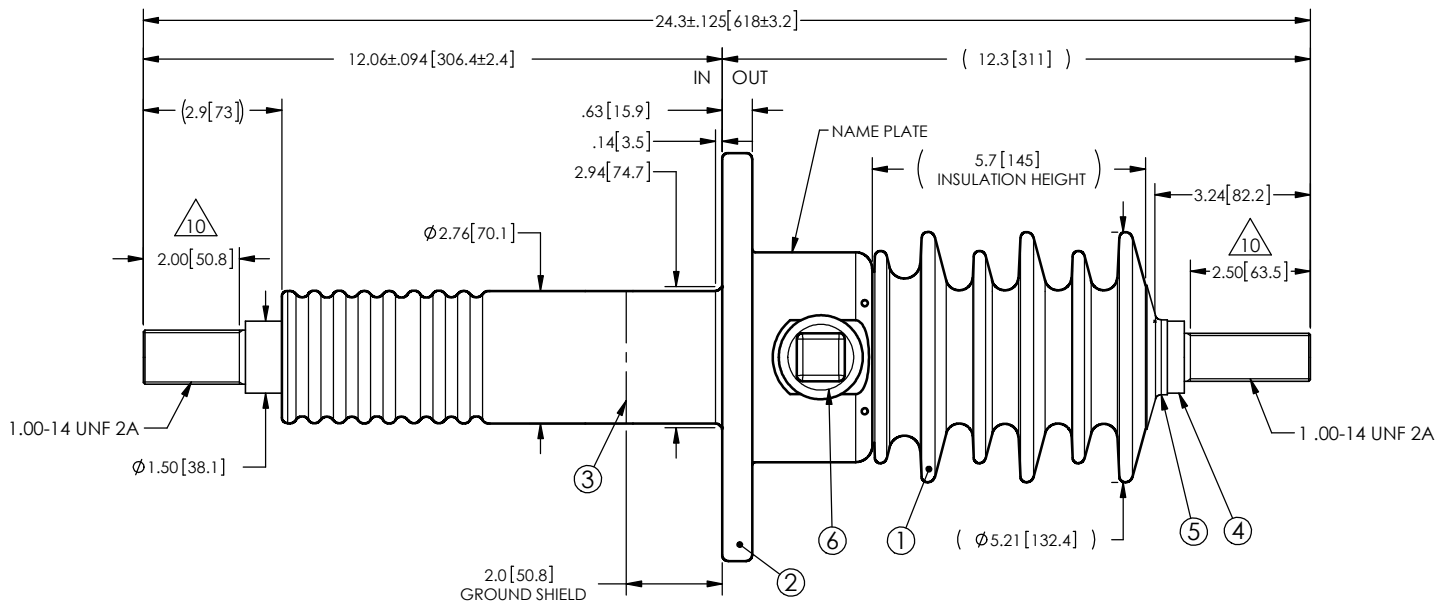


NOTES:

- 1 CREEPAGE DISTANCE : OUT 13.7" / 348mm IN 8.5" / 216mm
- 2 ARC DISTANCE : OUT 6.7" / 170mm IN 7.8" / 198mm
- 3 NOMINAL VOLTAGE: 15kV
- 4 NOMINAL CURRENT: 800A
- 5 WITHSTAND VOLTAGE AT 60 sec.: 50kV
- 6 B.I.L. : 110kV
- 7 APPLICATION STANDARD: IEEE C57.19.01
- 8 MAX. TORQUE APPLIED ON FLANGE BOLTS: 40 lbf x ft / 54.2 N.m
- 9 WEIGHT: 24 lb / 11.2 Kg

10 SILVER PLATED, AS PER ASTM B700, TYPE 1, GRADE D, CLASS N, NO NICKEL LAYER, FROM 13 TO 20 μm THICKNESS

REVISIONS					
ZONE	REV.	DESCRIPTION	DRAWN BY	DATE	APPR.



This drawing is the proprietary property of Electro Composites (2008) ULC, not part of the public domain, and is issued with the express understanding and agreement that it is not to be reproduced or copied in whole or in part or issued for furnishing information to others, or used directly or indirectly, in any way detrimental to the interest of Electro Composites (2008) ULC and is to be returned upon request by Electro Composites (2008) ULC. All Rights Reserved.

ITEM NO.	QTY	DRAWING NO.	PART NO.	DESCRIPTION	NOTE / MAT'L
6	1	S-1001-2022		CAPACITANCE TAP ASSEMBLY	ALUMINUM
5	1	S-1001-0007		CAP	COPPER
4	1	S-2156-8589		ROD ASSEMBLY	COPPER
3	1	S-8433-7877		SHIELD ASSEMBLY	COPPER
2	1	S-2156-8587		FLANGE	ALUMINUM
1	1	S-2156-8586	-001	CASTING, CYCLOALIPHATIC RESIN	EC-APG-02

PARTS LIST

GENERAL TOLERANCES (UNLESS OTHERWISE SPECIFIED)

- X. ±0.125
- .X ±0.094
- .XX ±0.063
- .XXX ±0.010
- ANGLES ±0.25°
- RADIUS ±0.031

REMOVE BURRS AND BREAK SHARP EDGES

DIMENSIONS ARE IN INCHES (UNLESS OTHERWISE SPECIFIED)

REPLACE:

DRAWN BY: J.N.PILOTTE DATE: 2014/10/01

CHECK BY:

PROJECTING:

PROJECT MANAGER:

Electro Composites
solid HV bushings solution

TITLE: SDC® BUSHING 15kV, 800A
MODEL: 110-008-W-892-00

FORMAT: A CAGE CODE: DRAWING NO.: S-2156-8586 REVISION: NR

SCALE: 1:4 GENERATED BY: SolidWorks 2013 SHEET: 1 of 1