



**PCORE**  
ELECTRIC

**KV CLASS** 25 kV **BIL** 150 kV **Uy** 16 kV

**CURRENT RATING**

400 AMP DRAW LEAD CONNECTION

**DWG.** **CATALOG NUMBER** **GLAZE COLOR**

SD B-89201 BROWN

SD B-89201-70 LT. GRAY

**TITLE** PRC BUSHING

**DATE** 12-13-91 **REV. DATE** 3-7-14

**MAXIMUM ALTITUDE** 10000 ft [3000 m]

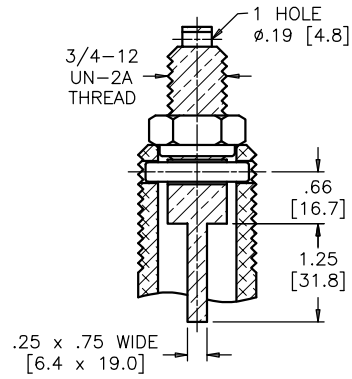
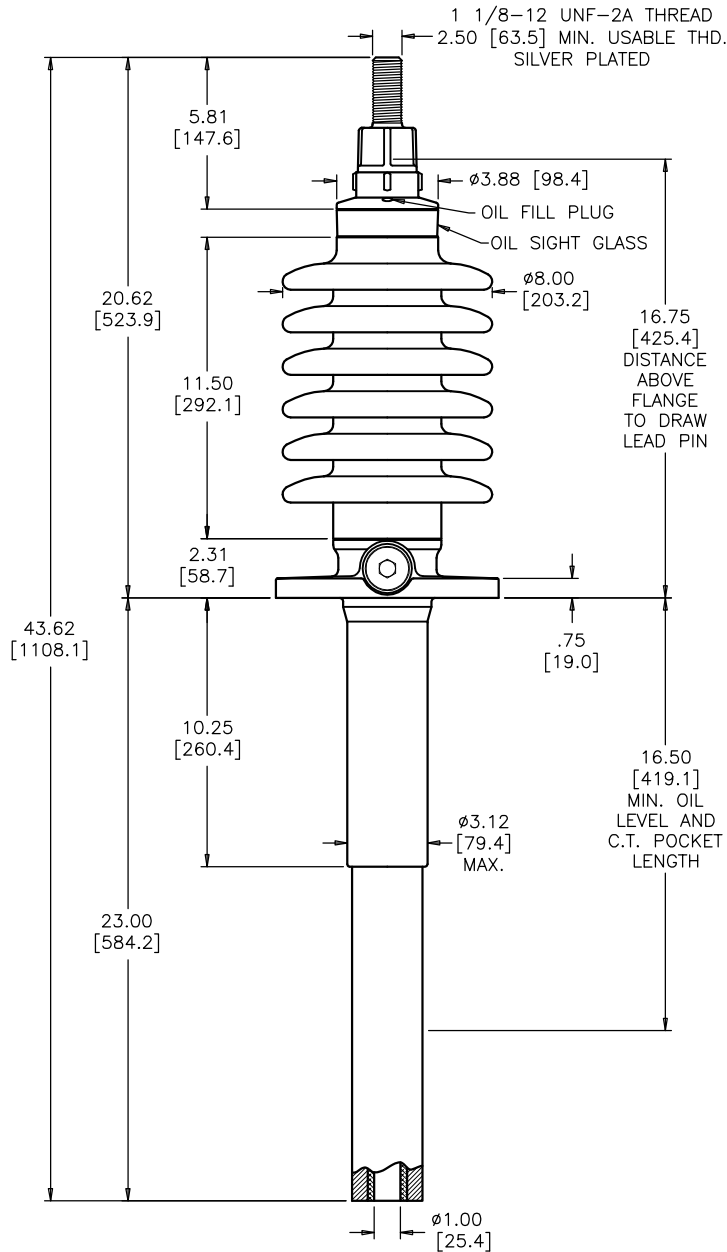
**NET WEIGHT** 41 lb [19 kg]

**ANGLE OF INCLINATION FROM THE VERTICAL** 0° TO 70°

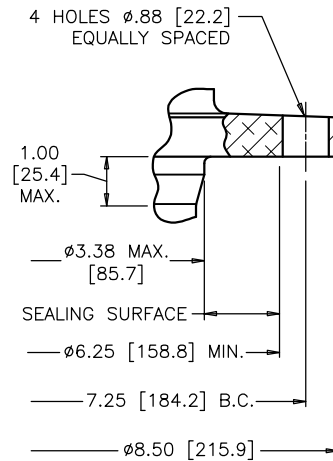
**MIN. CREEP** 31.00 [787.4] **MIN. STRIKE** 13.00 [330.2]

**CREEP/uy** 1.94 [49.2] **STD.** IEEE C57.19.00/01

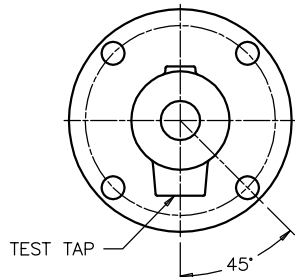
PCB CONTENT OF OIL IS LESS THAN 1 ppm



**DRAW LEAD ASSEMBLY**



**MOUNTING FLANGE DETAIL**



**FLANGE ALIGNMENT DIAGRAM TOP VIEW**

DIMENSIONS IN INCHES [MILLIMETERS]

**REVISION** UPDATED DRAW LEAD NUT

**SCALE** 1/5

NOTE TO PURCHASER:  
ALL SALES OF PCORE PRODUCTS ARE SUBJECT  
TO OUR STANDARD TERMS AND CONDITIONS  
AND THE LIMITED WARRANTIES THEREUNDER