



KV CLASS 46 kV	BIL 250 kV	Uy 29 kV
-----------------------	-------------------	-----------------

CURRENT RATING

2000A BOTTOM CONNECTION IN 55°C RISE OIL

MIN. CREEP 49.00 [1244.6]	MIN. STRIKE 21.00 [533.4]
----------------------------------	----------------------------------

CREEP/Uy 1.69 [42.9]	STD. IEEE C57.19.00
-----------------------------	----------------------------

PCB CONTENT OF OIL IS LESS THAN 1 ppm

DWG.	CATALOG NUMBER	GLAZE COLOR
SD	B89453-200	BROWN
SD	B89453-200-70	LT. GRAY

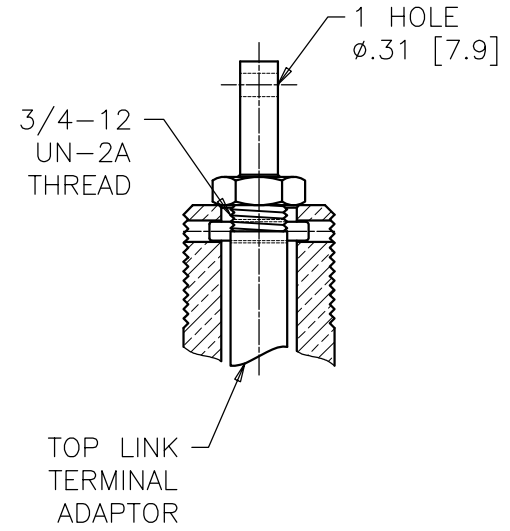
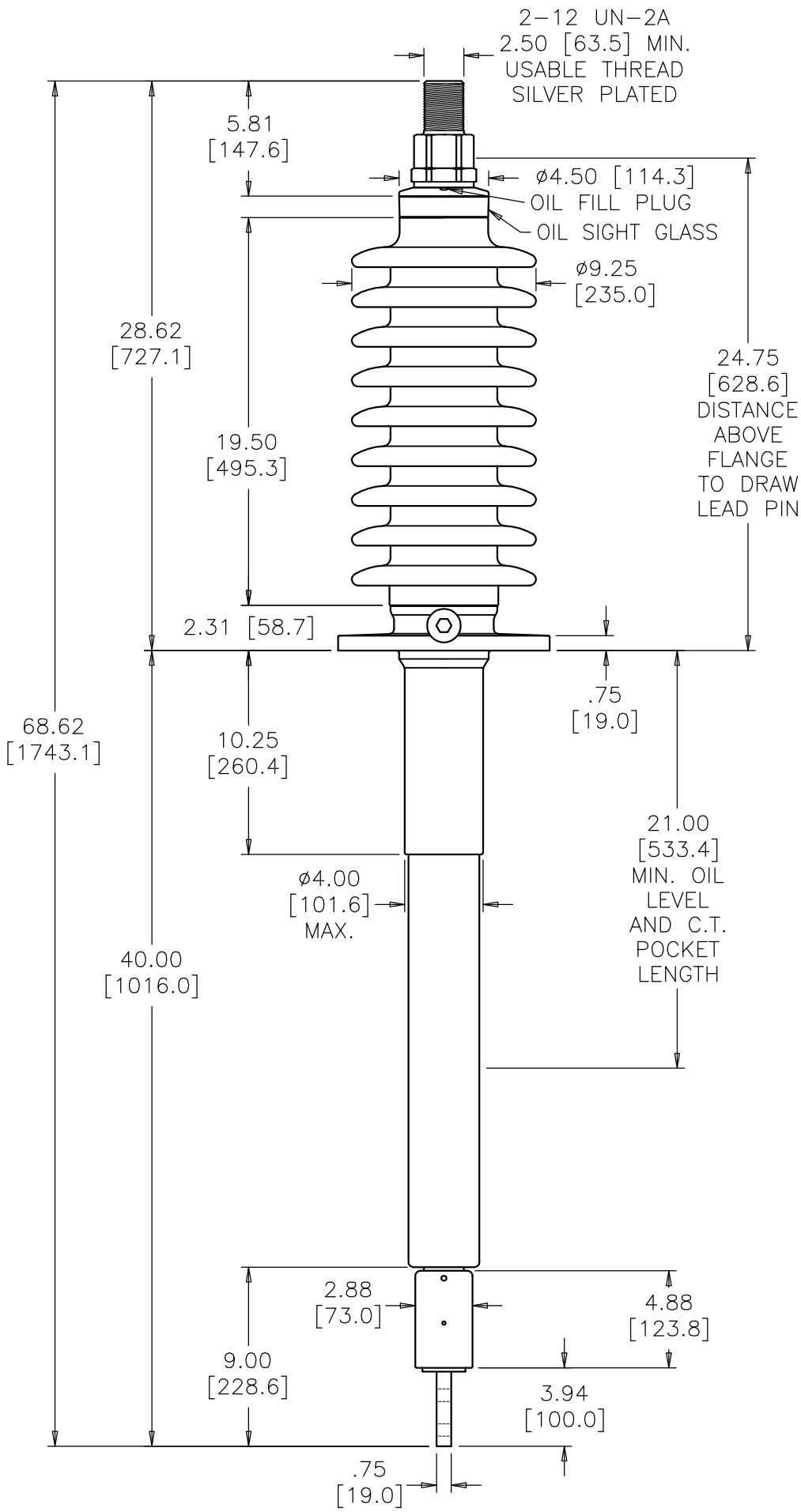
TITLE IEEE STANDARD BUSHING
PRC BUSHING
QUICK LINK BOTTOM CONNECTION
JOINT LOCATION .75 [19.0]
ABOVE FLANGE MOUNTING SURFACE
UNPLATED BOTTOM TERMINAL

DATE 1-9-04	REV. DATE 4-19-07
--------------------	--------------------------

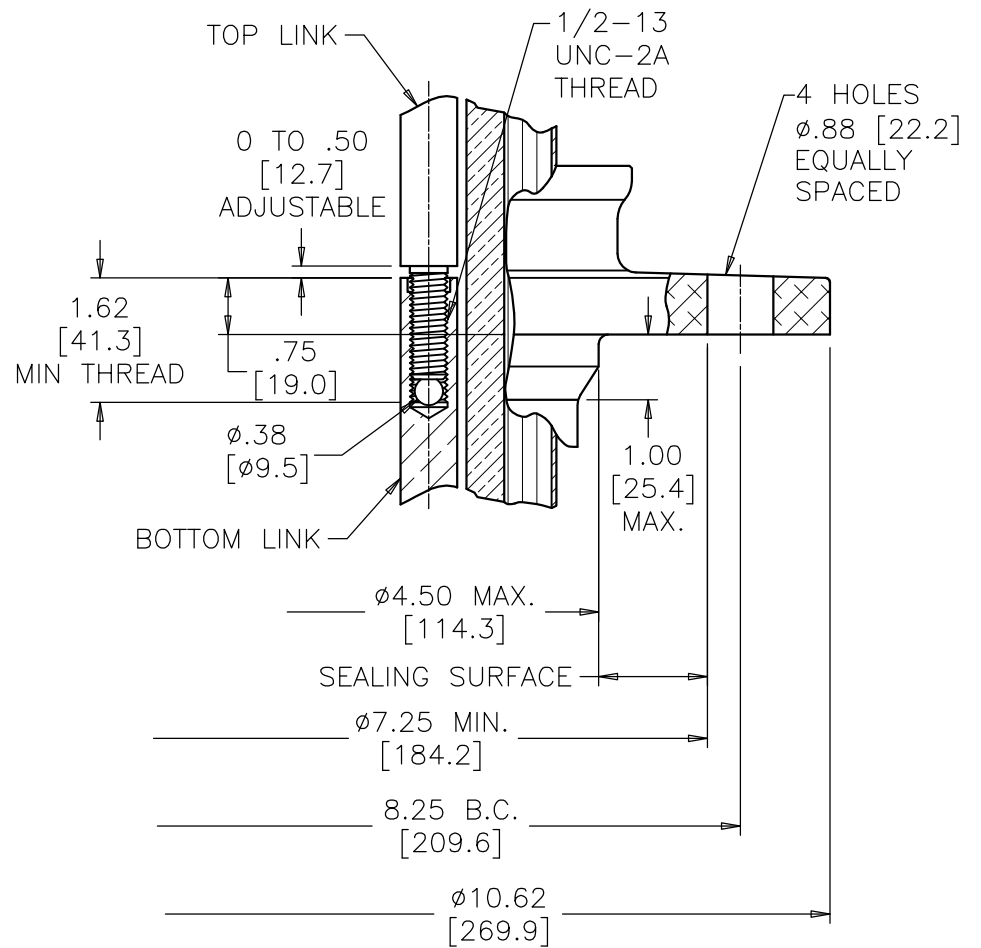
MAXIMUM ALTITUDE 10000 ft [3000 m]

NET WEIGHT 140 lb [64 kg]

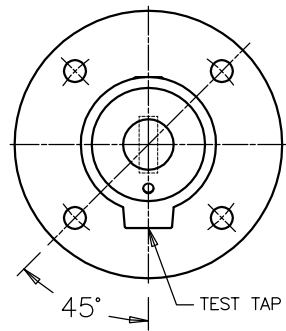
ANGLE OF INCLINATION FROM THE VERTICAL 0° TO 70°



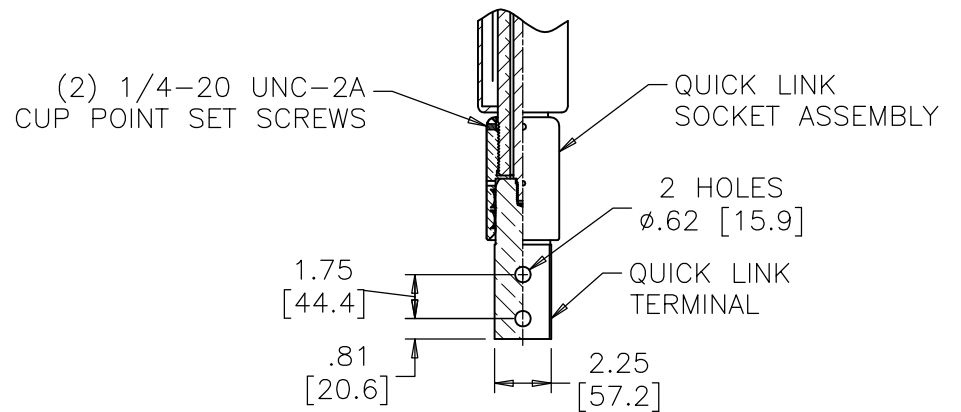
TOP LINK TERMINAL DETAIL



MOUNTING FLANGE DETAIL



ALIGNMENT DIAGRAM TOP VIEW



BOTTOM TERMINAL DETAIL

DIMENSIONS IN INCHES [MILLIMETERS]