



KV CLASS 69 kV **BIL** 350 kV **Uy** 44 kV

CURRENT RATING

1200A BOTTOM CONNECTION IN 55°C RISE OIL

MIN. CREEP 69.50 [1765.3]

MIN. STRIKE 30.00 [762.0]

CREEP/Uy 1.58 [40.1]

STD. IEEE C57.19.00

PCB CONTENT OF OIL IS LESS THAN 1 ppm

DWG. **CATALOG NUMBER** **GLAZE COLOR**

SD B-89593-200 BROWN

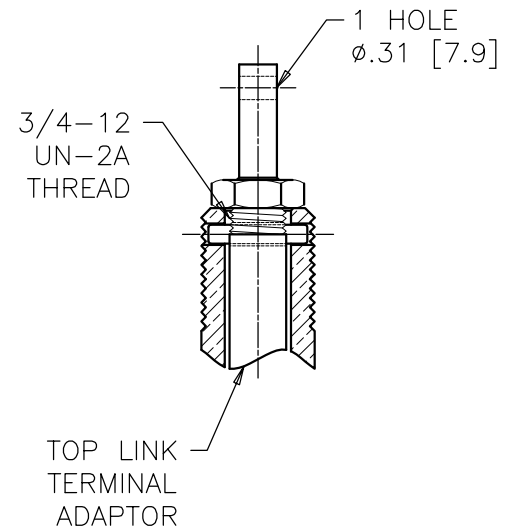
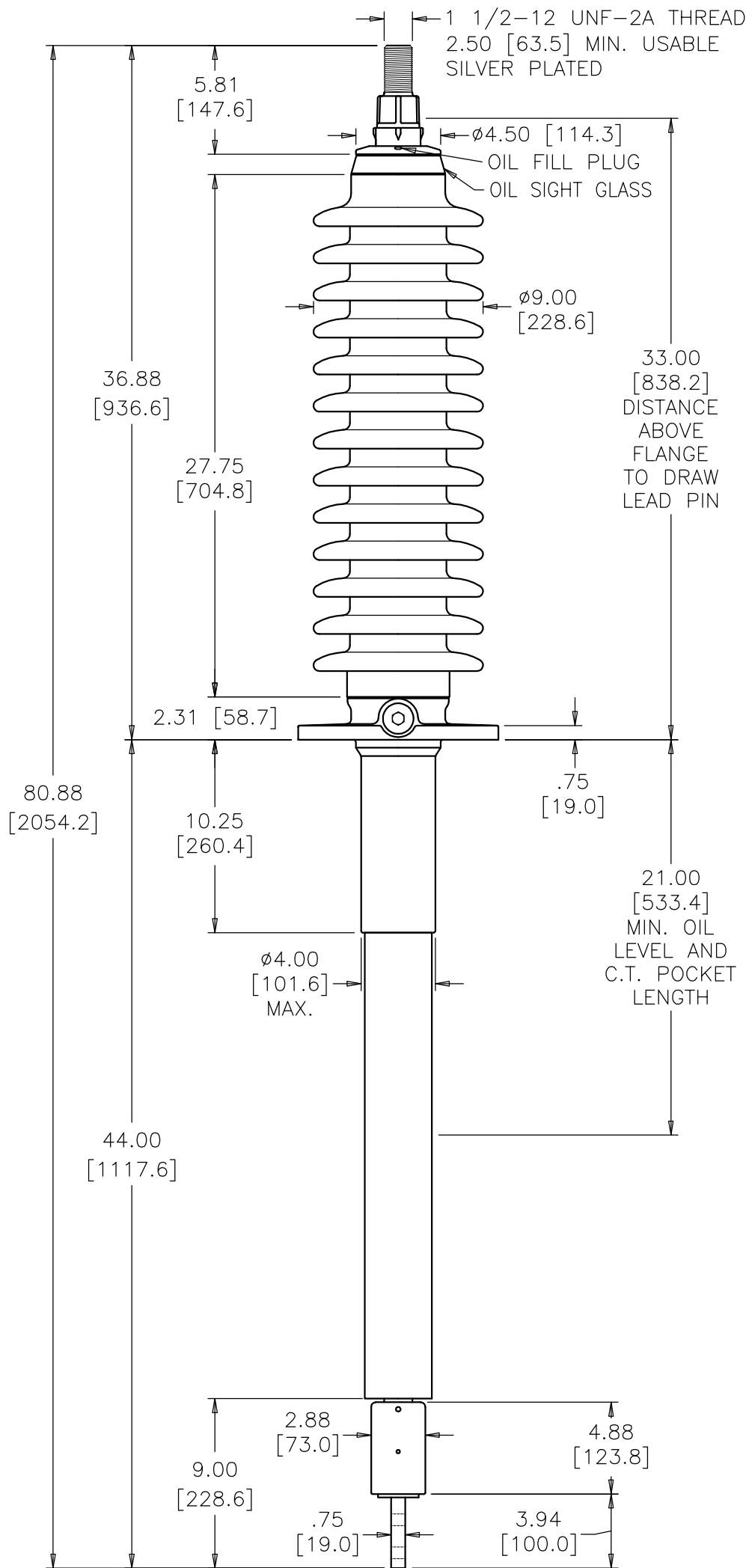
SD B-89593-200-70 LT. GRAY

TITLE IEEE STANDARD BUSHING

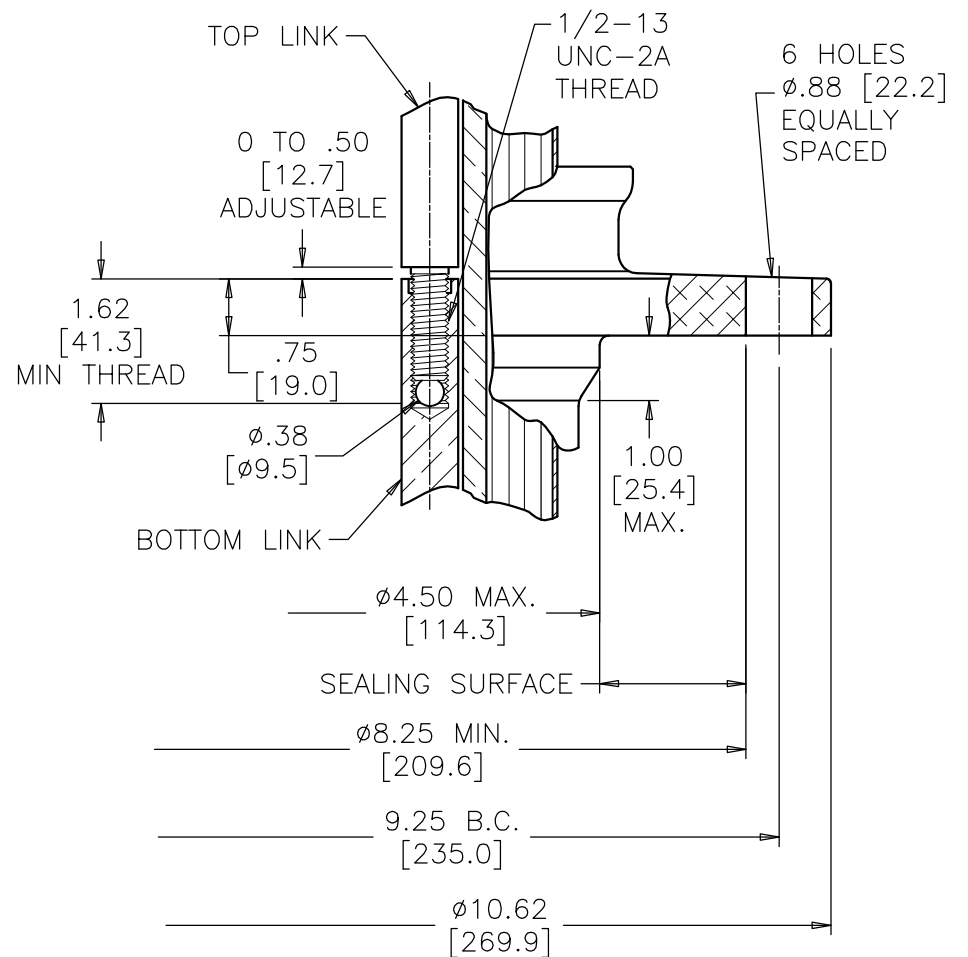
PRC BUSHING

QUICK LINK BOTTOM CONNECTION
JOINT .75 [19.0] ABOVE FLANGE MOUNTING SURFACE
UNPLATED BOTTOM TERMINAL

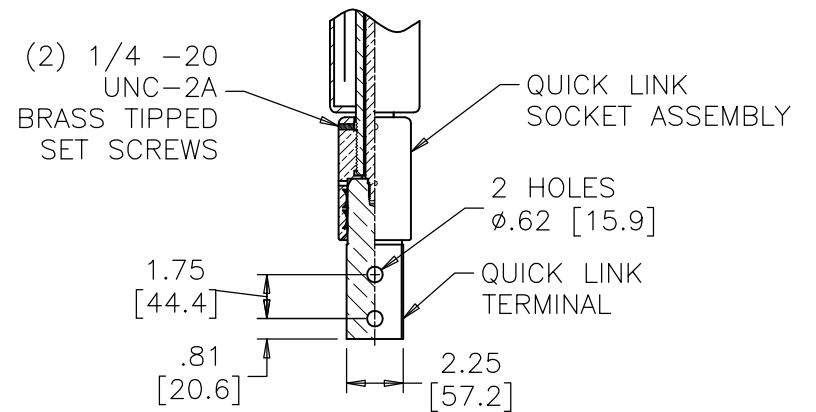
DATE	4-12-00	REV. DATE	12-10-07
MAXIMUM ALTITUDE	10000 ft [3000 m]		
NET WEIGHT	160 lb [73 kg]		
ANGLE OF INCLINATION FROM THE VERTICAL	0° TO 70°		



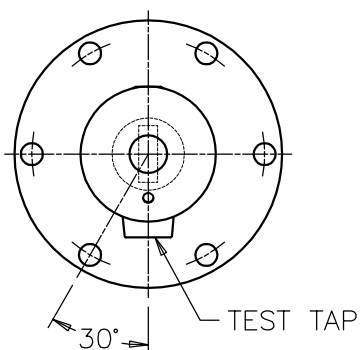
TOP LINK TERMINAL DETAIL



MOUNTING FLANGE DETAIL



BOTTOM TERMINAL DETAIL



ALIGNMENT DIAGRAM TOP VIEW

DIMENSIONS IN INCHES [MILLIMETERS]

REVISION Ø9.00 WAS Ø8.88 ON UPPER PORCELAIN

SCALE 1/8

NOTE TO PURCHASER:
ALL SALES OF PCORE PRODUCTS ARE SUBJECT TO OUR STANDARD TERMS AND CONDITIONS AND THE LIMITED WARRANTIES THEREUNDER