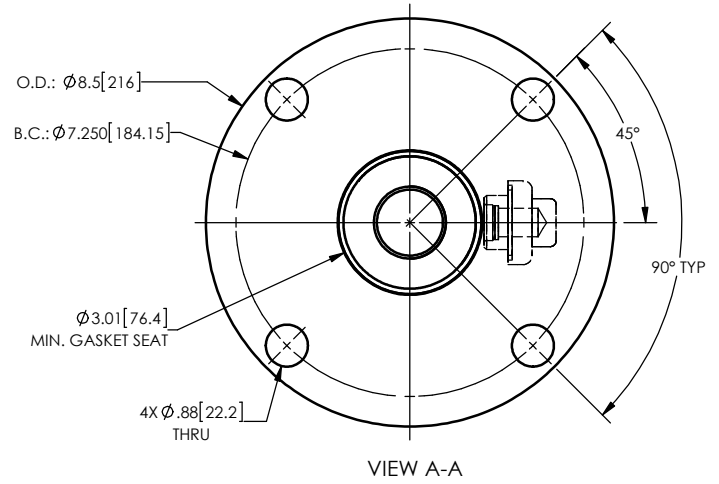
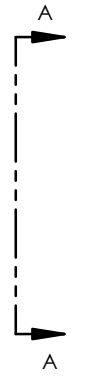
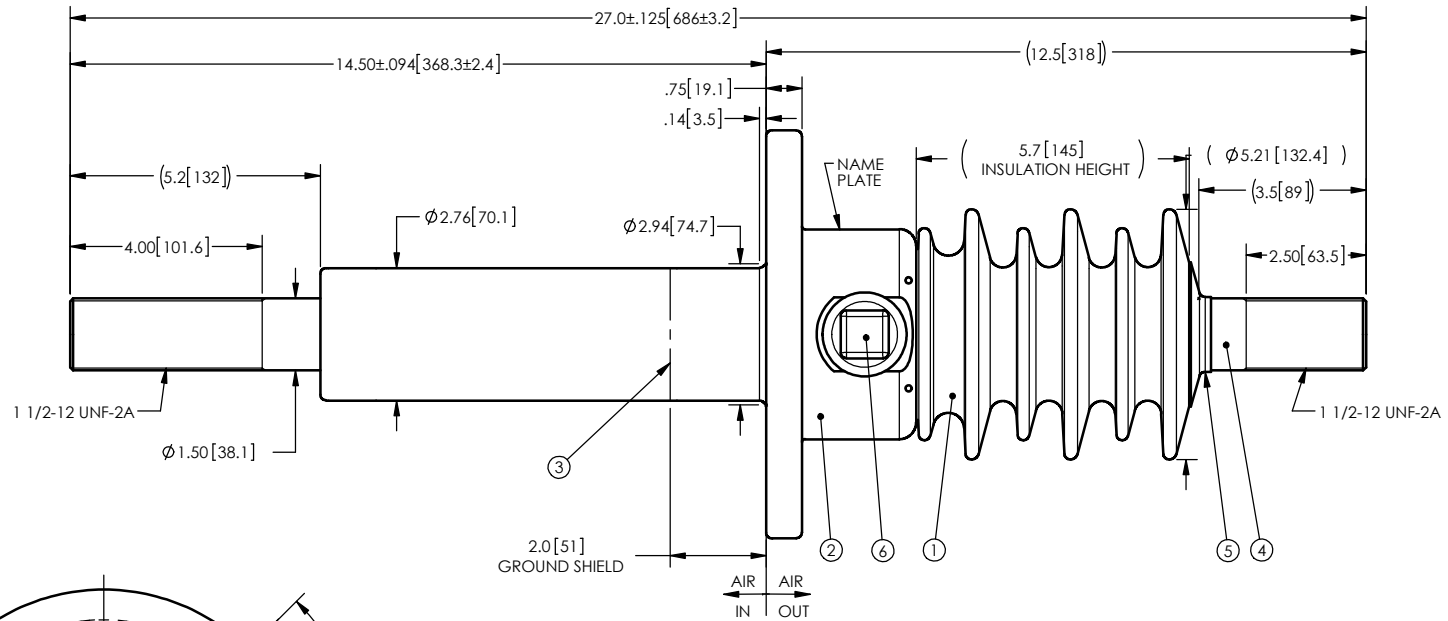


NOTES:

- 1 CREEPAGE DISTANCE : 13.9" / 353mm
- 2 ARC DISTANCE : 6.7" / 170mm
- 3 NOMINAL VOLTAGE: 15kV
- 4 NOMINAL CURRENT: 2000A
- 5 VOLTAGE WITHSTAND, 60 sec.: 50kV
- 6 BIL : 110kV
- 7 ROUTINE TEST ACCORDING TO: IEEE C57.19.01
- 8 MAX. TORQUE APPLIED ON FLANGE BOLTS: 40 lb·ft / 54.2 N·m
- 9 WEIGHT: 28 lb / 12.7 Kg

REVISIONS					
ZONE	REV.	DESCRIPTION	DRAWN BY	DATE	APPR.



ITEM NO.	QTY	DRAWING NO.	PART NO.	DESCRIPTION	NOTE / MAT'L
6	1	S-1001-2022		CAPACITANCE TAP ASSEMBLY	ALUMINUM
5	1	S-1001-0007		CAP	COPPER
4	1	S-7423-8704		ROD ASSEMBLY	COPPER
3	1	S-7423-8703		SHIELD ASSEMBLY	COPPER
2	1	S-7222-6941		FLANGE	ALUMINUM
1	1	S-7423-8702	-001	CASTING, CYCLOALIPHATIC RESIN	EC-APG-02

PARTS LIST					
GENERAL TOLERANCES (UNLESS OTHERWISE SPECIFIED) X. ±0.125 .X ±0.094 .XX ±0.063 .XXX ±0.010 ANGLES ±0.25° RADIUS ±0.031			ElectroComposites™ solid HV bushings solution		
REMOVE BURRS AND BREAK SHARP EDGES DIMENSIONS ARE IN INCHES (UNLESS OTHERWISE SPECIFIED)			TITLE: SDC® BUSHING 15KV, 2000A MODEL: 110-020-W-901-00		
DRAWN BY: J. CLICHE		DATE: 2015/01/29		FORMAT: A	CAGE CODE: S-7423-8702
CHECK BY:		PROJECTING:		DRAWING NO. NR	REVISION:
PROJECT MANAGER:		SCALE: 1:4	GENERATED BY: SolidWorks 2013	SHEET 1 of 1	

This drawing is the proprietary property of Electro Composites (2008) ULC, not part of the public domain, and is issued with the express understanding and agreement that it is not to be reproduced or copied in whole or in part or issued for furnishing information to others, or used directly or indirectly, in any way detrimental to the interest of Electro Composites (2008) ULC and is to be returned upon request by Electro Composites (2008) ULC. All Rights Reserved.