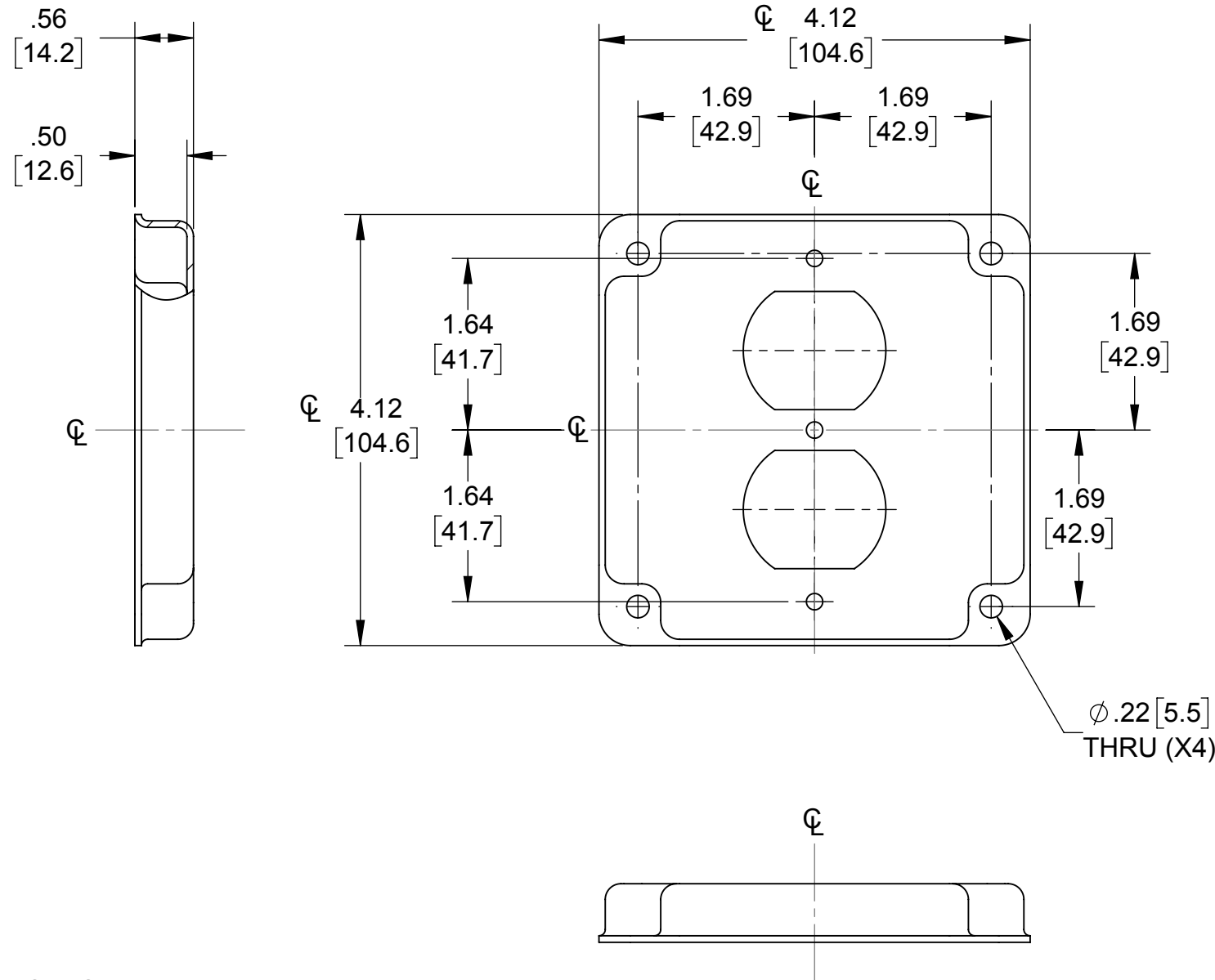
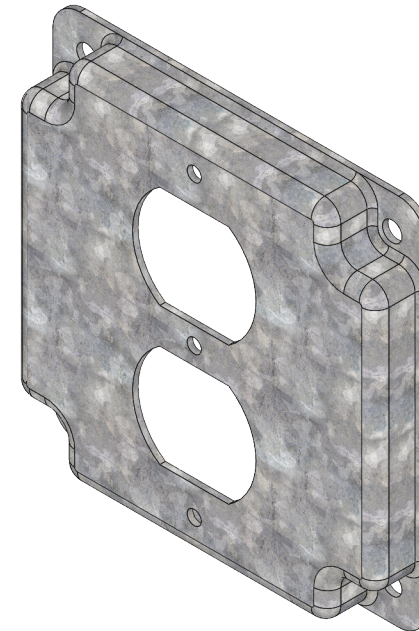
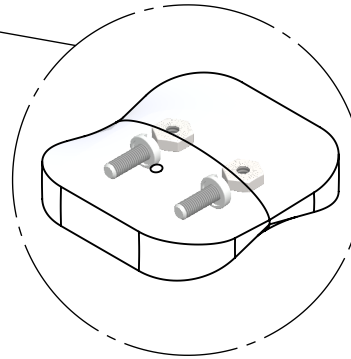


LIST OF PARTS

DESCRIPTION	MATERIAL	FINISH
COVER	STEEL	GALVANIZED
SCREWS	STEEL	GALVANIZED
NUTS	STEEL	GALVANIZED

#6-32 X 1 1/32" BINDING HEAD
MACHINE SCREWS (QTY. 2)

#6-32 NUTS (QTY. 2)



- NOTES:
- ALL DIMENSIONS ARE IN INCHES AND [MILLIMETERS]
 - BOX VOLUME: 6.5 IN³ [107] CM³
 - UL LISTED

	INITIAL RELEASE	RMV	04-03-17
SYM.	REVISION DESCRIPTION	APP	DATE

THE DESIGN AND DIMENSIONS OF THE PRODUCT SHOWN ON THIS DRAWING ARE SUBJECT TO CHANGE WITHOUT NOTICE

TITLE:
**4" SQ. CRUSHED CORNER COVER,
(1) DUPLEX RECT**

TOLERANCE UNLESS OTHERWISE SPECIFIED .XX DECIMAL ±.015 .XXX DECIMAL ±.005 ANGLE ±2°	RACO South Bend, Indiana		SIZE: B
	DRAWN BY:	RMV	SCALE: 1:1.5
	APP. BY:	RMV	
	DATE:	04-03-17	