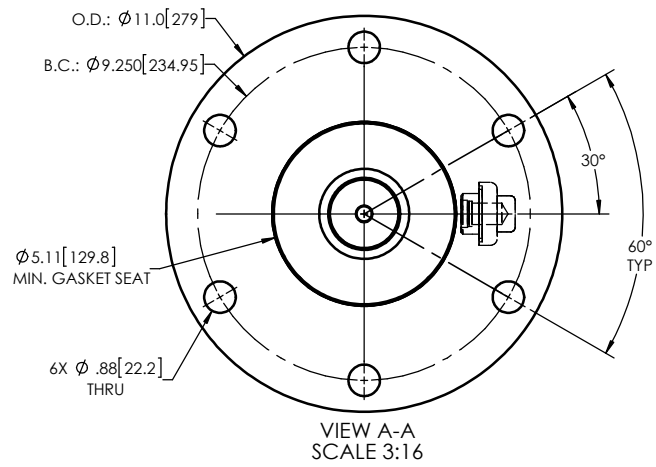
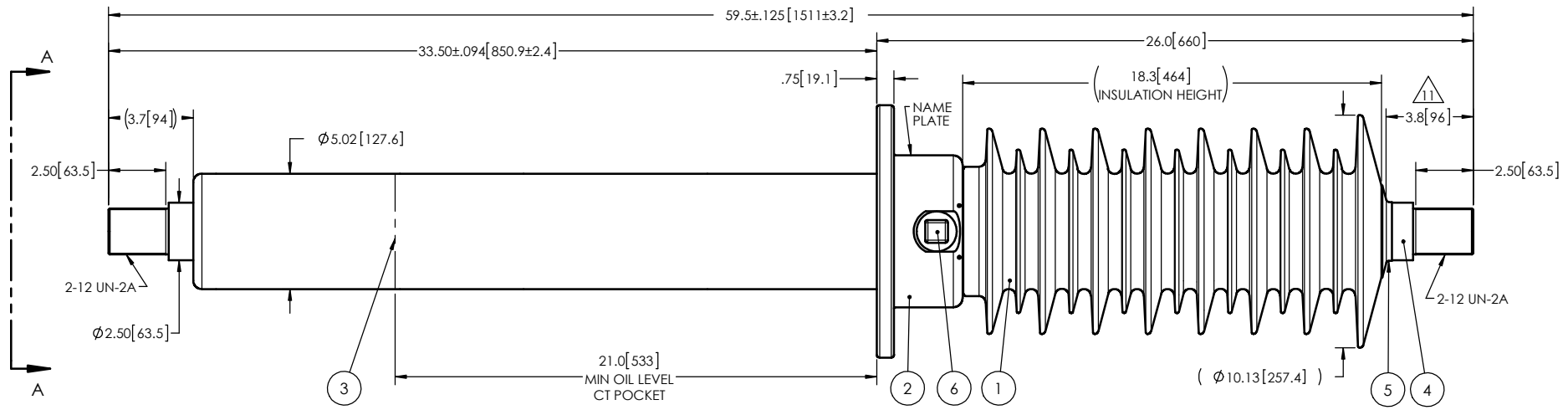


- NOTES:
- 1 CREEPAGE DISTANCE: 55.6" / 1412mm
 - 2 ARC DISTANCE: 21.1" / 536mm
 - 3 NOMINAL VOLTAGE: 46KV
 - 4 NOMINAL CURRENT: 3000A
 - 5 VOLTAGE WITHSTAND, 60 sec.: 105kV
 - 6 BIL : 250kV
 - 7 ROUTINE TEST ACCORDING TO: IEEE C57.19.01
 - 8 MAX. TORQUE APPLIED ON FLANGE BOLTS: 70 lbf·ft / 94.9 N·m
 - 9 WEIGHT: 168 lb / 76.2 Kg
 - 10 MAXIMUM OPERATING TEMPERATURE: 130°C
- 11 SILVER PLATED, AS PER ASTM B700, TYPE 1, GRADE D, CLASS N, NO NICKEL LAYER, FROM 13 TO 20 MICROMETERS THICKNESS

REVISIONS					
ZONE	REV.	DESCRIPTION	DRAWN BY	DATE	APPR.



ITEM NO.	QTY	DRAWING NO.	PART NO.	DESCRIPTION	NOTE / MAT'L
6	1	S-1001-2022		CAPACITANCE TAP ASSEMBLY	ALUMINUM
5	1	S-3692-2417-0		CAP	COPPER
4	1	S-9802-8753		ROD ASSEMBLY	COPPER
3	1	S-2158-8453		SHIELD ASSEMBLY	COPPER
2	1	S-7901-7334		FLANGE	ALUMINUM
1	1	S-9802-8736	-001	CASTING, CYCLOALIPHATIC RESIN	EC-APG-15NA

Electro Composites
solid HV bushings solution

TITLE: SDC® BUSHING 46KV, 3000A
MODEL: 250-030-T-905-00

DRAWN BY: J. CLICHE	DATE: 2015/03/24	FORMAT: A	CAGE CODE	DRAWING NO. S-9802-8736	REVISION NR
CHECK BY:		PROJECT ENG.:		SCALE 1:7	GENERATED BY: SolidWorks 2013
PROJECT MGR.:					SHEET 1 of 1

GENERAL TOLERANCES (UNLESS OTHERWISE SPECIFIED)

X.	±0.125
.X	±0.094
.XX	±0.063
.XXX	±0.031
ANGLES	±0.25°
RADIUS	±0.031

REMOVE BURRS AND BREAK SHARP EDGES

DIMENSIONS ARE IN INCHES (UNLESS OTHERWISE SPECIFIED)

This drawing is the proprietary property of Electro Composites (2008) ULC, not part of the public domain, and is issued with the express understanding and agreement that it is not to be reproduced or copied in whole or in part or issued for furnishing information to others, or used directly or indirectly, in any way detrimental to the interest of Electro Composites (2008) ULC and is to be returned upon request by Electro Composites (2008) ULC. All Rights Reserved.