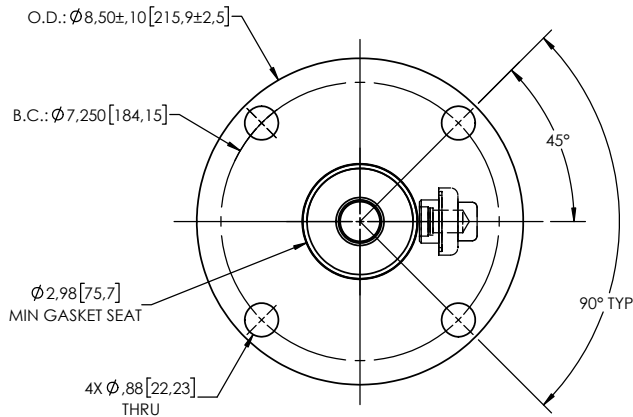
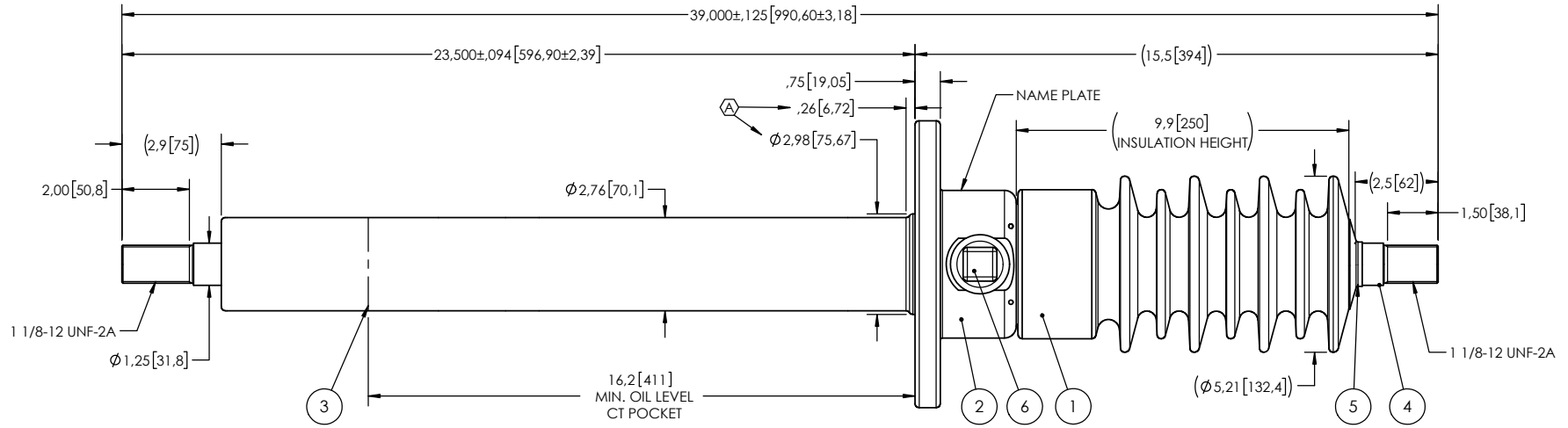


NOTES:

- 1 CREEPAGE DISTANCE: 20.9" / 532mm
- 2 ARC DISTANCE: 10.9" / 277mm
- 3 NOMINAL VOLTAGE: 25kV
- 4 NOMINAL CURRENT: 1200A
- 5 VOLTAGE WITHSTAND, 60 sec.: 60kV
- 6 BIL: 150kV
- 7 ROUTINE TEST ACCORDING TO: IEEE C57.19.01
- 8 MAX. TORQUE APPLIED ON FLANGE BOLTS: 40 lbf · ft / 54.2 N · m
- 9 WEIGHT: 35 lb / 15.9 kg

RÉVISIONS					
ZONE	REV.	DESCRIPTION	DESSINÉ PAR	DATE	APPR.
E4	A	DIMENSION OF CASTING UNDER FLANGE ADDED	M. FORGET	2020-11-20	Y.V.



ITEM NO.	QTY	DRAWING NO.	PART NO.	DESCRIPTION	NOTE / MAT'L
6	1	S-1001-2022		CAPACITANCE TAP ASSEMBLY	ALUMINUM
5	1	S-1016-0008		CAP	COPPER
4	1	S-7696-8899		ROD ASSEMBLY	COPPER
3	1	S-7520-7168		SHIELD ASSEMBLY	COPPER
2	1	S-8778-8150		FLANGE	ALUMINUM
1	1	S-7696-8898	-001	CASTING, CYCLOALIPHATIC RESIN	EC-APG-02

PARTS LIST

GENERAL TOLERANCES (UNLESS OTHERWISE SPECIFIED)

X.	±0.125
.X	±0.094
.XX	±0.063
.XXX	±0.031
ANGLES	±.25°
RADIUS	0.031

REMOVE BURRS AND BREAK SHARP EDGES

DIMENSIONS ARE IN INCHES (UNLESS OTHERWISE SPECIFIED)

DRAWN BY: J.N.PILOTE	DATE: 2015/07/10
CHECK BY:	
PROJECT ENG.:	
PROJECT MANAGER:	

**Electro Composites**  
solid HV bushings solution

TITLE: SDC® BUSHING 25kV, 1200A  
MODEL: 150-012-T-926-00

FORMAT A	CAGE CODE	DRAWING NO. S-7696-8898	REVISION A
SCALE 1 : 10	GENERATED BY: SolidWorks 2013	SHEET 1 of 1	

This drawing is the proprietary property of Electro Composites (2008) ULC, not part of the public domain, and is issued with the express understanding and agreement that it is not to be reproduced or copied in whole or in part or issued for furnishing information to others, or used directly or indirectly, in any way detrimental to the interest of Electro Composites (2008) ULC and is to be returned upon request by Electro Composites (2008) ULC. All Rights Reserved.