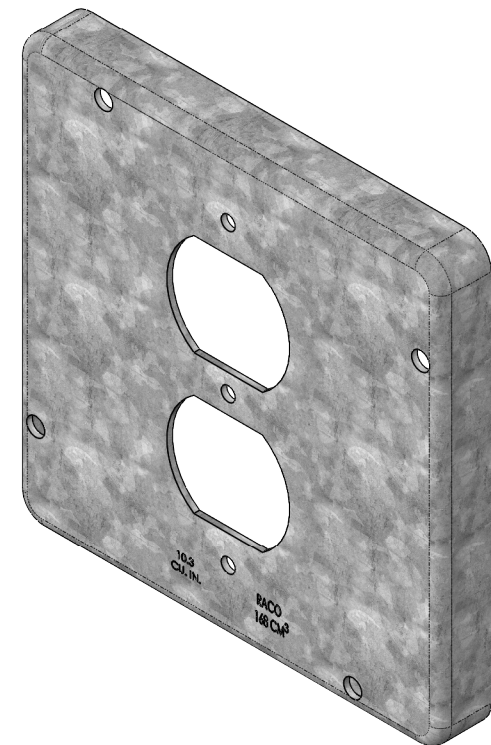
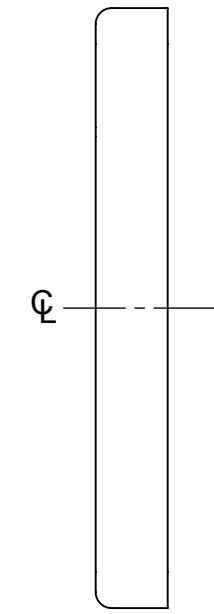
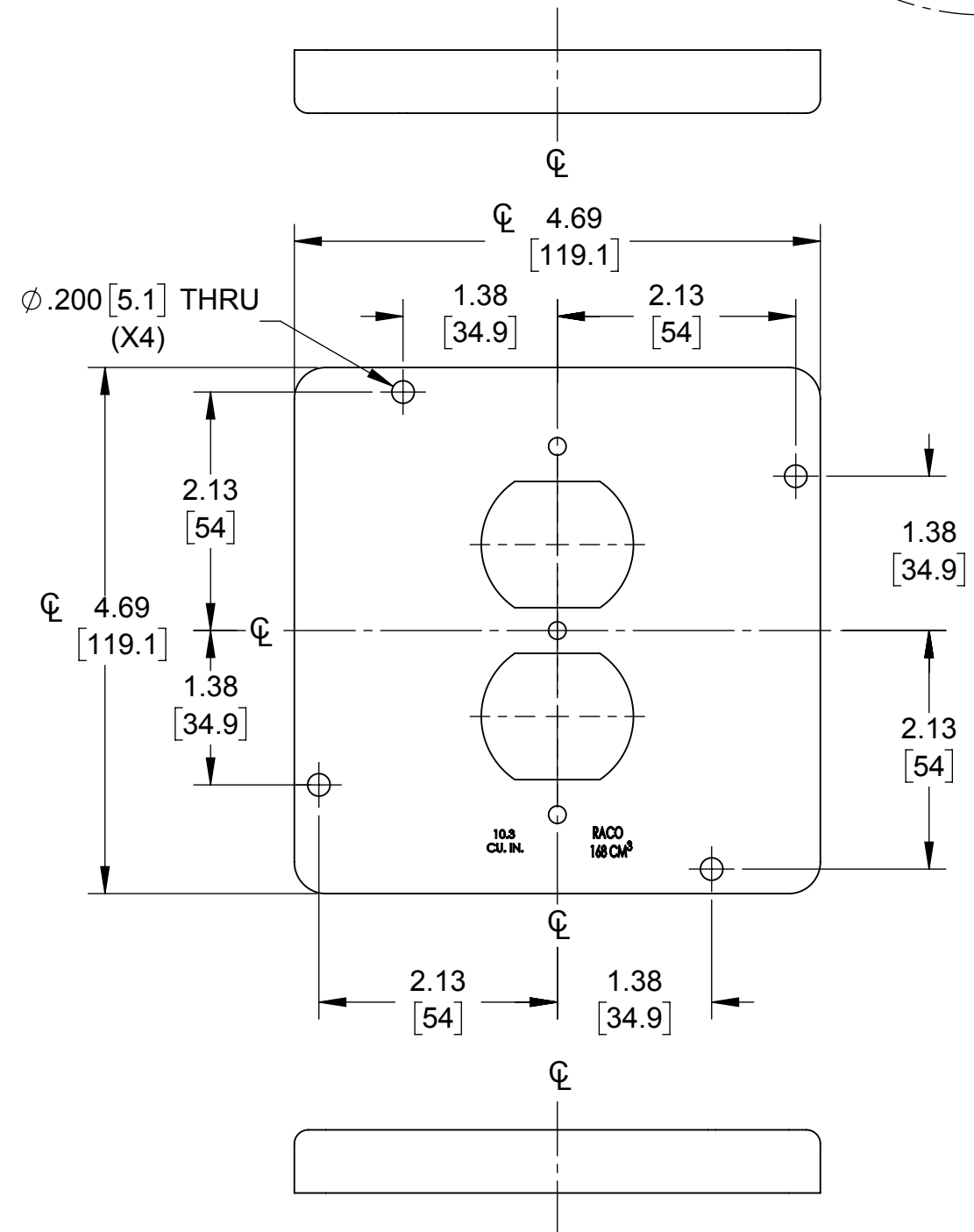
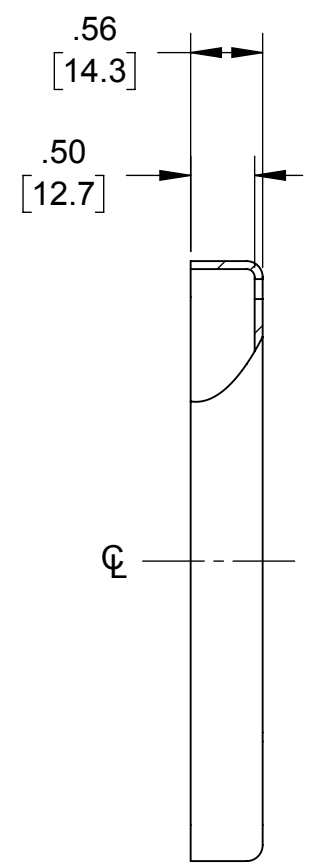
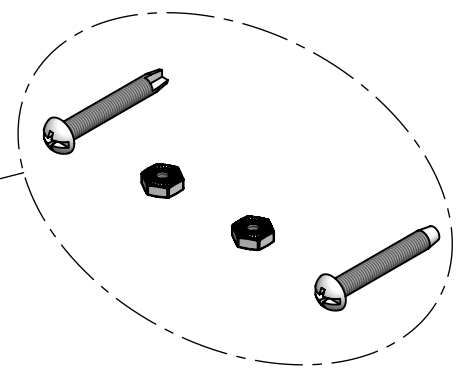


LIST OF PARTS

DESCRIPTION	MATERIAL	FINISH
COVER	STEEL	GALVANIZED
SCREWS	STEEL	GALVANIZED
NUTS	STEEL	GALVANIZED



#8-32 X 1-1/16" THREAD CUTTING MACHINE SCREWS (QTY. 2)
#8-32 NUTS (QTY. 2)



- NOTES:
 1. ALL DIMENSIONS ARE IN INCHES AND [MILLIMETERS]
 2. BOX VOLUME: 10.3 IN³ [168] CM³
 3. UL LISTED

	INITIAL RELEASE	RMV	04-27-17
SYM.	REVISION DESCRIPTION	APP	DATE

THE DESIGN AND DIMENSIONS OF THE PRODUCT SHOWN ON THIS DRAWING ARE SUBJECT TO CHANGE WITHOUT NOTICE

TITLE:
4-11/16" SQ. COVER, (1) DUPLEX

TOLERANCE UNLESS OTHERWISE SPECIFIED .XX DECIMAL ±.015 .XXX DECIMAL ±.005 ANGLE ±2°	RACO South Bend, Indiana		SCALE: 1:1.5
	DRAWN BY:	RMV	
	APP. BY:	RMV	
DATE:	04-27-17		