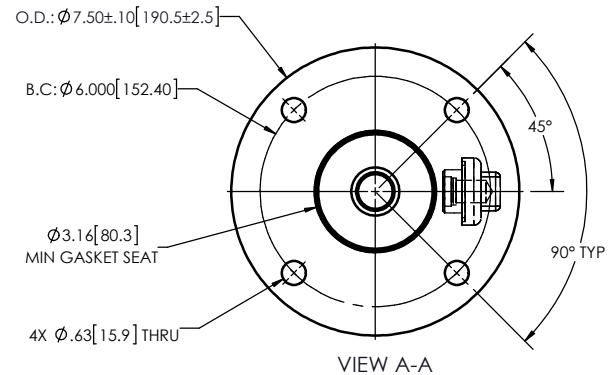
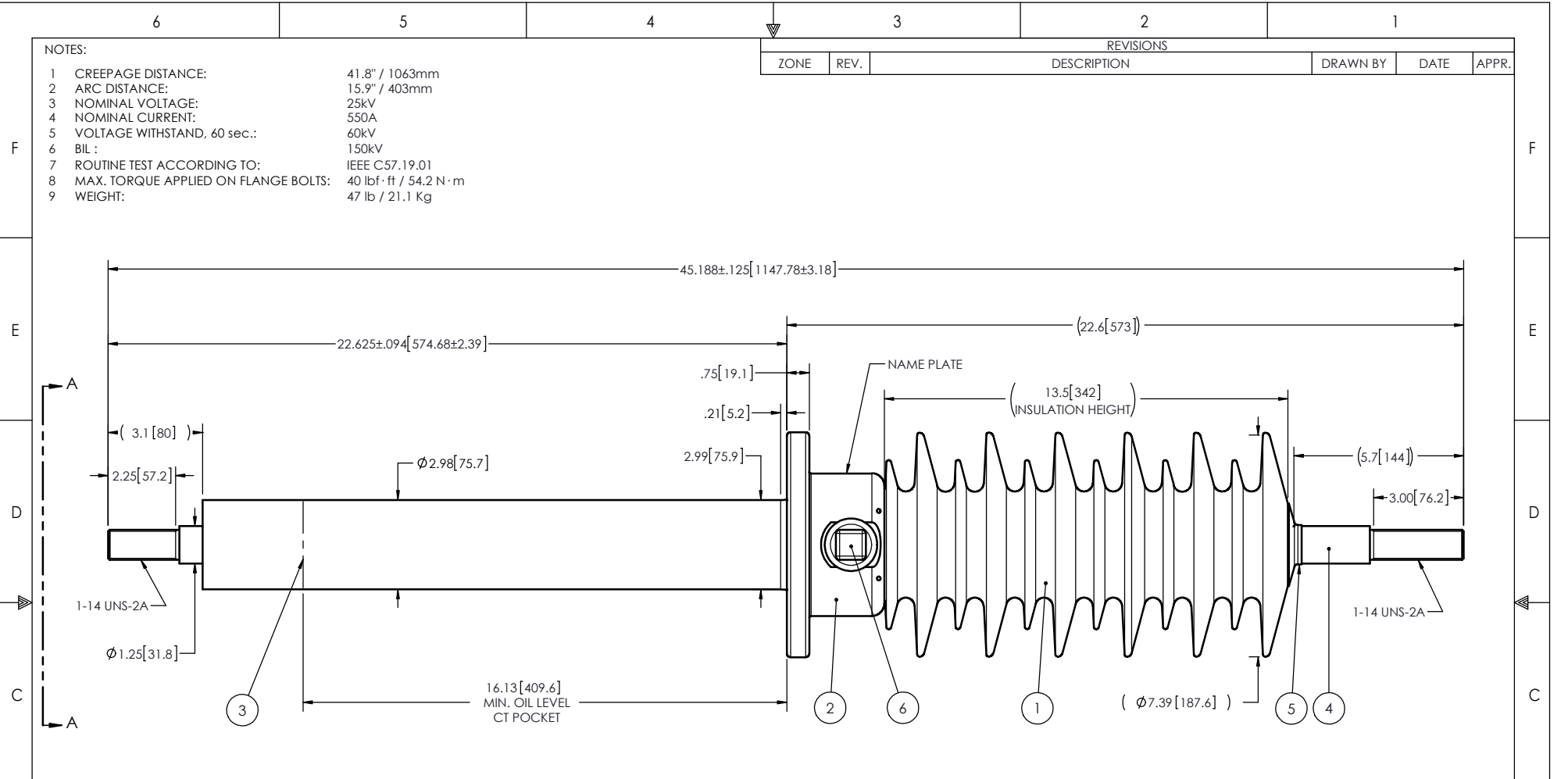


- NOTES:
- 1 CREEPAGE DISTANCE: 41.8" / 1063mm
 - 2 ARC DISTANCE: 15.9" / 403mm
 - 3 NOMINAL VOLTAGE: 25kV
 - 4 NOMINAL CURRENT: 550A
 - 5 VOLTAGE WITHSTAND, 60 sec.: 60kV
 - 6 BIL : 150kV
 - 7 ROUTINE TEST ACCORDING TO: IEEE C57.19.01
 - 8 MAX. TORQUE APPLIED ON FLANGE BOLTS: 40 lbf·ft / 54.2 N·m
 - 9 WEIGHT: 47 lb / 21.1 Kg

| REVISIONS | | | | | |
|-----------|------|-------------|----------|------|-------|
| ZONE | REV. | DESCRIPTION | DRAWN BY | DATE | APPR. |



| ITEM NO. | QTY | DRAWING NO. | PART NO. | DESCRIPTION | NOTE / MAT'L |
|----------|-----|-------------|----------|-------------------------------|--------------|
| 6 | 1 | S-1001-2022 | | CAPACITANCE TAP ASSEMBLY | ALUMINUM |
| 5 | 1 | S-1016-0008 | | CAP | COPPER |
| 4 | 1 | S-5620-9219 | | ROD ASSEMBLY | COPPER |
| 3 | 1 | S-5620-9218 | | SHIELD ASSEMBLY | COPPER |
| 2 | 1 | S-5620-9217 | | FLANGE | ALUMINUM |
| 1 | 1 | S-5620-9216 | -001 | CASTING, CYCLOALIPHATIC RESIN | EC-APG-02 |

Electro Composites™
solid HV bushings solution

TITLE: SDC® BUSHING 25kV, 550A
 MODEL: 150-005-T-976-00

GENERAL TOLERANCES (UNLESS OTHERWISE SPECIFIED)

| | |
|--------|--------|
| X. | ±0.125 |
| .X | ±0.094 |
| .XX | ±0.063 |
| .XXX | ±0.031 |
| ANGLES | ±0.25° |
| RADIUS | ±0.031 |

REMOVE BURRS AND BREAK SHARP EDGES

DIMENSIONS ARE IN INCHES (UNLESS OTHERWISE SPECIFIED)

DRAWN BY: J.N.PILOTTE DATE: 2016/10/19

CHECK BY:

PROJECTING:

PROJECT MANAGER:

SCALE: 1:5

GENERATED BY: SolidWorks 2013 SHEET: 1 of 1

REVISION: NR

This drawing is the proprietary property of Electro Composites (2008) ULC, not part of the public domain, and is issued with the express understanding and agreement that it is not to be reproduced or copied in whole or in part or issued for furnishing information to others, or used directly or indirectly, in any way detrimental to the interest of Electro Composites (2008) ULC and is to be returned upon request by Electro Composites (2008) ULC. All Rights Reserved.