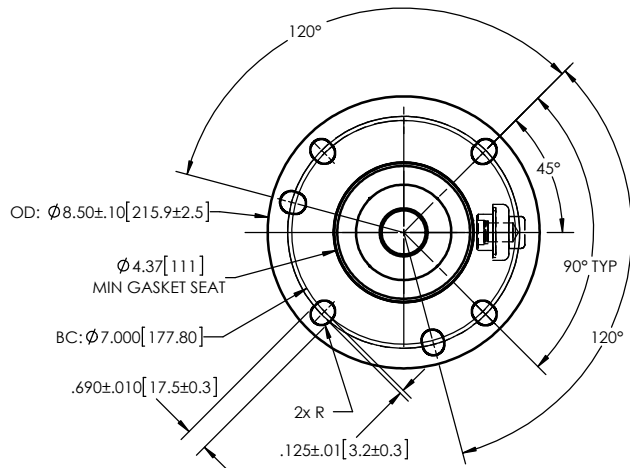
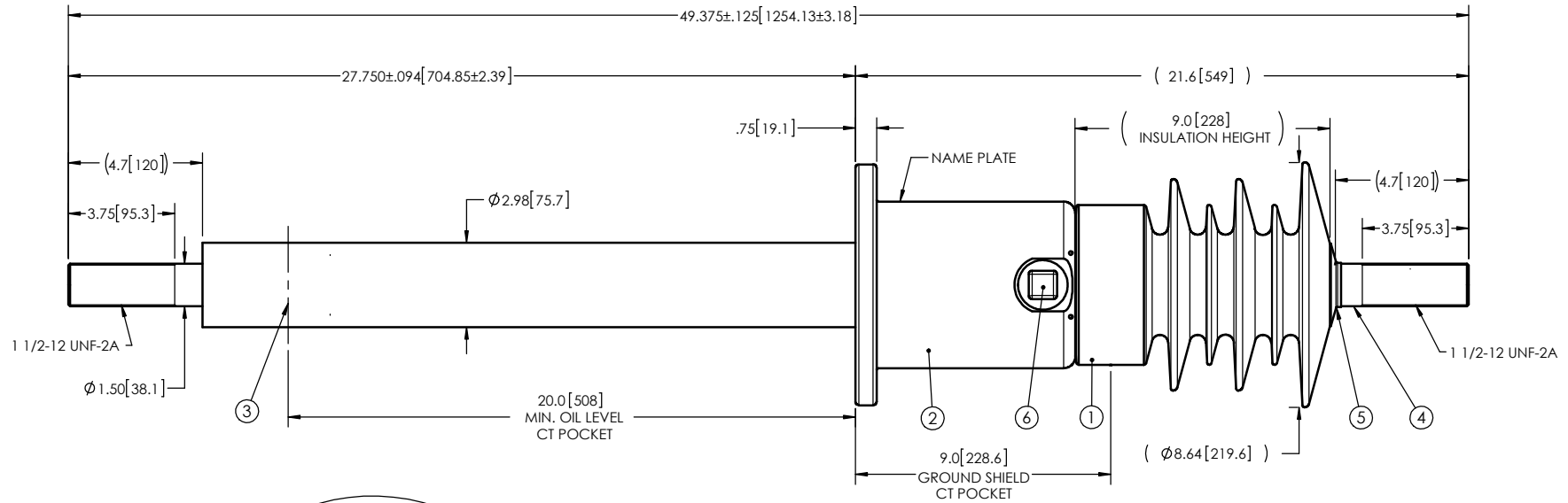


NOTES:

- 1 CREEPAGE DISTANCE: 23.6" / 600 mm
- 2 ARC DISTANCE: 11.4" / 290 mm
- 3 NOMINAL VOLTAGE: 15kV
- 4 NOMINAL CURRENT: 1600A
- 5 VOLTAGE WITHSTAND, 60 sec.: 50kV
- 6 BIL: 110 kV
- 7 ROUTINE TEST ACCORDING TO: IEEE C57.19.01
- 8 MAX. TORQUE APPLIED ON FLANGE BOLTS: 40 lbf · pi / 54.2 N · m
- 9 WEIGHT: 64 lb / 29 Kg

REVISIONS					
ZONE	REV.	DESCRIPTION	DRAWN BY	DATE	APPR.



This drawing is the proprietary property of Electro Composites (2008) ULC, not part of the public domain, and is issued with the express understanding and agreement that it is not to be reproduced or copied in whole or in part or issued for furnishing information to others, or used directly or indirectly, in any way detrimental to the interest of Electro Composites (2008) ULC and is to be returned upon request by Electro Composites (2008) ULC. All Rights Reserved.

ITEM NO.	QTY	DRAWING NO.	PART NO.	DESCRIPTION	NOTE / MAT'L
6	1	S-1001-2022		CAPACITANCE TAP ASSEMBLY	ALUMINUM
5	1	S-1001-0007		CAP	COPPER
4	1	S-1890-9385		ROD ASSEMBLY	COPPER
3	1	S-1890-9384		SHIELD ASSEMBLY	COPPER
2	1	S-1890-9383		FLANGE	ALUMINUM
1	1	S-1890-9382	-001	CASTING, CYCLOALIPHATIC RESIN	EC-APG-02

PARTS LIST

GENERAL TOLERANCES (UNLESS OTHERWISE SPECIFIED)

X.	±0.125
.X	±0.094
.XX	±0.063
.XXX	±0.031
ANGLES	±0.25°
RADIUS	±0.031

REMOVE BURRS AND BREAK SHARP EDGES

DIMENSIONS ARE IN INCHES (UNLESS OTHERWISE SPECIFIED)

Electro Composites
solid HV bushings solution

TITLE:			
SDC® BUSHING 15kV, 1600A MODEL: 110-016-T-992-00			
DRAWN BY: J.N.PILOTTE	DATE: 2017/04/26	FORMAT: A	REVISION: NR
PROJECT ENG.:	PROJECT MANAGER:	DRAWING NO.:	SHEET:
		S-1890-9382	1 of 1
SCALE: 1:6	GENERATED BY: SolidWorks 2013		