

MATERIAL:
CAST COPPER ALLOY

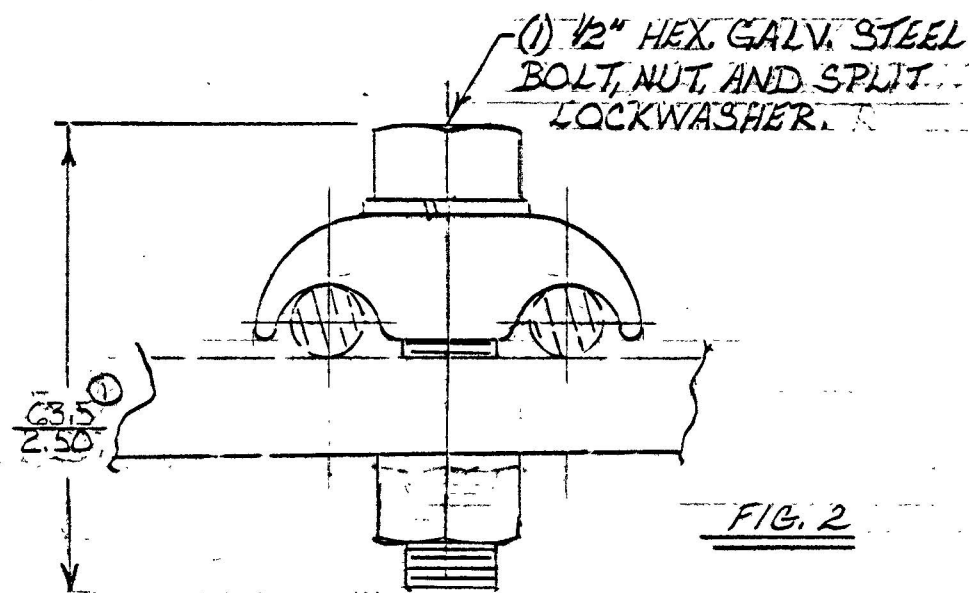
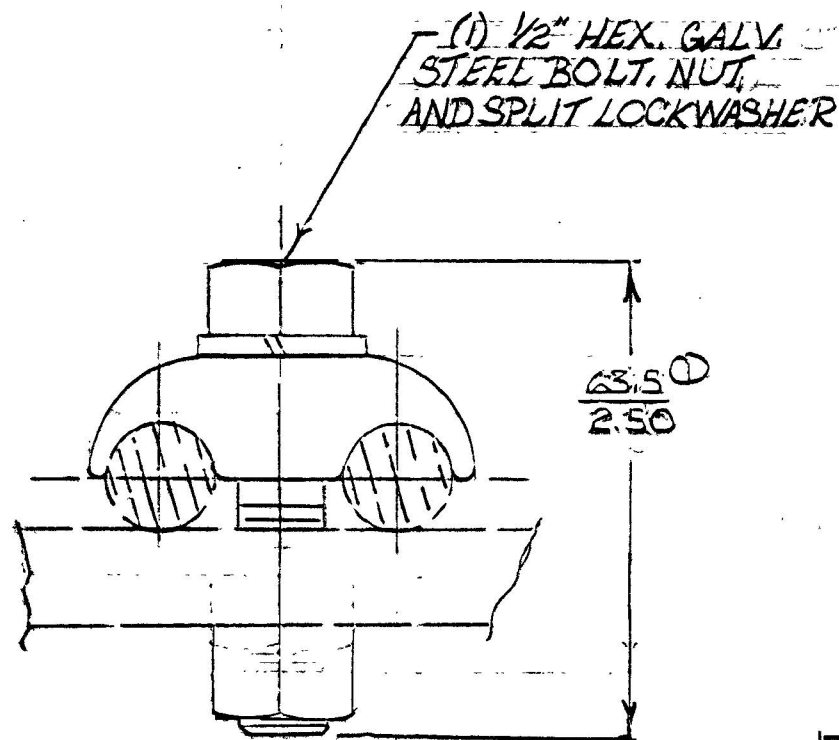
ACCOMMODATES: (2) 2/0 SOL 9,27 (365)
DIA. (FIG. 2) TO 250 MCM 14,61 (.575)
DIA. CU. CABLES.

NOMINAL BOLT INSTALLATION TORQUE:
360 IN-LBS FOR 1/2" HEX. GALV.
STEEL HDWE

MARKING: BURNDY
GCM29CG8
(2) 2/0 SOL - 250 MCM
CU. CABLES

NOTE: CONNECTOR DESIGNED
TO ACCOMMODATE (2) IDENTICAL
CABLES ONLY.

① ANT. HYDRO STOCK CODE:
722 2077:1



THIS DRAWING AND/OR SPECIFICATION IS THE
PROPERTY OF BURNDY CANADA. IT IS ISSUED
IN STRICT CONFIDENCE AND SHALL NOT BE
REPRODUCED, OR COPIED, OR DISCLOSED TO
OTHERS, OR USED AS THE BASIS FOR THE
MANUFACTURE OR SALE OF APPARATUS WITH
OUT THE PERMISSION OF THE OWNER.

COPYRIGHT. BURNDY INC. 1981

FIG. 1

FIG. 2

THIS DRAWING IS DUAL DIMENSIONED
ALL DIMENSIONS IN MILLIMETERS AND
INCHES EG. 25.4 MM
1.00 INCH
ORIGINAL DESIGN BASED ON INCH SYSTEM

THIRD ANGLE
PROJECTION

REV.	DATE	REVISION DESCRIPTION	BY	C'K'D.
(1)	3/15/82	BOLT LENGTH CHANGED, O.H. STOCK 1/4" ADDED.	R.T.	BJ

GROUND CONNECTOR	
TYPE GCM29CG8	SCALE E111.1 SCALE
DRAWN RT. 11/30/81	CHECKED B.L. 11/30/81
DWG. No. CSC26852	
 1530 BIRCHMOUNT ROAD, SCARBORO, ONTARIO	

APPROVED BY: B. Johnson 12/7/81