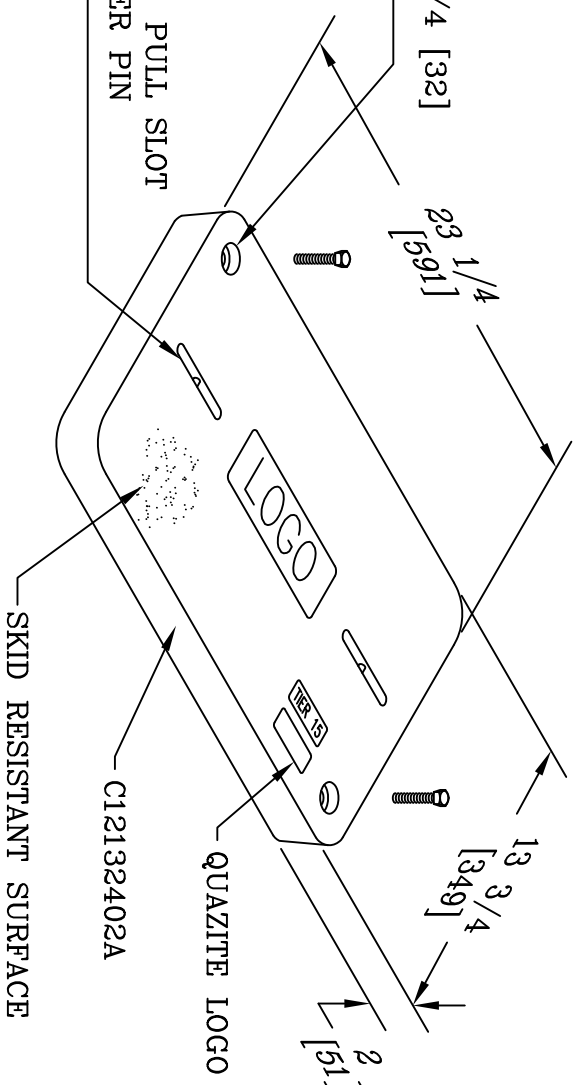
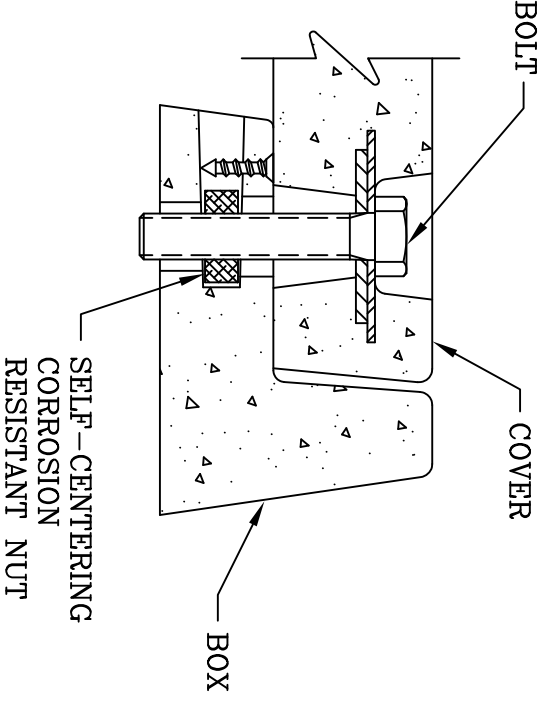


2X $\phi 5/8$ [16] THRU HOLE W/ $\phi 1 1/4$ [32]
X $1 1/2$ [13] DEEP COUNTERBORE

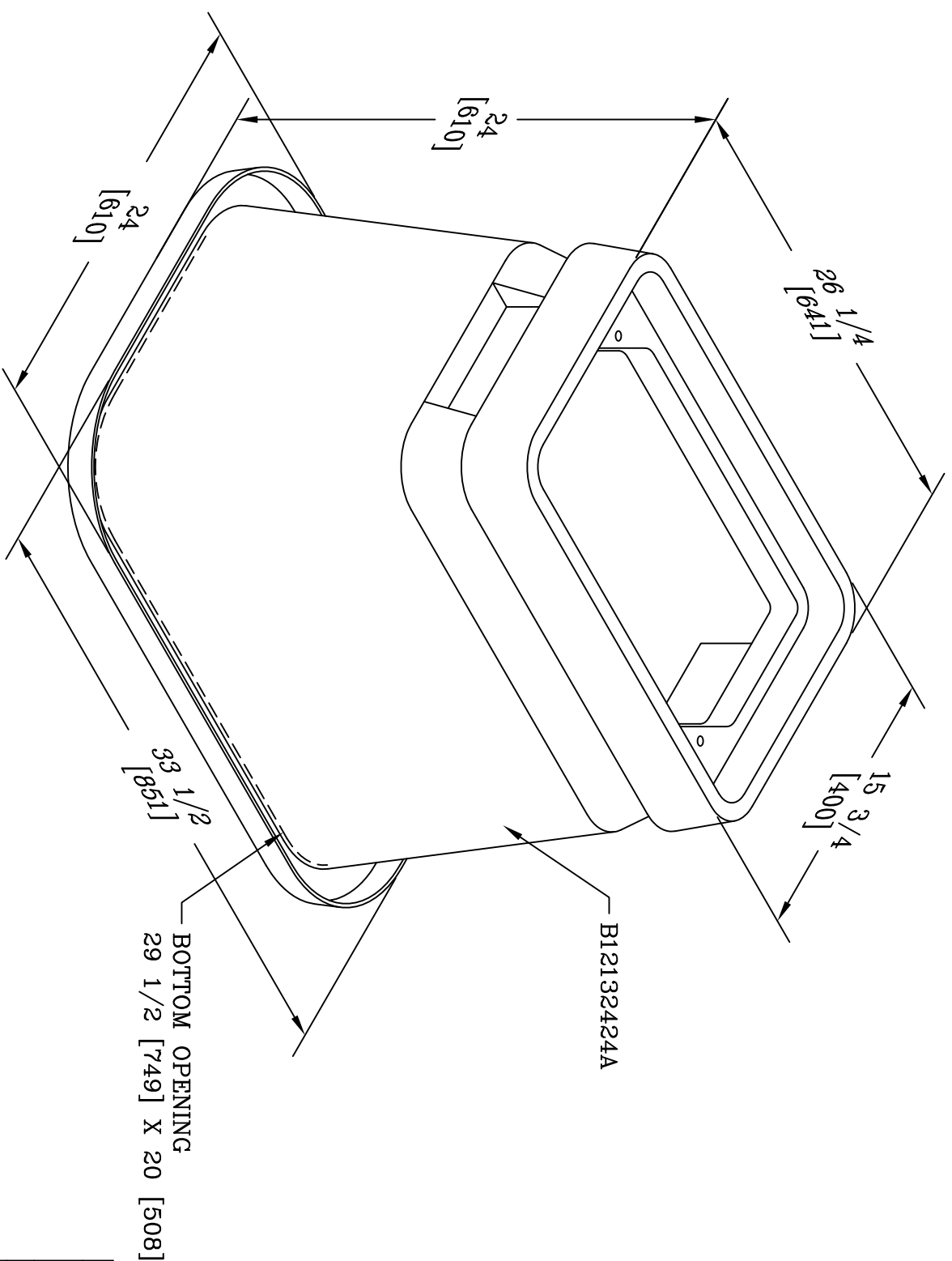
$1/2$ [13] X 4 [102] PULL SLOT
W/ $\phi 3/16$ [5] CENTER PIN
2 PLACES



$1/2$ -13 UNC SS
CAPTIVE PENTA
HEAD BOLT



BOLT DOWN DETAIL



NOTES:

1. LOGO TO BE SPECIFIED: _____.
2. THIS ASSEMBLY IS RATED FOR A STATIC DESIGN LOAD OF 15,000 LBS. [66,720 N] OVER A 10 [254] X 10 [254] AREA AND MUST PASS A MINIMUM STATIC TEST LOAD OF 22,500 LBS. [100,080 N].
3. OLD P/N: A12-1324-24

DIMENSIONS ARE IN INCHES OR MILLIMETERS IN BRACKETS UNLESS OTHERWISE NOTED.

BY		DATE		WEIGHT		 3621 INDUSTRIAL PARK DR LENOIR CITY, TN 37771 800-346-3062 www.quazite.com	LOC	
DRN	999	4/16/10	44kg	SCALE				S
CHK			NTS	DRAWING DESCRIPTION				REV
ENG			SIZE	QUAZITE® 13 X 24 X 24 ASSEMBLY				B
APR			B	STANDARD VERSION				1/14
PROJECT NUMBER				DRAWING NUMBER				
SHEET 1 OF 1				A12132424A				