

1/2 [13] X 4 [102] PULL SLOT
W/Ø1/4 [6] CENTER PIN
2 PLACES

2X Ø7/8 [22] THRU HOLE W/Ø1 3/8 [35]
X 5/8 [16] DEEP COUNTERBORE

SKID RESISTANT SURFACE

30 1/2 [775]

17 1/2 [445]

2 [51]

C12173002A

QUAZITE LOGO

19 1/2 [495]

32 1/2 [826]

BOTTOM OPENING
23 3/4 [603] X
36 3/4 [933]

B12173018A

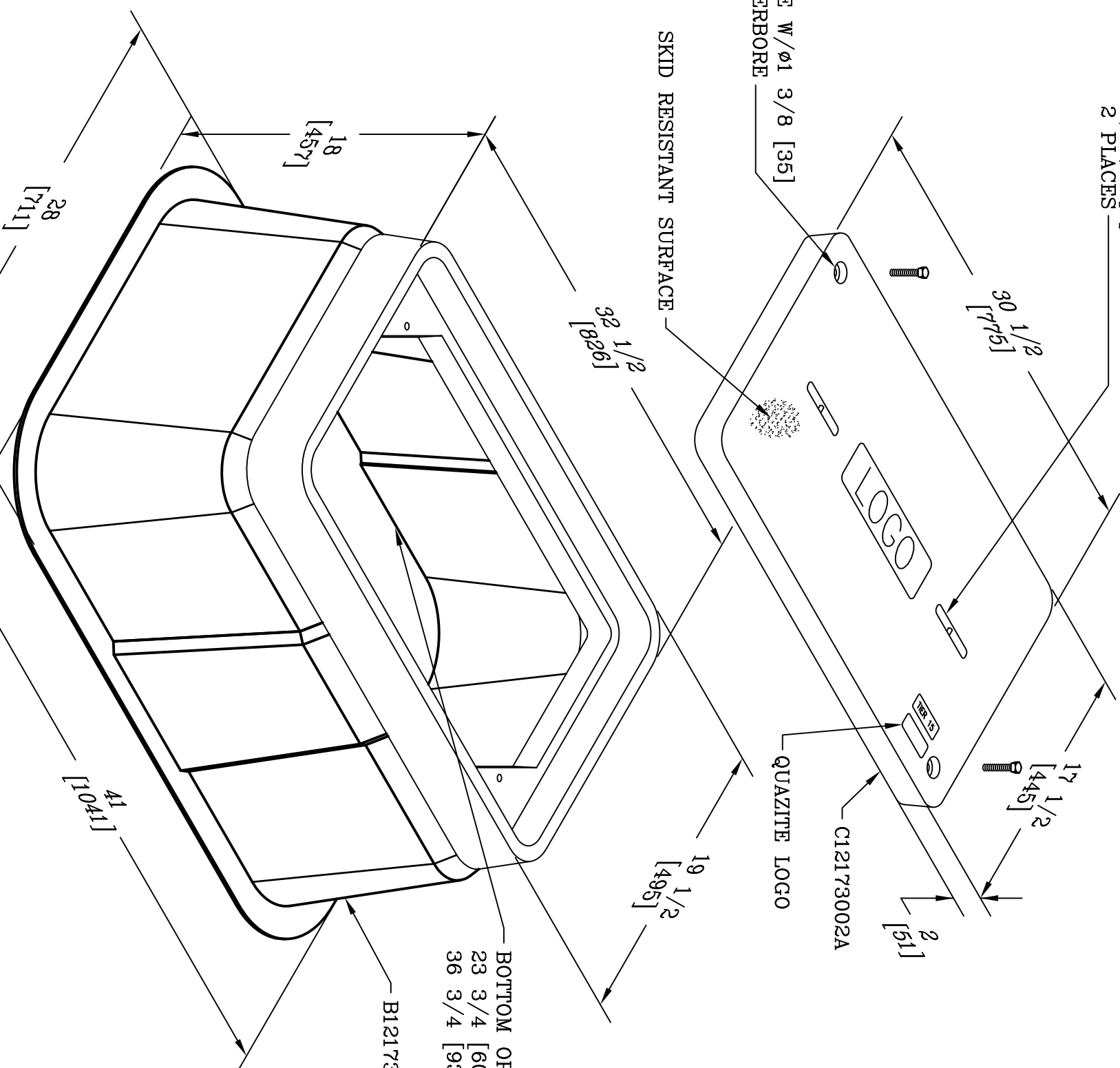
1/2-13 UNC SS
CAPTIVE PENTA
HEAD BOLT

COVER

BOX

SELF-CENTERING
CORROSION
RESISTANT NUT

BOLT DOWN DETAIL



NOTES:

1. LOGO TO BE SPECIFIED: _____.
2. THIS ASSEMBLY IS RATED FOR A STATIC DESIGN LOAD OF 15,000 LBS. [66,720 N] OVER A 10 [254] X 10 [254] AREA AND MUST PASS A MINIMUM STATIC TEST LOAD OF 22,500 LBS. [100,080 N].

DIMENSIONS ARE IN INCHES OR MILLIMETERS IN BRACKETS UNLESS OTHERWISE NOTED.

| | | | | | |
|-----------------------|----------|--------------|-------|----------------------------|------------|
| BY | DATE | WEIGHT | SCALE | DRAWING DESCRIPTION | LOC |
| RLJ | 11/12/09 | 115# 52kg | N/A | CDR™ 17 X 30 X 18 ASSEMBLY | OB |
| CHK | 3/26/10 | | M/S | | S |
| ENG | | | | | |
| APR | | | SIZE | STANDARD VERSION | REV |
| APR | | | B | | A |
| ESR OR PROJECT NUMBER | | | | DRAWING NUMBER | |
| 091278 | | | | SHEET 1 OF 1 | A12173018A |



3621 INDUSTRIAL PARK DR
LENOIR CITY, TN 37771
800-346-3062
www.quazite.com

11/09