

2X $\phi 7/8$ [22] THRU HOLE W/ $\phi 1 3/8$ [35]
X $5/8$ [16] DEEP COUNTERBORE

SKID RESISTANT SURFACE

$5/8$ [16] X 4 [102] PULL SLOT
W/ $\phi 1/4$ [6] CENTER PIN
2 PLACES

C12173002A
OLD P/N: C12-1730-02

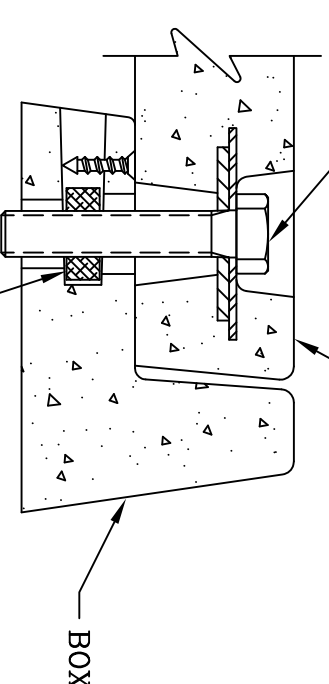
1/2-13 UNC SS
CAPTIVE PENTA
HEAD BOLT

SELF-CENTERING
CORROSION
RESISTANT NUT

COVER

BOX

BOLT DOWN DETAIL



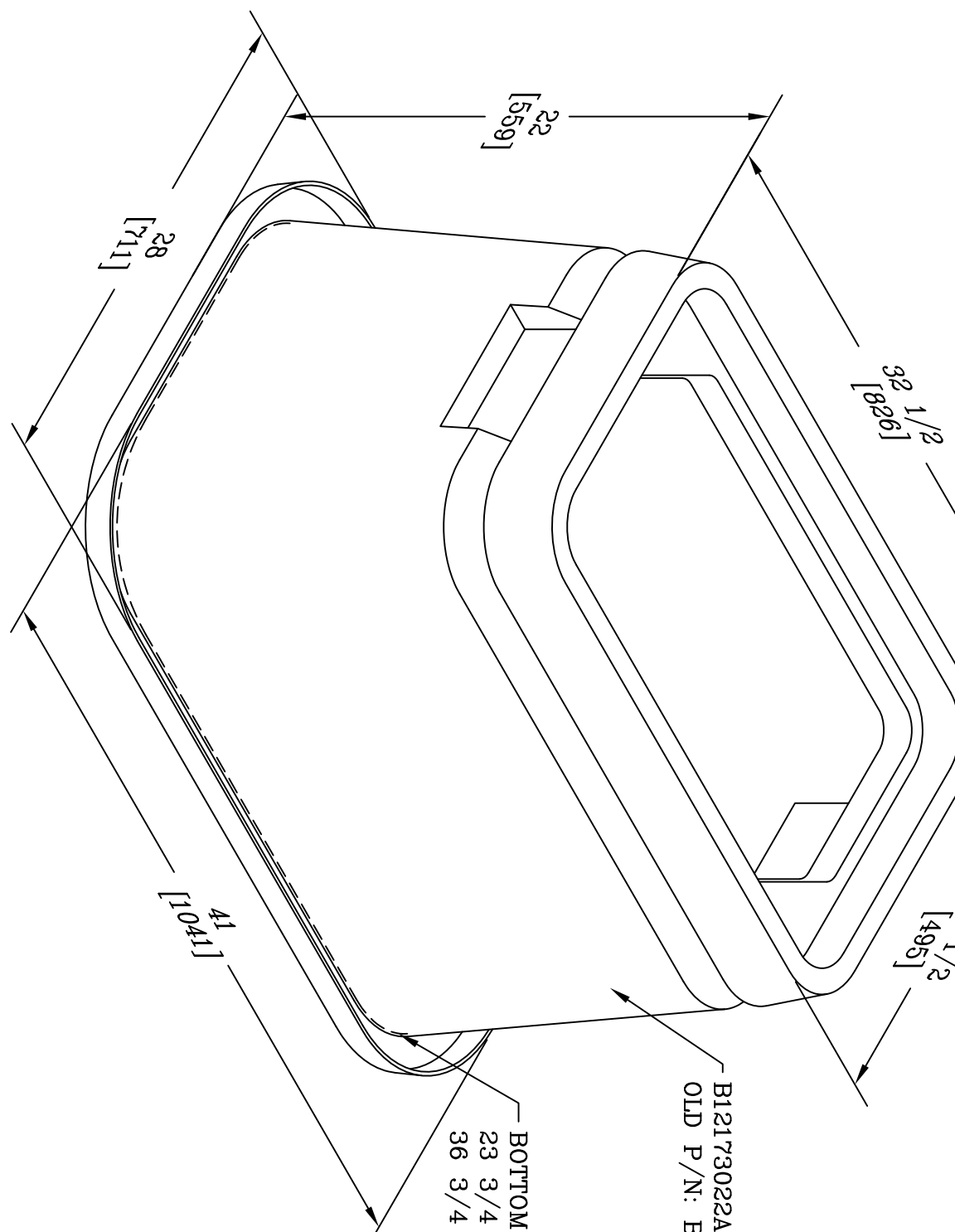
B12173022A
OLD P/N: B12-1730-22

BOTTOM OPENING
23 $3/4$ [603] X
36 $3/4$ [933]

NOTES:

1. LOGO TO BE SPECIFIED: _____.
2. THIS ASSEMBLY IS RATED FOR A STATIC DESIGN LOAD OF 15,000 LBS. [66,720 N] OVER A 10 [254] X 10 [254] AREA AND MUST PASS A MINIMUM STATIC LOAD OF 22,500 LBS. [100,080 N].
3. OLD P/N: A12-1730-22.

DIMENSIONS ARE IN INCHES OR MILLIMETERS IN BRACKETS UNLESS OTHERWISE NOTED.



BY		DATE		WEIGHT		SCALE		DRAWING DESCRIPTION		LOC	
DRN	RG	11/12/09	11/12/09	125#	57kg	NTS	NTS	CDR™ 17 X 30 X 22 ASSEMBLY	OB		
CHK	ggg	11/12/09							S		
ENG											
APR											
APR											
PROJECT NUMBER		091281		SIZE		B		STANDARD VERSION		REV	
PROJECT NUMBER		091281		SHEET		1 OF 1		DRAWING NUMBER		A12173022A	
										2/10	

3621 INDUSTRIAL PARK DR
LENOIR CITY, TN 37771
800-346-3062
www.quazite.com



LOC
OB
S
REV
B