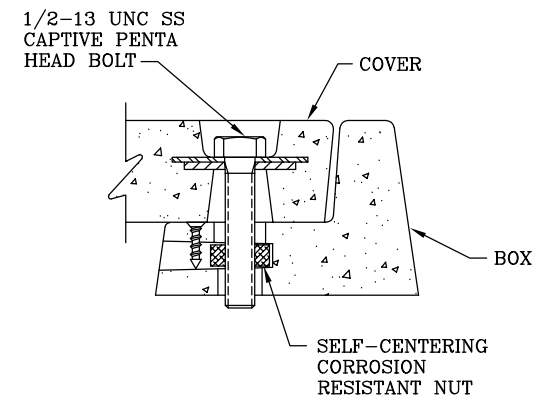
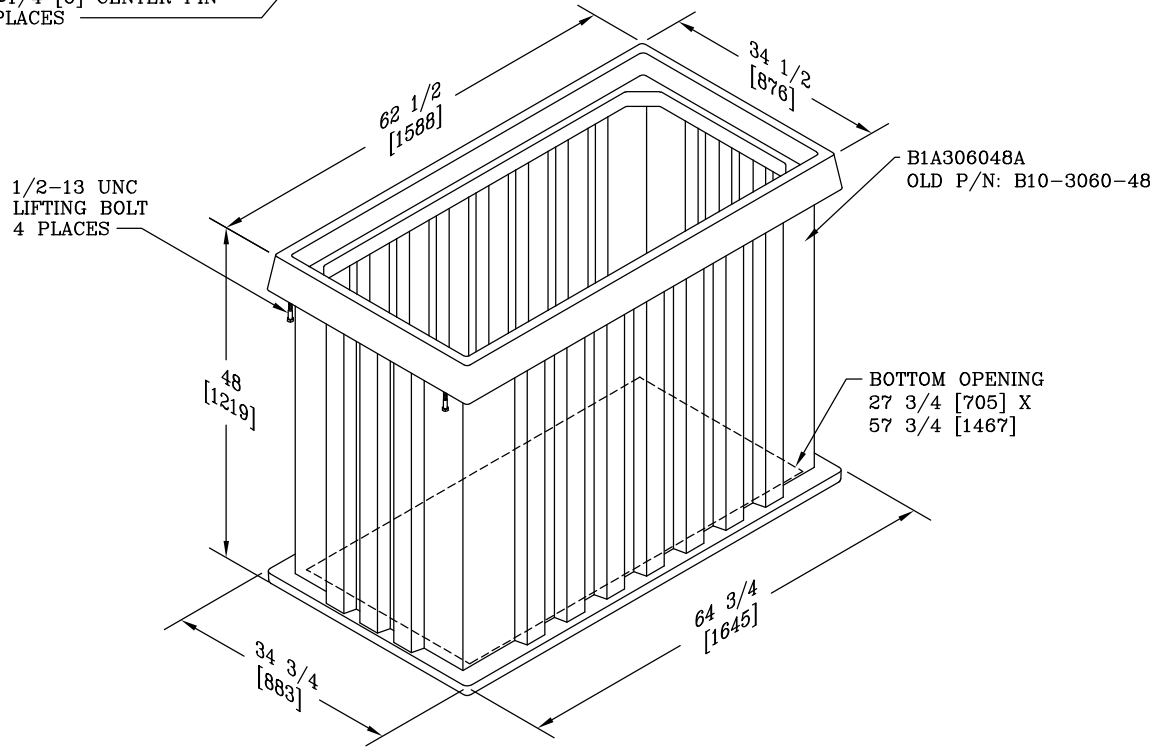


2X $\phi 7/8$ [22] THRU
W/ $\phi 1 3/8$ [35] X $5/8$ [16]
DEEP COUNTERBORE

$3/4$ [19] X 4 [102] PULL SLOT
W/ $\phi 1/4$ [6] CENTER PIN
4 PLACES



BOLT DOWN DETAIL



NOTES:

- LOGO TO BE SPECIFIED: _____.
- THIS ASSEMBLY IS RATED FOR A STATIC DESIGN LOAD OF 8,000 LBS. [35,548 N] OVER A 10 [254] X 10 [254] AREA AND MUST PASS A MINIMUM STATIC TEST LOAD OF 12,000 LBS. [53,376 N]
- OLD P/N: A10-3060-48

DIMENSIONS ARE IN INCHES OR MILLIMETERS IN BRACKETS UNLESS OTHERWISE NOTED.				HUBBELL		LOC
DRN	BY	DATE	WEIGHT	3621 INDUSTRIAL PARK DR		OB
CHK	999	4/13/10	494#	LENOIR CITY, TN 37771		S
ENG			224kg	800-346-3062		
APR			SCALE	www.quazite.com		REV
APR			NTS	DRAWING DESCRIPTION		B
			SIZE	CDR™ 30 X 60 X 48 ASSEMBLY		
			B	STANDARD VERSION		7/10
ESR OR PROJECT NUMBER				DRAWING NUMBER		
				A1A306048A		
SHEET 1 OF 1						