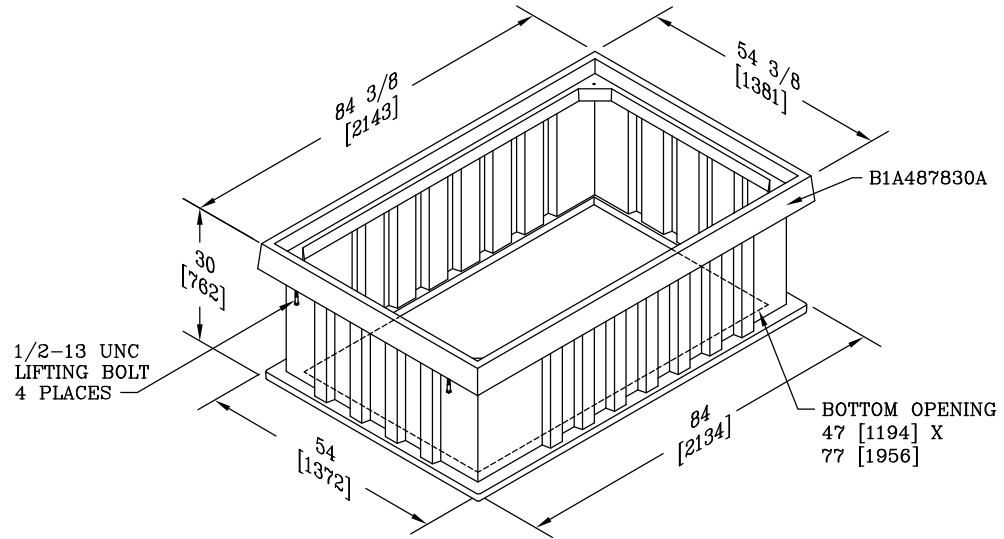


BOLT DOWN DETAIL



NOTES:

1. LOGO TO BE SPECIFIED: _____.
2. THIS ASSEMBLY IS RATED FOR A STATIC DESIGN LOAD OF 8,000 LBS. [35,548 N] OVER A 10 [254] X 10 [254] AREA AND MUST PASS A MINIMUM STATIC TEST LOAD OF 12,000 LBS. [53,376 N]

DIMENSIONS ARE IN INCHES OR MILLIMETERS IN BRACKETS UNLESS OTHERWISE NOTED.			
DRN	BY JJP	DATE 4/14/10	WEIGHT 735# 333kg
CHK			SCALE NTS
ENG			SIZE B
APR			
APR			
ESR OR PROJECT NUMBER		DRAWING NUMBER	
		SHEET 1 OF 1	A1A487830A

3621 INDUSTRIAL PARK DR
LENOIR CITY, TN 37771
800-346-3062
www.quazite.com