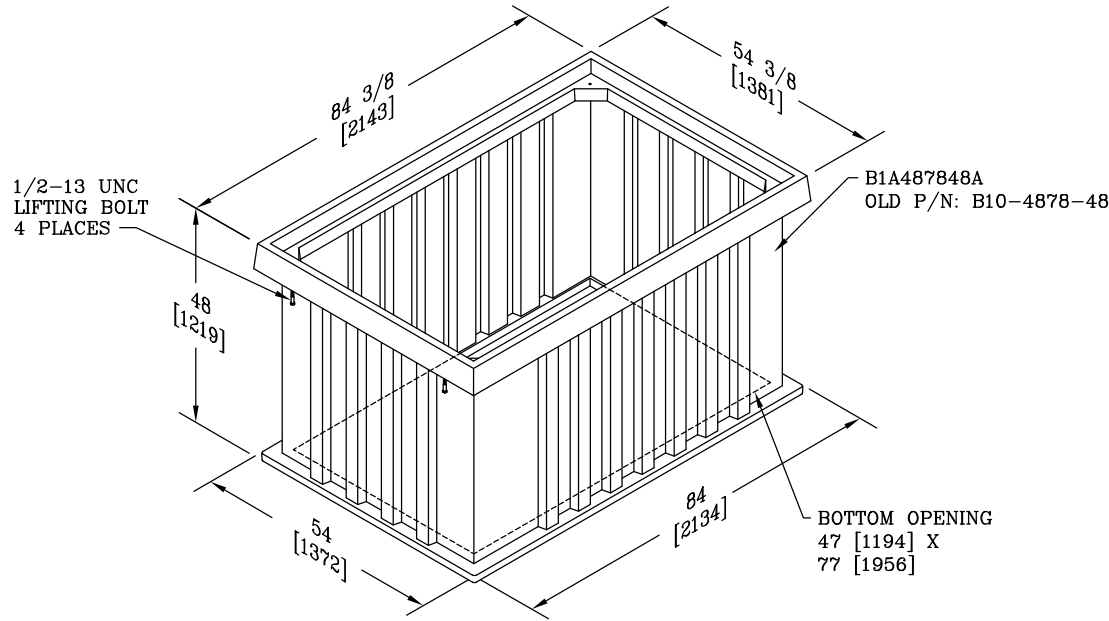


BOLT DOWN DETAIL



NOTES:

1. LOGO TO BE SPECIFIED: _____
2. THIS ASSEMBLY IS RATED FOR A STATIC DESIGN LOAD OF 8,000 LBS. [35,548 N] OVER A 10 [254] X 10 [254] AREA AND MUST PASS A MINIMUM STATIC TEST LOAD OF 12,000 LBS. [53,376 N]
3. OLD P/N: A10-4878-48

DIMENSIONS ARE IN INCHES OR MILLIMETERS IN BRACKETS UNLESS OTHERWISE NOTED.				HUBBELL		LOC
DRN	BY	DATE	WEIGHT	3621 INDUSTRIAL PARK DR		OB
	999	4/14/10	783# 355kg	LENOIR CITY, TN 37771		S
CHK			SCALE	800-346-3062		
ENG			NTS	www.quazite.com		
APR			SIZE	DRAWING DESCRIPTION		REV
APR			B			CDR™ 48 X 78 X 48 ASSEMBLY
ESR OR PROJECT NUMBER				STANDARD VERSION		7/10
				DRAWING NUMBER		
SHEET 1 OF 1				A1A487848A		