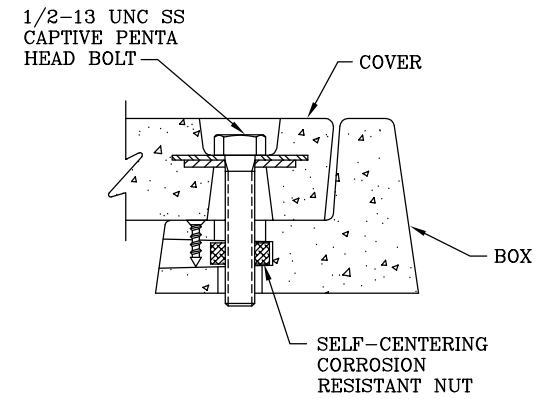
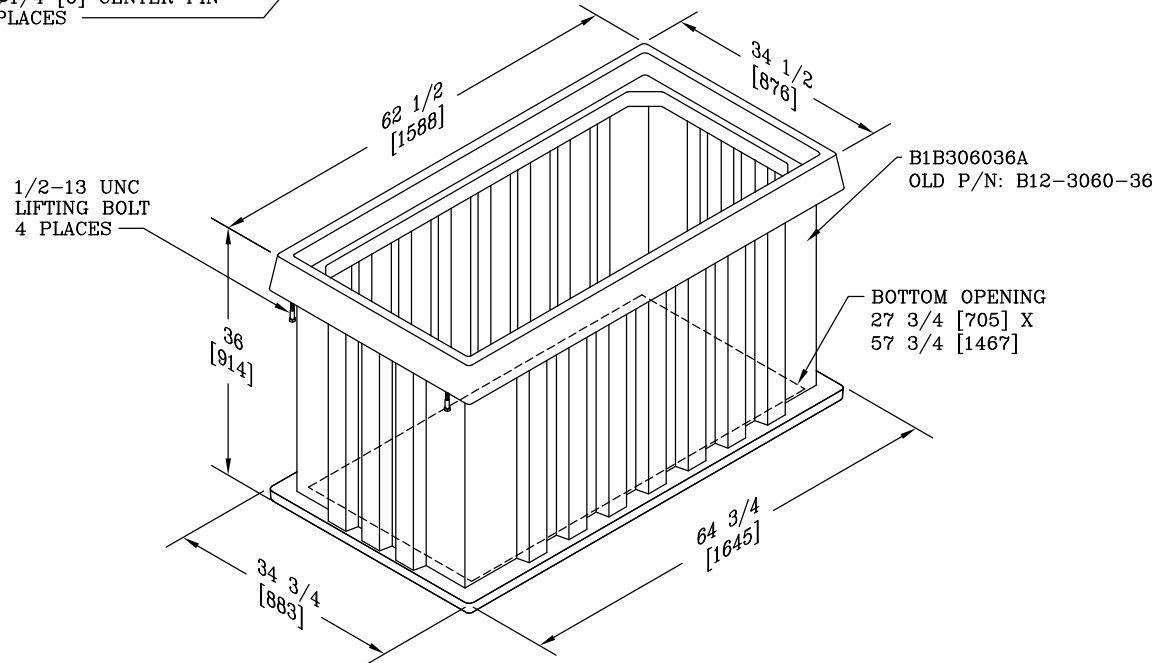


2X  $\phi$ 7/8 [22] THRU  
W/ $\phi$ 1 3/8 [35] X 1/2 [13]  
DEEP COUNTERBORE

3/4 [19] X 4 [102] PULL SLOT  
W/ $\phi$ 1/4 [6] CENTER PIN  
4 PLACES



**BOLT DOWN DETAIL**



1/2-13 UNC  
LIFTING BOLT  
4 PLACES

**NOTES:**

- LOGO TO BE SPECIFIED: \_\_\_\_\_
- THIS ASSEMBLY IS RATED FOR A STATIC DESIGN LOAD OF 15,000 LBS. [66,720 N] OVER A 10 [254] X 10 [254] AREA AND MUST PASS A MINIMUM STATIC TEST LOAD OF 22,500 LBS. [100,080 N]
- OLD P/N: A12-3060-36

DIMENSIONS ARE IN INCHES OR MILLIMETERS IN BRACKETS UNLESS OTHERWISE NOTED.			
DRN	BY	DATE	WEIGHT
	ggp	4/13/10	531# 241kg
CHK			SCALE
ENG			NTS
APR			SIZE
APR			B
ESR OR PROJECT NUMBER		DRAWING NUMBER	
		SHEET 1 OF 1	A1B306036A

3621 INDUSTRIAL PARK DR  
LENOIR CITY, TN 37771  
800-346-3062  
www.quazite.com

DRAWING DESCRIPTION  
CDR™ 30 X 60 X 36 ASSEMBLY  
STANDARD VERSION

LOC  
OB  
S

REV  
B  
7/10