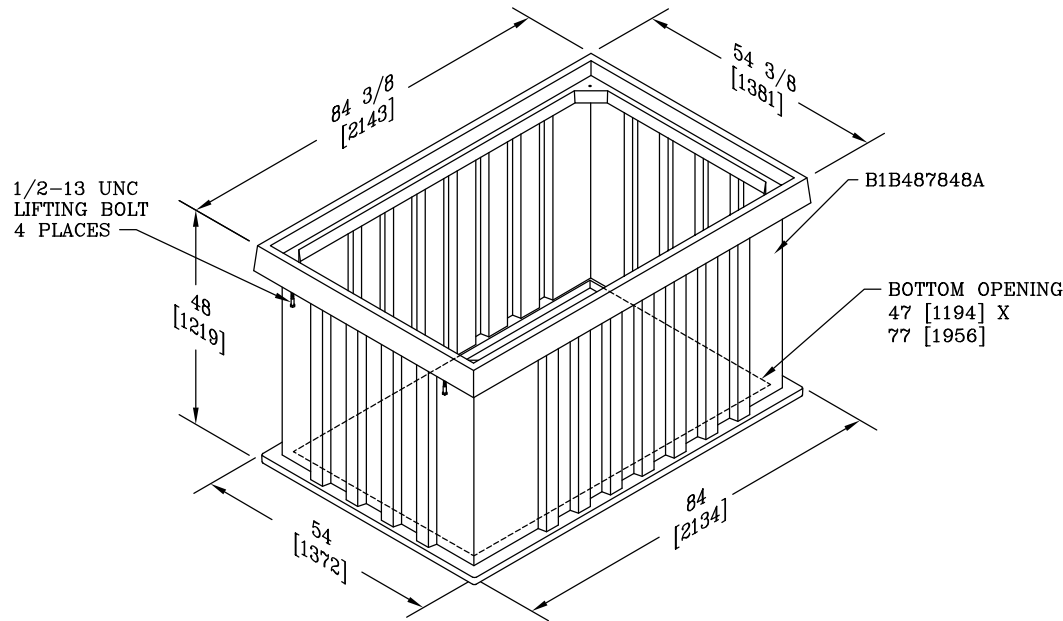


BOLT DOWN DETAIL



NOTES:

- LOGO TO BE SPECIFIED: _____.
- THIS ASSEMBLY IS RATED FOR A STATIC DESIGN LOAD OF 15,000 LBS. [66,723 N] OVER A 10 [254] X 10 [254] AREA AND MUST PASS A MINIMUM STATIC TEST LOAD OF 22,500 LBS. [100,080 N].

DIMENSIONS ARE IN INCHES OR MILLIMETERS IN BRACKETS UNLESS OTHERWISE NOTED.				HUBBELL		LOC
DRN	BY	DATE	WEIGHT	3621 INDUSTRIAL PARK DR		LC
	JJP	4/14/10	902#	LENOIR CITY, TN 37771		S
CHK			409kg	800-346-3062		REV
ENG			SCALE	www.quazite.com		B
APR			NTS	DRAWING DESCRIPTION		7/10
APR			SIZE	QUAZITE® ASSEMBLY		
ESR OR PROJECT NUMBER				DRAWING NUMBER		
				A1B487848A		
				SHEET 1 OF 1		