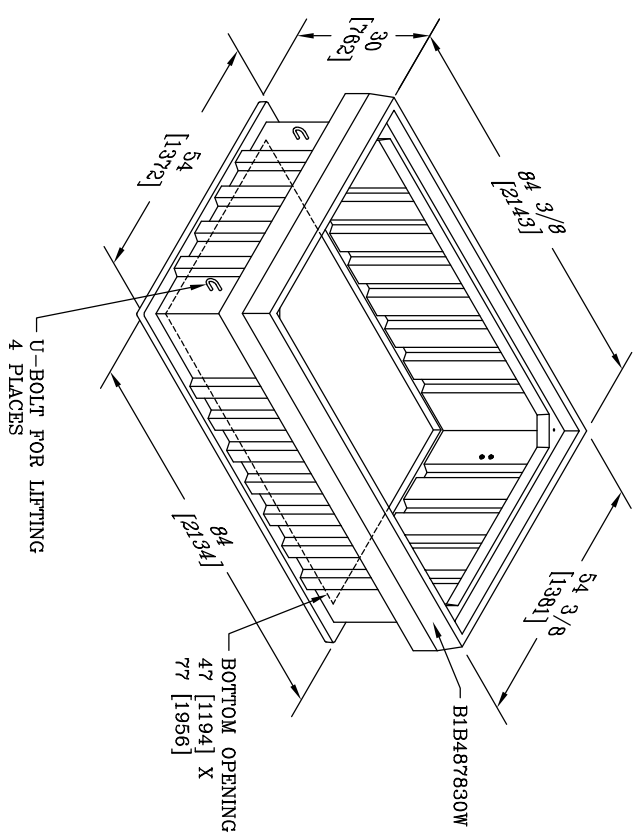


**ADJUST-TO-GRADE
DETAIL**
(SHOWN FULLY EXTENDED)

BOLT DOWN DETAIL



CUSTOMER APPROVAL
APPROVED BY: _____
DATE: _____

NOTES:

1. CUSTOMER IS: _____
LOGO TO BE SPECIFIED: _____.
2. THIS ASSEMBLY IS RATED FOR A STATIC DESIGN LOAD OF 15,000 LBS. [66,723 N] OVER A 10 [254] X 10 [254] AREA AND MUST PASS A MINIMUM STATIC TEST LOAD OF 22,500 LBS. [100,080 N].

DIMENSIONS ARE IN INCHES OR MILLIMETERS IN BRACKETS UNLESS OTHERWISE NOTED.		WEIGHT		LOC	
BY	DATE	854#	3621 INDUSTRIAL PARK DR	OB	
399	11/20/10	387kg	LENOIR CITY, TN 37771	S	
CHK	SCALE	NTS	www.quazite.com	REV	
M&S	11/22/10			A	
APP	SIZE				
	B				
ESR OR PROJECT NUMBER	DRAWING NUMBER				
102394	A1B4878500				
SHEET 1 OF 1					