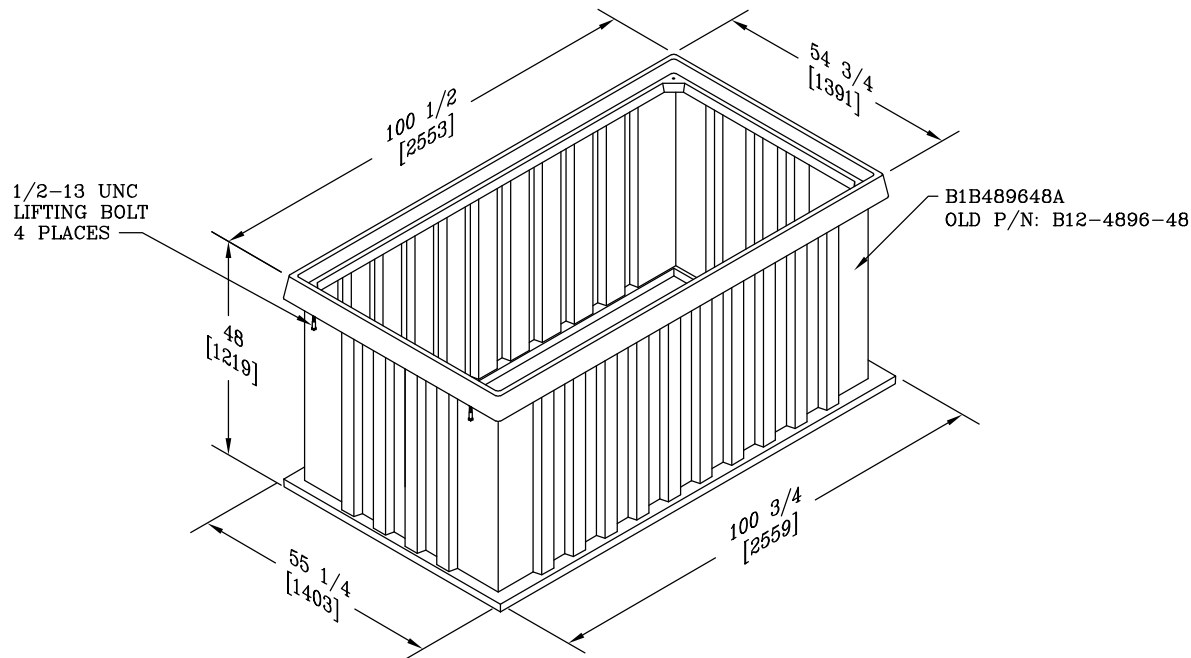


BOLT DOWN DETAIL



NOTES:

1. LOGO TO BE SPECIFIED: _____.
2. THIS ASSEMBLY IS RATED FOR A STATIC DESIGN LOAD OF 15,000 LBS. [66,723 N] OVER A 10 [254] X 10 [254] AREA AND MUST PASS A MINIMUM STATIC TEST LOAD OF 22,500 LBS. [100,080 N].
3. OLD P/N: A12-4896-48

DIMENSIONS ARE IN INCHES OR MILLIMETERS IN BRACKETS UNLESS OTHERWISE NOTED.				HUBBELL		LOC
DRN	BY	DATE	WEIGHT	3621 INDUSTRIAL PARK DR LENOIR CITY, TN 37771 800-346-3062 www.quazite.com		OB
CHK	999	8/27/10	1251# 567kg			S
ENG			SCALE	DRAWING DESCRIPTION CDR™ 48 X 96 X 48 ASSEMBLY		REV
APR			NTS			A
APR			SIZE			
ESR OR PROJECT NUMBER				DRAWING NUMBER		8/10
101819				A1B489648A		
SHEET 1 OF 1						