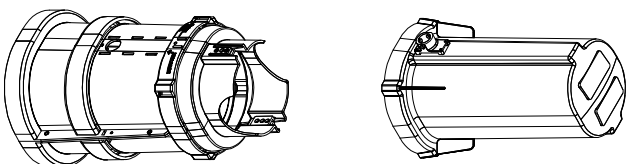
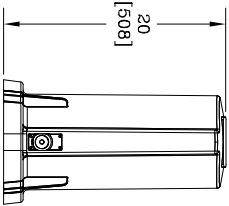
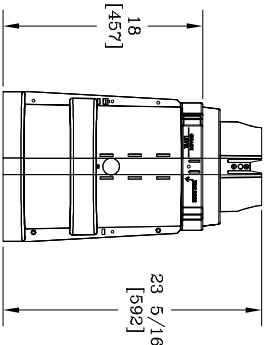
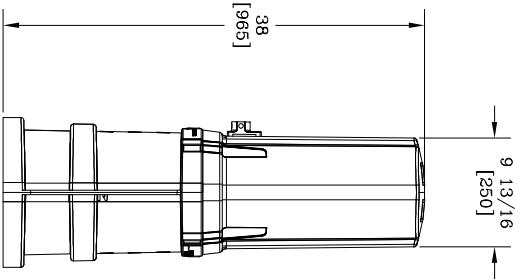
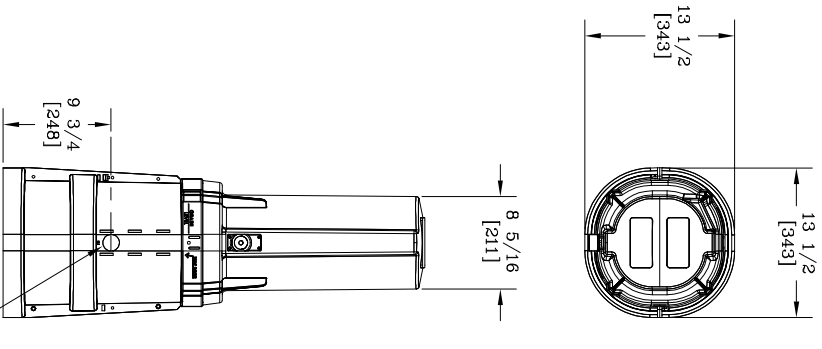



Ø 1 1/2 [38] TEMPORARY SERVICE DOOR



NOTES:

1. BASE IS HDPE STRUCTURAL FOAM AND PEDESTAL IS LDPE ROTOMOLDING.
2. COLOR TO BE MUNSIELE GREEN.
3. DOUBLE LOCKING HASP.
4. LOCKING HARDWARE TO BE STAINLESS STEEL.

CUSTOMER APPROVAL
 APPROVED BY: _____
 DATE: _____

| | | | |
|---|---------|--|---------|
| DIMENSIONS ARE IN INCHES OR MILLIMETERS IN BRACKETS UNLESS OTHERWISE NOTED. | |  540 E. HILLSH ROAD ROCKY MOUNT, NC 27854 800-257-3448 WWW.PENCEL.COM | |
| BY | DATE | WEIGHT | REV |
| RJ | 8/18/14 | 12# 5.4 kg | 1C S |
| CHKD | | SCALE | REV |
| APPV | | 1"=1' | A |
| DATE | | B | 8/14 |
| PROJECT NUMBER | | DRAWING NUMBER | |
| SHEET 1 OF 1 | | AC8830HD | |