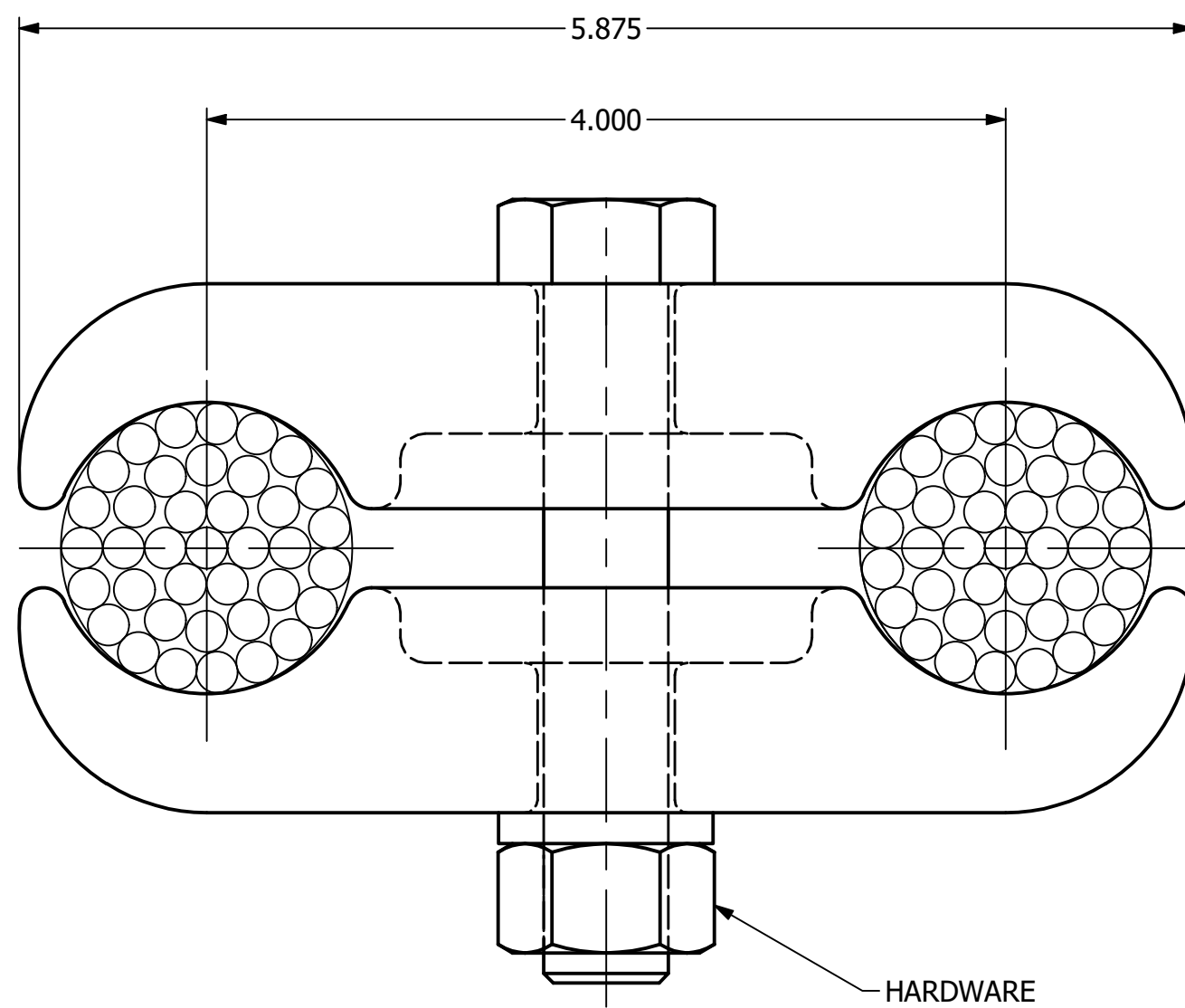
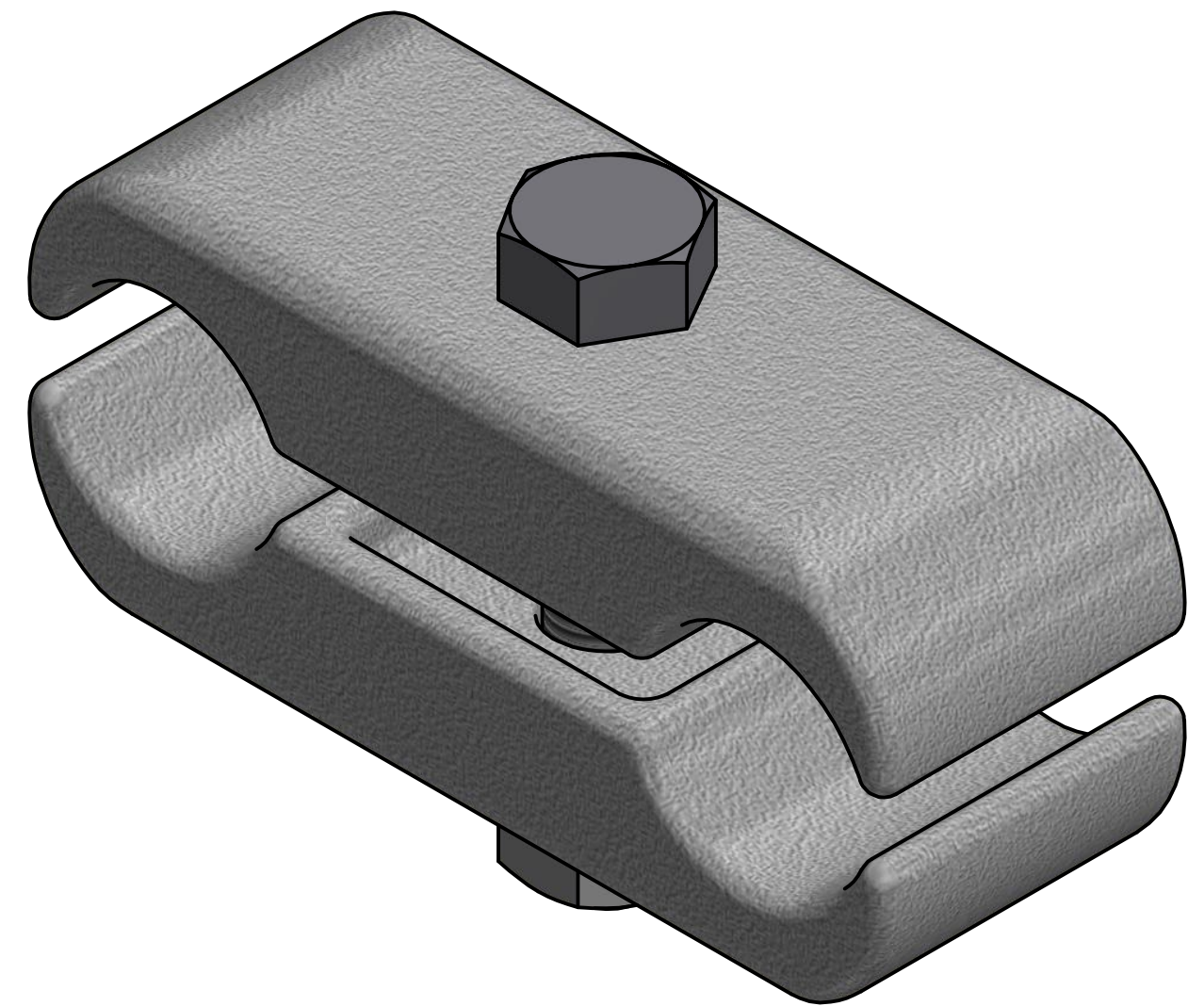


ALUMINUM CONDUCTOR RANGE
 AAC: 1250-1600 MCM
 ACSR: 1113-1272 MCM



HARDWARE



[ACCESS 3D PDF
CLICK HERE](#)

NOTES:

1. MATERIAL: CASTING & HARDWARE: ALUMINUM ALLOY
2. DIMENSIONS IN INCHES.
3. FOR SUBSTATION USE ONLY, DO NOT USE FOR OVERHEAD TRANSMISSION LINES.
4. ACCESS STP FILE AND 3D PDF IN ATTACHMENT MENU

--		--	WV	HG	 THIRD ANGLE PROJECTION	 HUBBELL POWER SYSTEMS, Inc.
EC #	DATE	CHANGED BY	CHECKED BY	APPROVED BY		
DESCRIPTION:				WEIGHT, LBS	TITLE	
INITIAL RELEASE				1.84	CABLE SPACER	
					1250-1600 MCM AL. OR 1113-1272 ACSR ON 4" CENTERS	
					CATALOG NUMBER: APCS154	
SIZE	DWG NO.	PART / ASSY NO.		REV		
C	CUTSHEET	--		A		
SCALE: NS	DRN BY: AK	DATE: 12/7/2020	SHEET 1 OF 1			

PRELIMINARY ONLY

ADDITIONAL COMMENTS: --

CONFIDENTIAL:
 THIS DRAWING AND ITS CONTENTS ARE
 CONFIDENTIAL AND THE EXCLUSIVE
 PROPERTY OF HUBBELL POWER SYSTEMS. NO
 PUBLICATION, DISTRIBUTION OR COPIES MAY
 BE MADE WITHOUT THE WRITTEN CONSENT
 OF HUBBELL POWER SYSTEMS. HUBBELL
 POWER SYSTEMS UNPUBLISHED ALL RIGHTS
 RESERVED UNDER THE COPYRIGHT LAWS