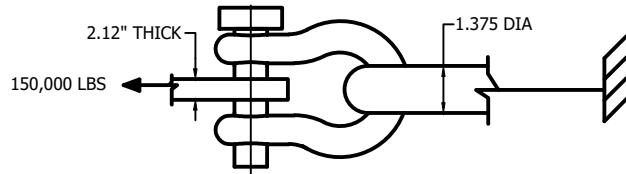
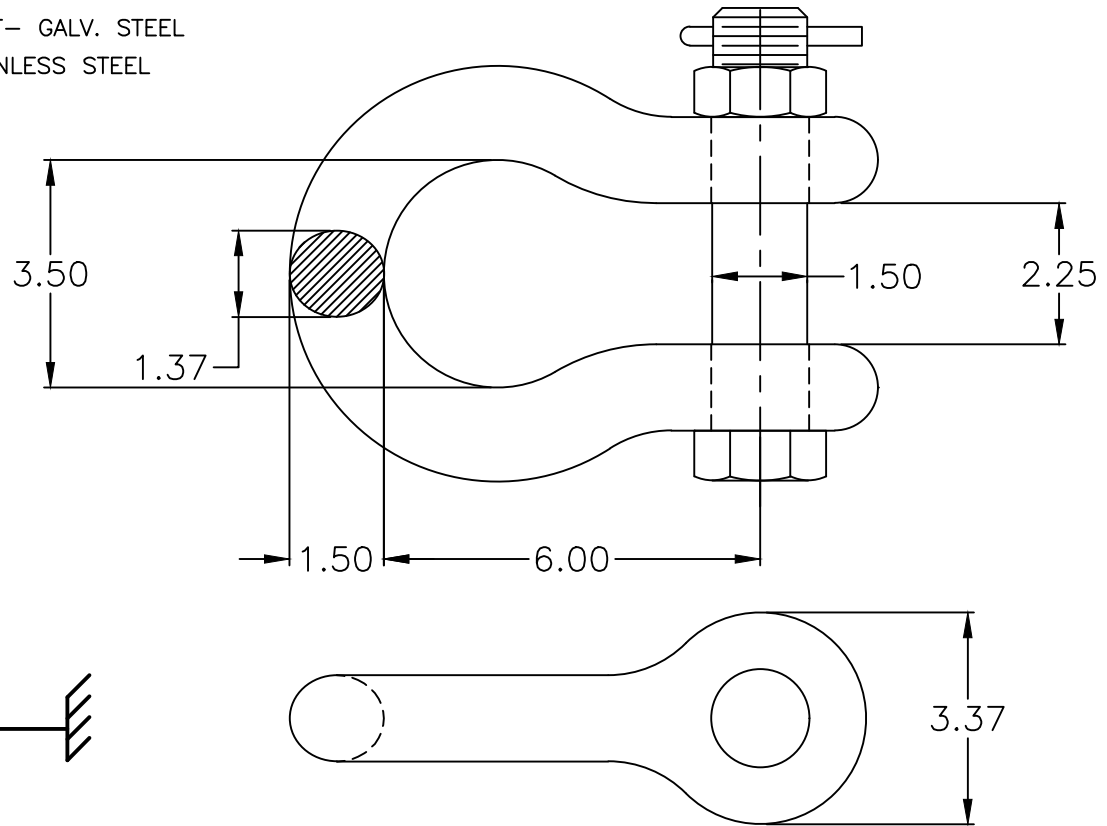


NOTES

1. MATERIAL: SHACKLE BODY--GALV. FORGED STEEL
 CLEVIS BOLT AND HEX JAM NUT-- GALV. STEEL
 SPREAD TYPE COTTER PIN--STAINLESS STEEL
2. DIMENSIONS ARE IN INCHES
3. APPROXIMATE WEIGHT: 15.75 LB



ULT . LOAD DIAGRAM

EC #	DATE	CHG BY	RESP ENG	ANDERSON TOLERANCE CHART		HUBBELL® POWER SYSTEMS					
---	---	---	---	CONFIDENTIAL: THIS DRAWING AND ITS CONTENTS ARE CONFIDENTIAL AND THE EXCLUSIVE PROPERTY OF HUBBELL POWER SYSTEMS. NO PUBLICATION, DISTRIBUTION OR COPIES MAY BE MADE WITHOUT THE WRITTEN CONSENT OF HUBBELL POWER SYSTEMS. HUBBELL POWER SYSTEMS UNPUBLISHED ALL RIGHTS RESERVED UNDER THE COPYRIGHT LAWS.		TITLE ANCHOR SHACKLE 150K LBS ULT					
DESC OF DWG: ADD ULT LOAD DIAGRAM --- --- REASON (S) FOR CHANGE: -- DISPOSITION OF MAT'L: --						SIZE A	DWG NO. CUTSHEET	CAT / PART / ASSY NO. AS-135-BNK	REV B	DO NOT SCALE THIS DRAWING	DRN BY PTB