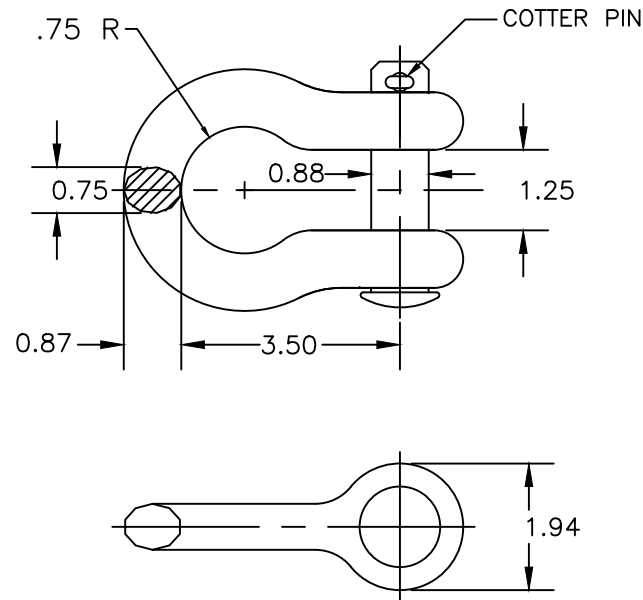


NOTES:

- 1) MATERIAL: BODY – GALVANIZED FORGED STEEL.
COTTER PIN – STAINLESS STEEL
CLEVIS PIN – GALV. STEEL.
- 2) DIMENSIONS IN INCHES.
- 3) ULTIMATE STRENGTH 50,000 LB.
- 4) GALVANIZATION PER ASTM A153
- 5) WEIGHT: 2.3 LBS.



EC #	DATE	CHG BY	RESP ENG	ANDERSON TOLERANCE CHART		HUBBELL® POWER SYSTEMS			
DESC OF DWG: ---				CONFIDENTIAL: THIS DRAWING AND ITS CONTENTS ARE CONFIDENTIAL AND THE EXCLUSIVE PROPERTY OF HUBBELL POWER SYSTEMS. NO PUBLICATION, DISTRIBUTION OR COPIES MAY BE MADE WITHOUT THE WRITTEN CONSENT OF HUBBELL POWER SYSTEMS. HUBBELL POWER SYSTEMS UNPUBLISHED. ALL RIGHTS RESERVED UNDER THE COPYRIGHT LAWS.		TITLE ANCHOR SHACKLE 50K LBS ULT			
REASON (S) FOR CHANGE: --- DISPOSITION OF MAT'L: ---						SIZE A	DWG NO. CUTSHEET	CAT / PART / ASSY NO. AS-50-W	REV A
				DO NOT SCALE THIS DRAWING		DRN BY MWA	DATE 1/6/12	SHEET 1 OF 1	