

4

3

2

1

D

D

C

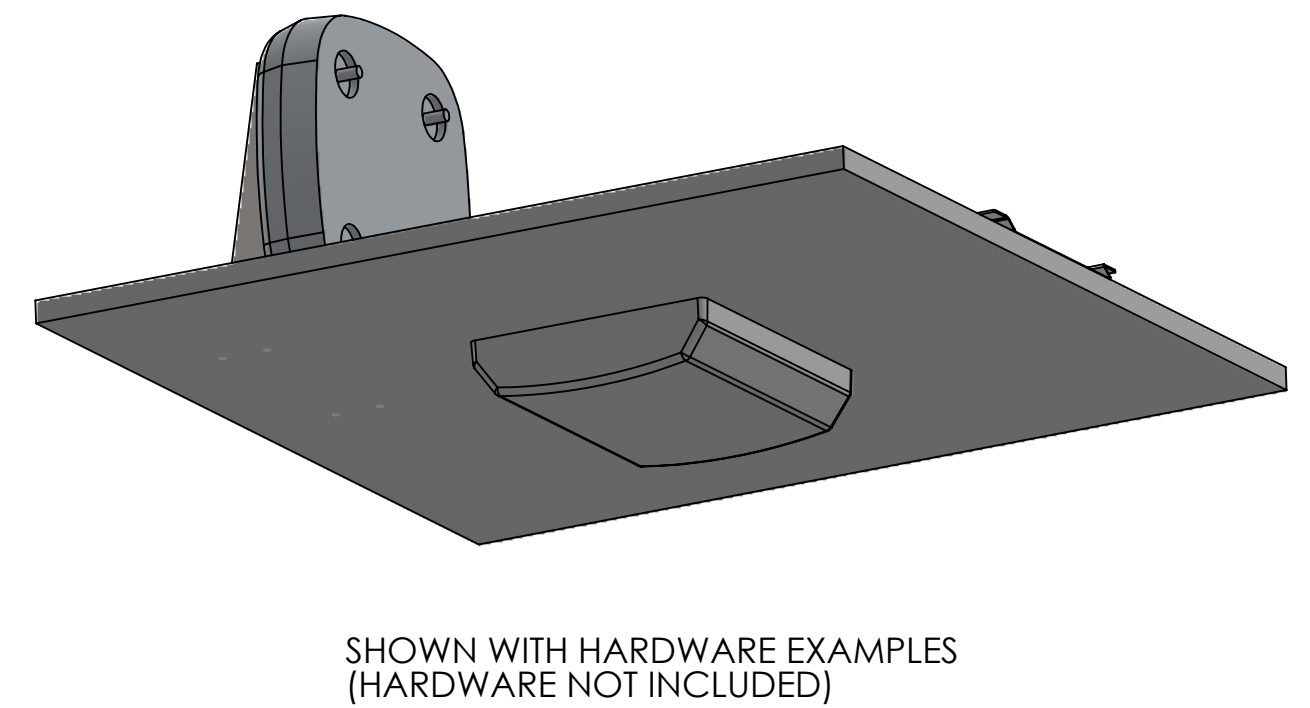
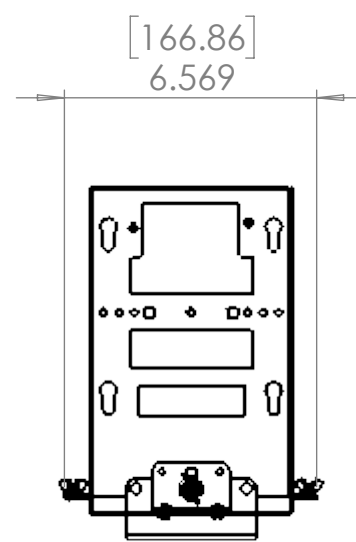
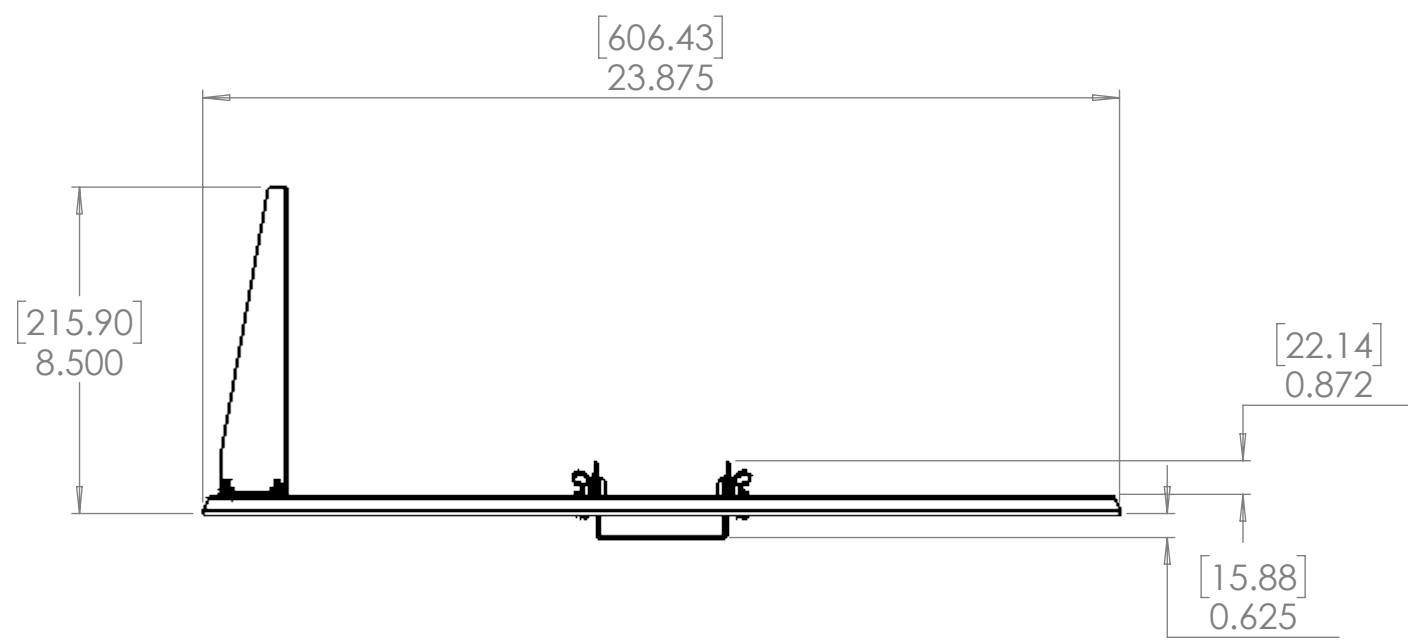
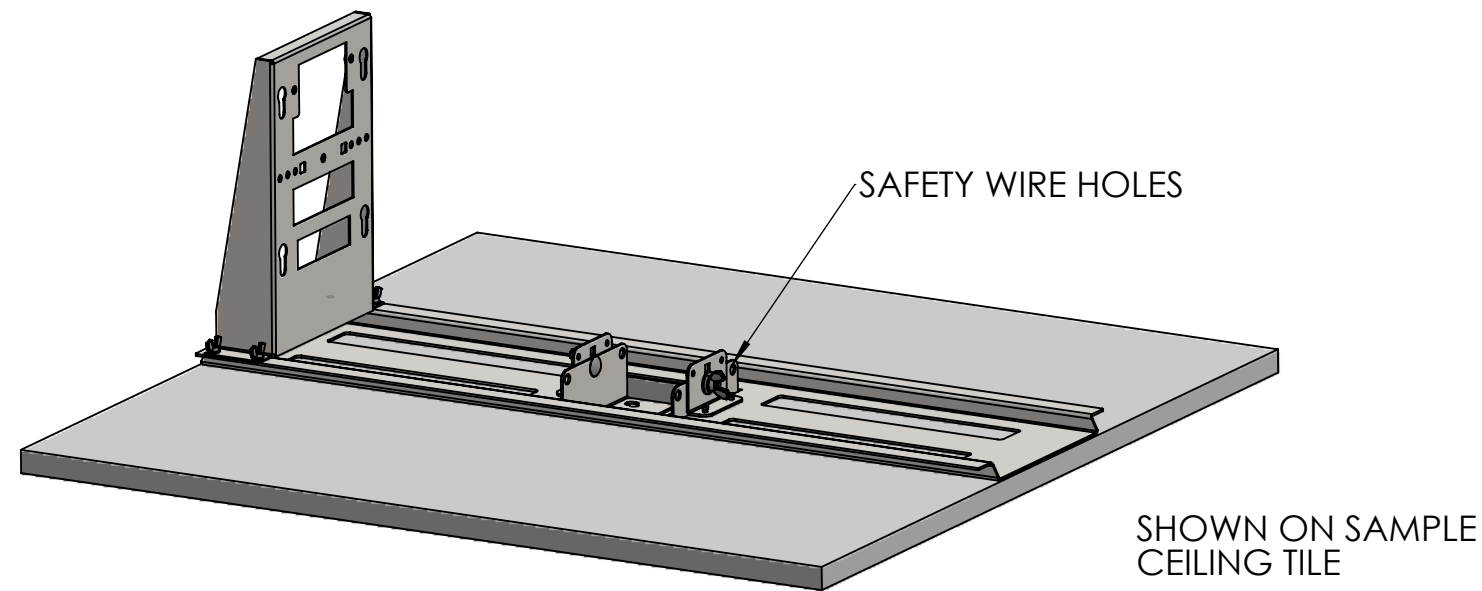
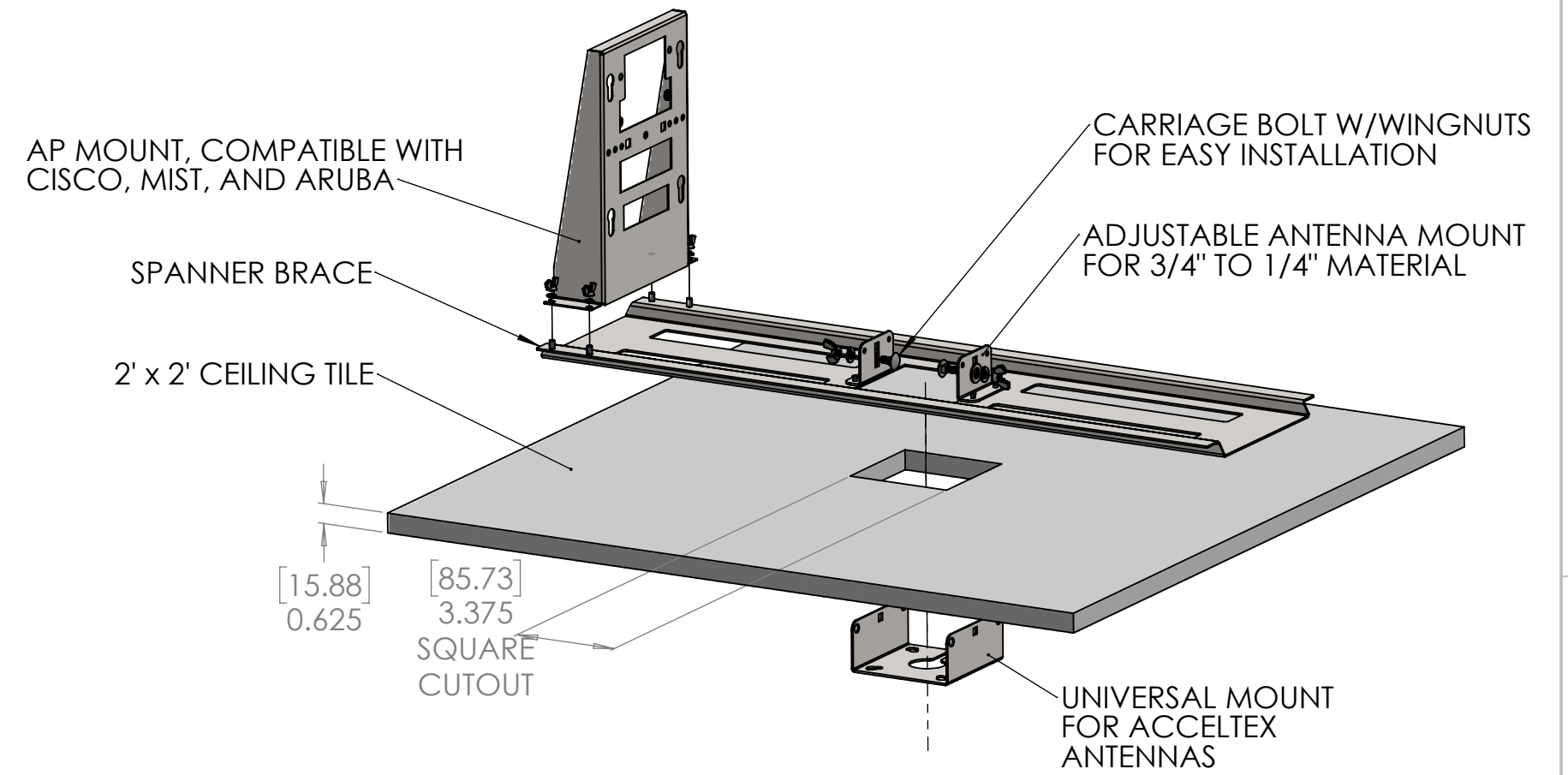
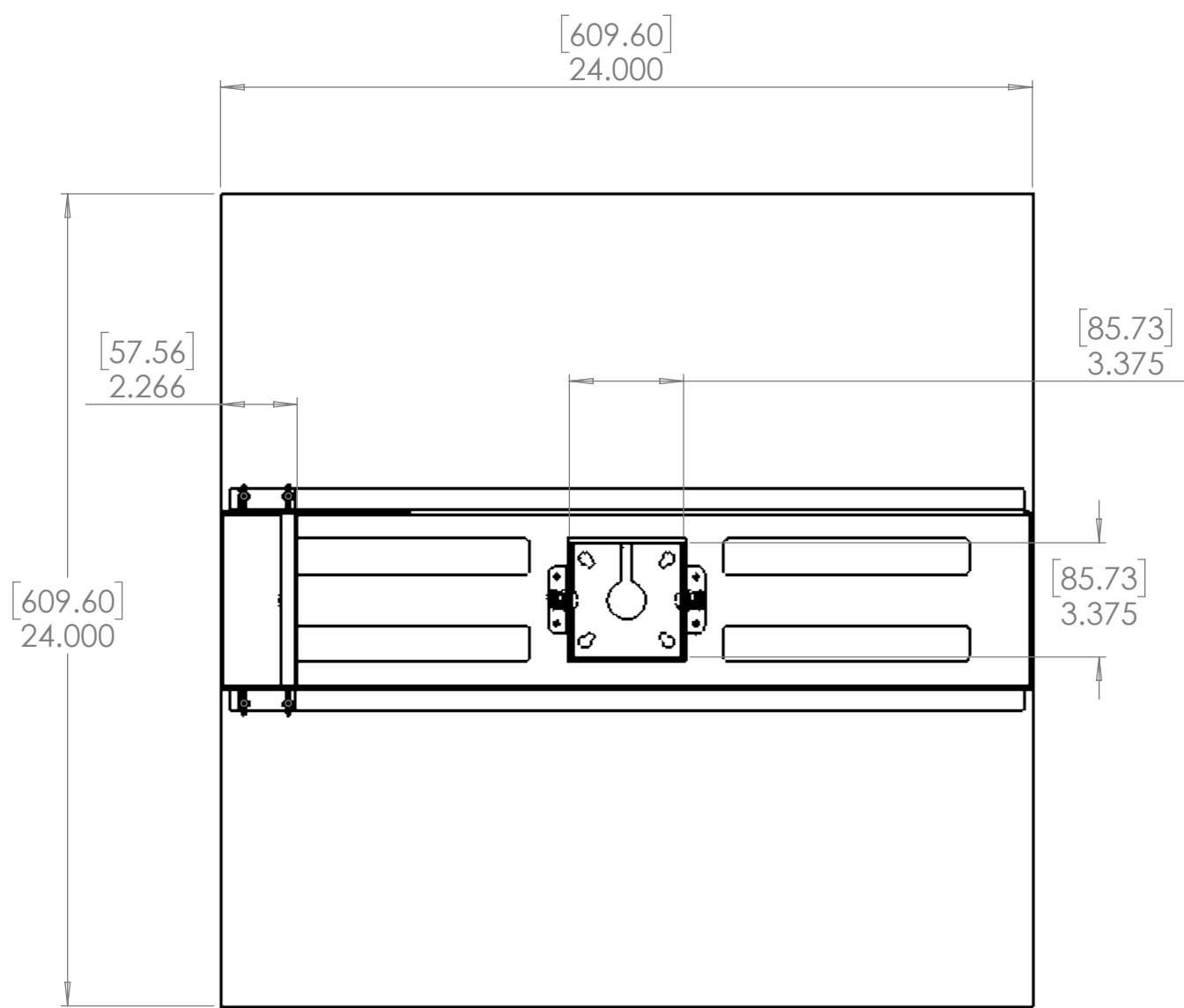
C

B

B

A

A



UNLESS OTHERWISE SPECIFIED:	
DIMENSIONS ARE IN INCHES(MM).	
TOLERANCES:	
ANGULAR: MACH±1° BEND ±1°	
.XX = ±.01 (.25)	
.XXX = ±.005 (.127)	
INTERPRET GEOMETRIC TOLERANCING PER: ASME Y14.5M-2018	
PROJECT REF: 071-23	
MATERIAL	STEEL
FINISH	DACROMET SILVER
DO NOT SCALE DRAWING	

NAME	RV	DATE	10-3-23
CHECKED	PJ	DATE	10-10-23
ENG APPR.	NM	DATE	10-10-2023
MFG APPR.			
COMMENTS:			

**PROPRIETARY AND CONFIDENTIAL**

THE INFORMATION CONTAINED IN THIS DRAWING IS THE SOLE PROPERTY OF HUBBELL. ANY REPRODUCTION IN PART OR AS A WHOLE WITHOUT THE WRITTEN PERMISSION OF HUBBELL IS PROHIBITED.

AccelTex Solutions		
12000 Crownpoint Dr., Suite 165 San Antonio, TX 78233		
TITLE:	ATS, CEILING-TILE, ABOVE TILE, AP AND ANNTENNA MOUNT 1	
SIZE	DWG. NO. REV	
C	ATS-CT-ABTL-APANTMNT1-C 1	
SCALE: 1:5	WEIGHT: 3.15 LBS	SHEET 1 OF 1

1			INITIAL RELEASE		
REV.	ECN	DATE	DESCRIPTION	CHG BY	APPD BY
REVISIONS					

4

3

2

1