

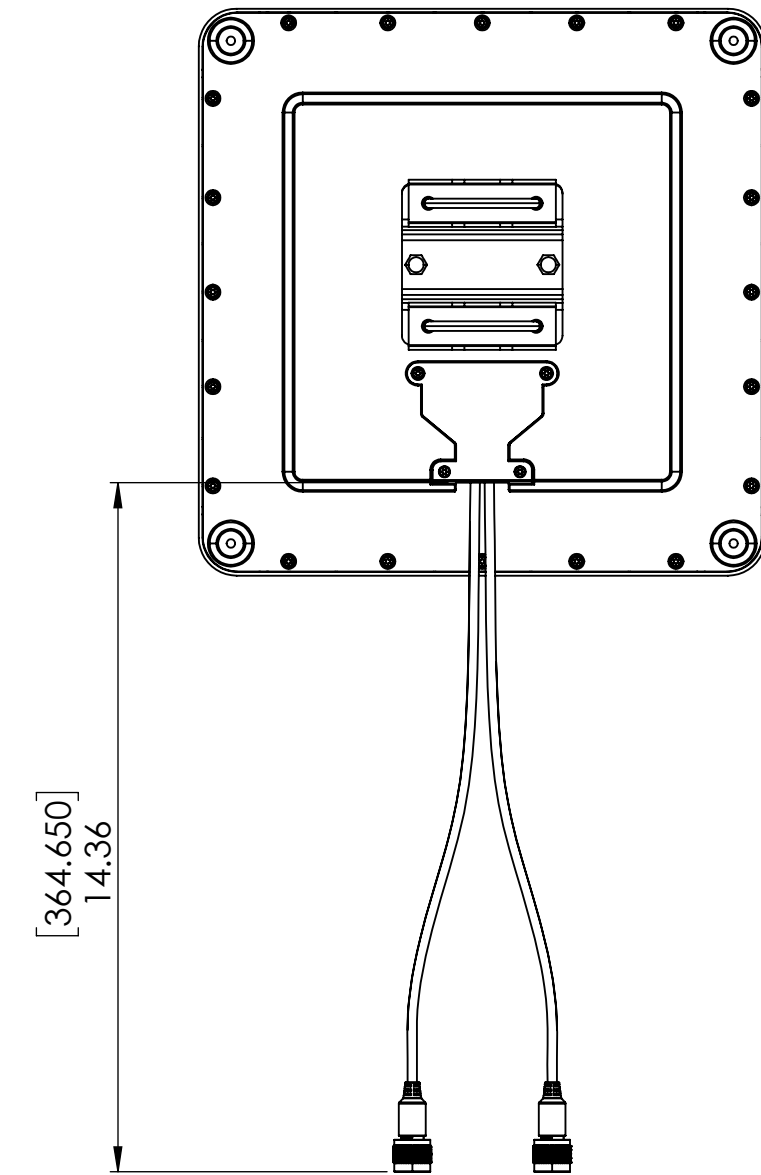
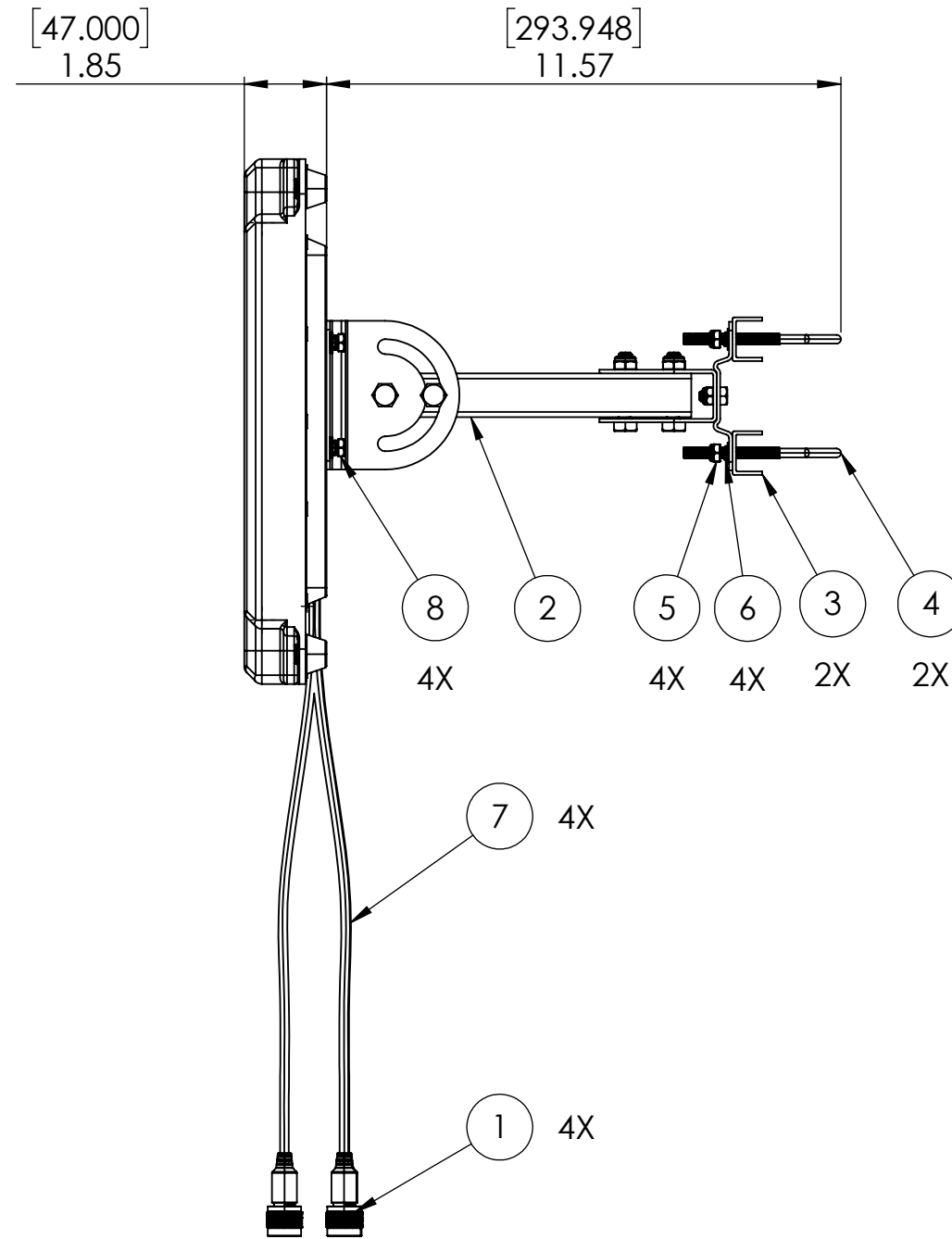
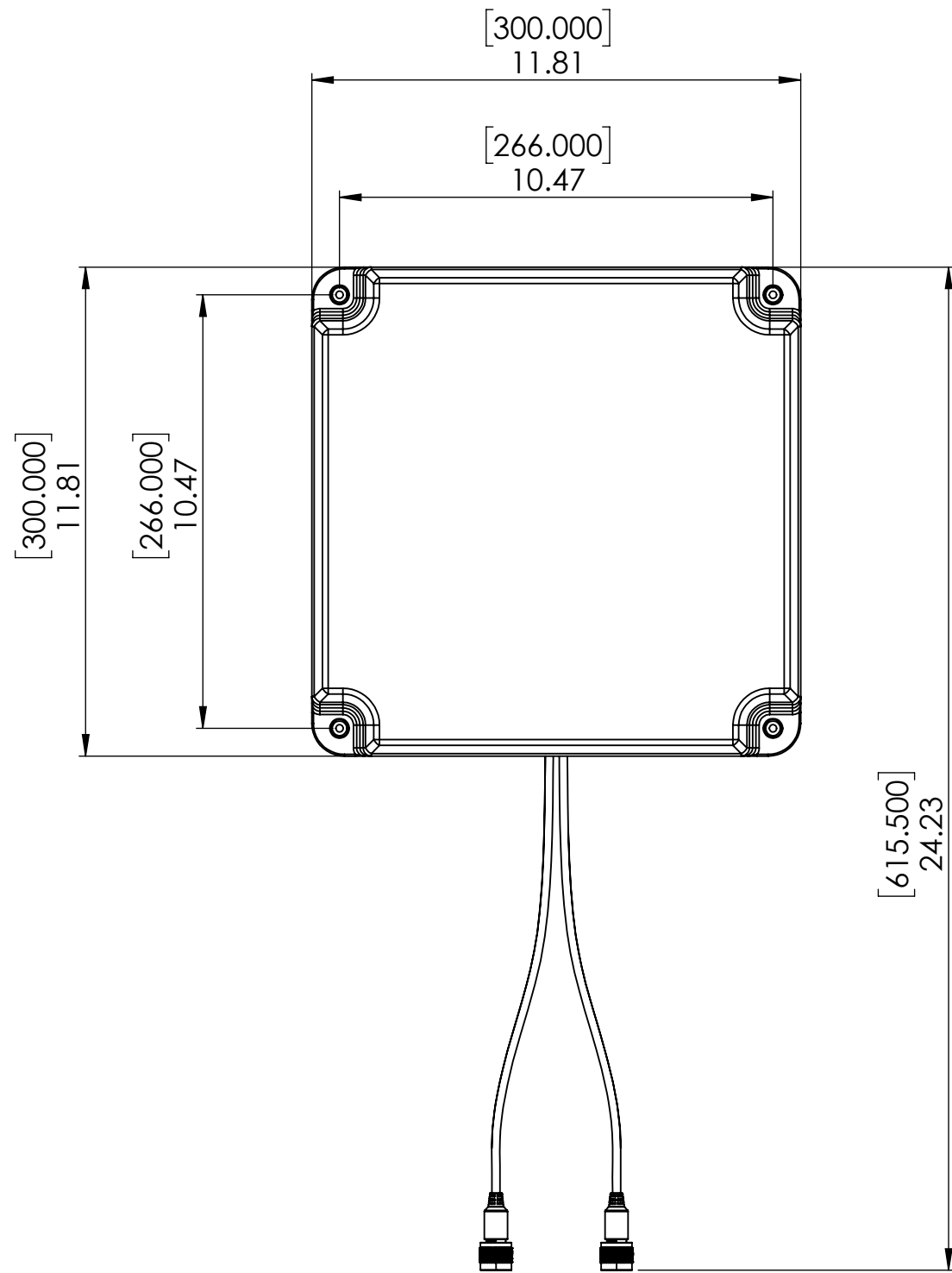
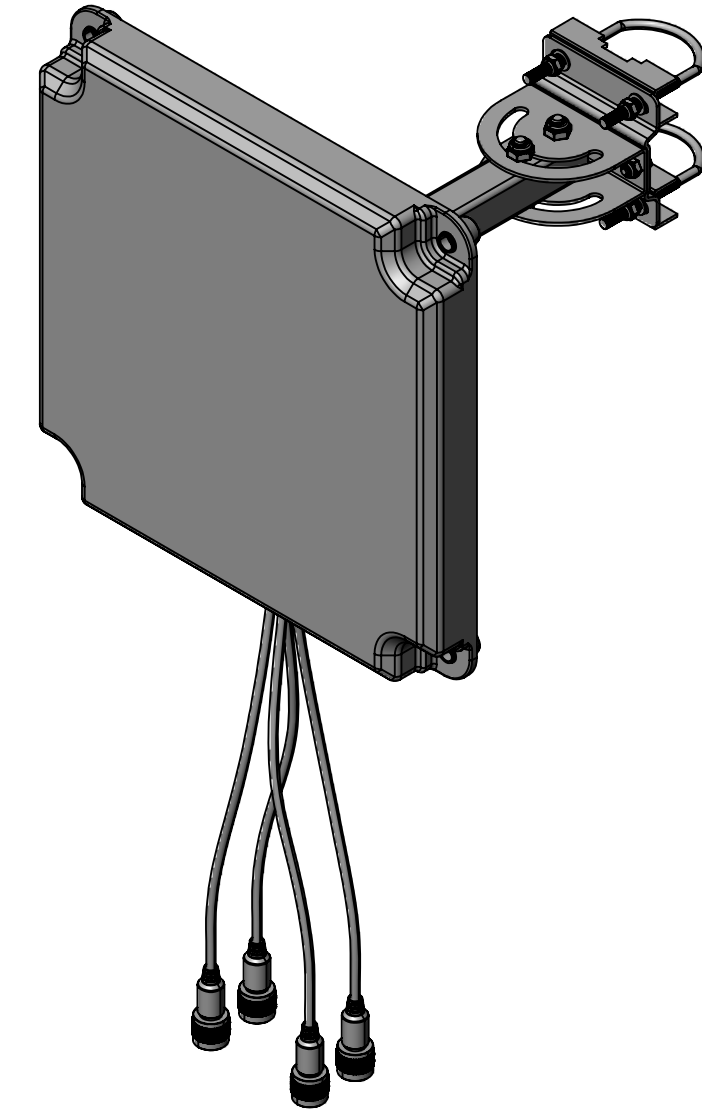
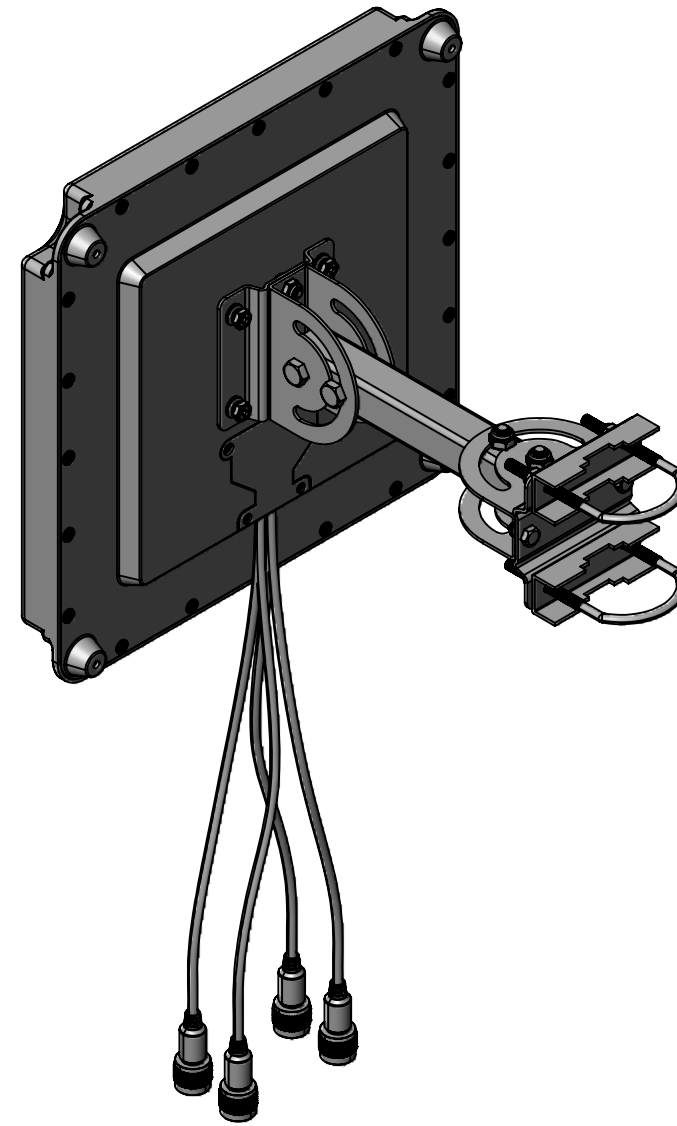
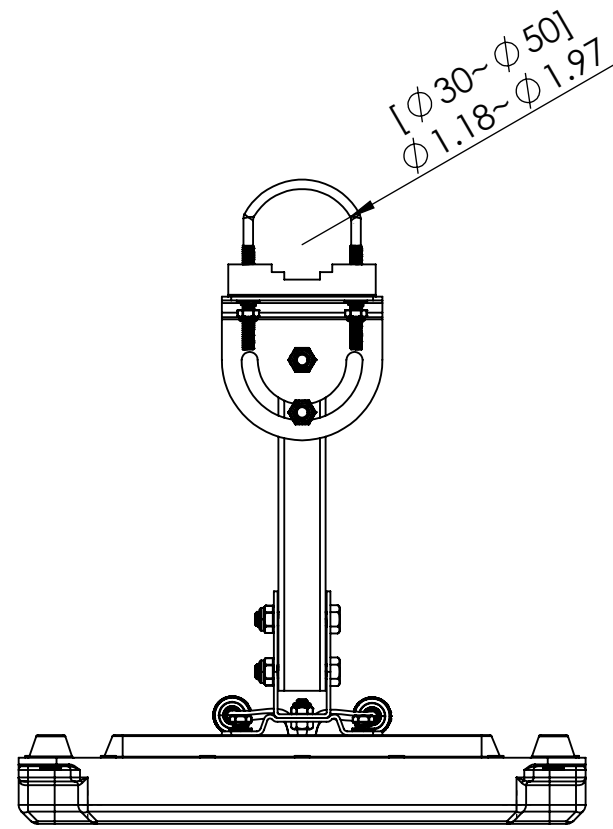
4

3

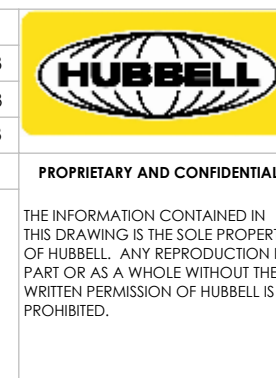
2

1

ITEM NO.	DESCRIPTION	QTY.
1	N PLUG	4
2	STEEL UNIVERSAL BRACKET	1
3	POLE MOUNT BRACKET	2
4	U-BOLT	2
5	M6 HEX NUT	4
6	M6 WASHER	4
7	ATS-200 COAXIAL CABLE	4
8	M6x12 COMBINATION SCREW	4



UNLESS OTHERWISE SPECIFIED:		NAME	DATE
DIMENSIONS ARE IN INCHES(MM).		DRAWN	IA 1/4/23
TOLERANCES:		CHECKED	MA 1/5/23
ANGULAR: MACH±1° BEND ±1°		ENG APPR.	NM 1/5/23
.XX = ±.01 (.25)		MFG APPR.	
.XXX = ±.005 (.127)		COMMENTS:	
INTERPRET GEOMETRIC TOLERANCING PER: ASME Y14.5M-2018			
PROJECT REF. 200-23			
MATERIAL MULTIPLE			
FINISH N/A			
DO NOT SCALE DRAWING			



AccelTex Solutions 12000 Crownpoint Dr., Suite 165 San Antonio, TX 78233		TITLE:	2.4/5/6 GHz 8/10/10 dBi 4 Element Indoor/Outdoor Patch Antenna with N-Style ATS-OP-2456-81010-4NP-36
		SIZE	C
DWG. NO.	ATS-03675	REV	1
SCALE: 1:4	WEIGHT:	SHEET 1 OF 1	

REV.	ECN	DATE	DESCRIPTION	CHG BY	APPD BY
REVISIONS					

4

3

2

1