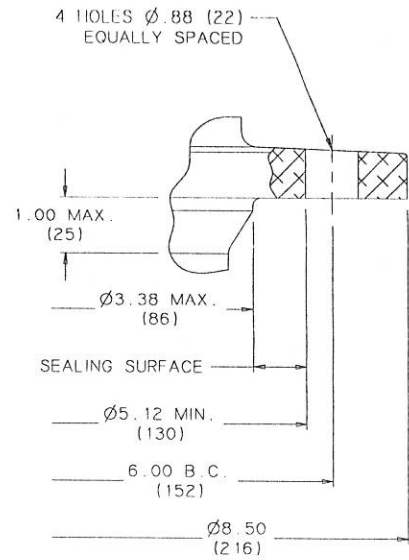
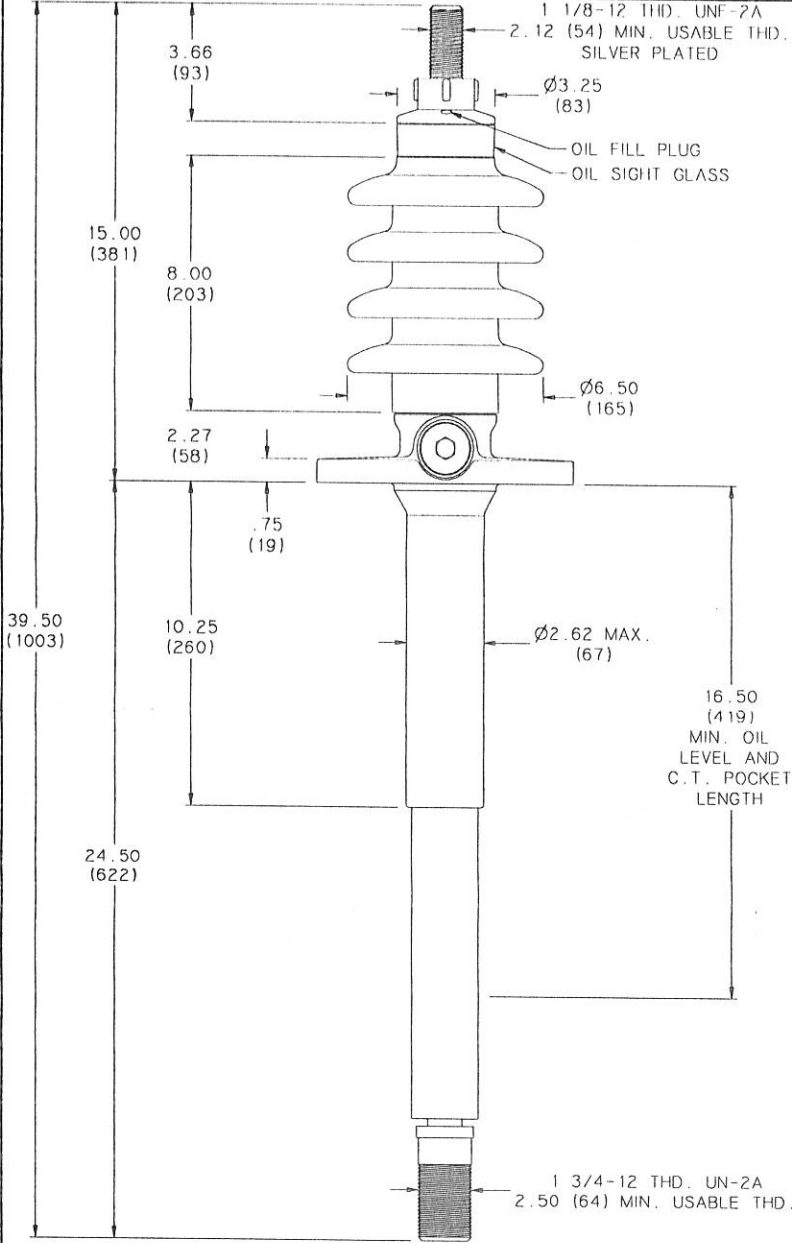
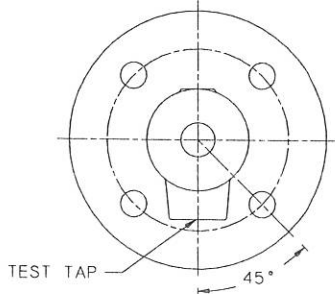


FEB 19 2001

			ELECTRICAL VALUES			DWG.	CATALOG NUMBER	GLAZE COLOR
			KV CLASS 15 kV	BIL 110 kV	Uy 10 kV	SD	B89111 130	BROWN
			CURRENT RATING			SD	B89111 130 70	LT GRAY
DWG. DATE 2-12-01			REV. DATE 4-12-97			TITLE IEEE STANDARD BUSHING PRC BUSHING		
DWN. Eric H.			CHK. W. Young					
MAXIMUM ALTITUDE 10000 ft. (3000 m.)			MIN. CREEP 17.00 (432)			MIN. STRIKE 9.50 (241)		
NET WEIGHT 30 lbs. (14 kg)			CREEP/ Uy 1.70 (43)			STD. IEEE C57.19.00		
ANGLE OF INCLINATION FROM THE VERTICAL 0° TO 70°			PCB CONTENT OF OIL IS LESS THAN 1 ppm					
1 3/4-12 THREAD BOTTOM TERMINAL 1.50 LONGER BELOW FLANGE								



MOUNTING FLANGE DETAIL



FLANGE ALIGNMENT DIAGRAM
TOP VIEW

DIMENSIONS IN INCHES (MILLIMETERS)

NOTE TO PURCHASER
ALL SALES OF LAPP PRODUCTS ARE
SUBJECT TO OUR STANDARD TERMS
AND CONDITIONS AND THE LIMITED
WARRANTIES THEREUNDER

LAST REVISION

SCALE 1/4