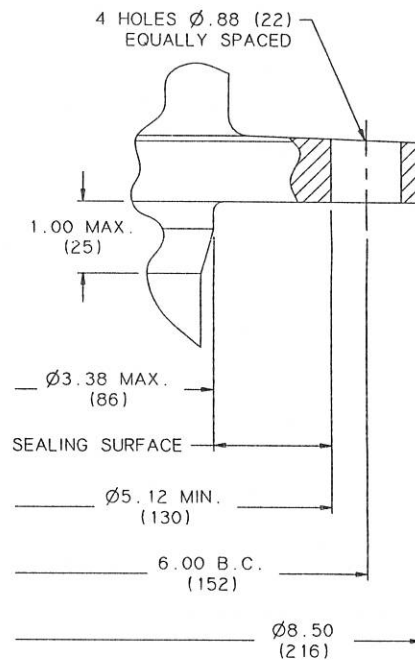
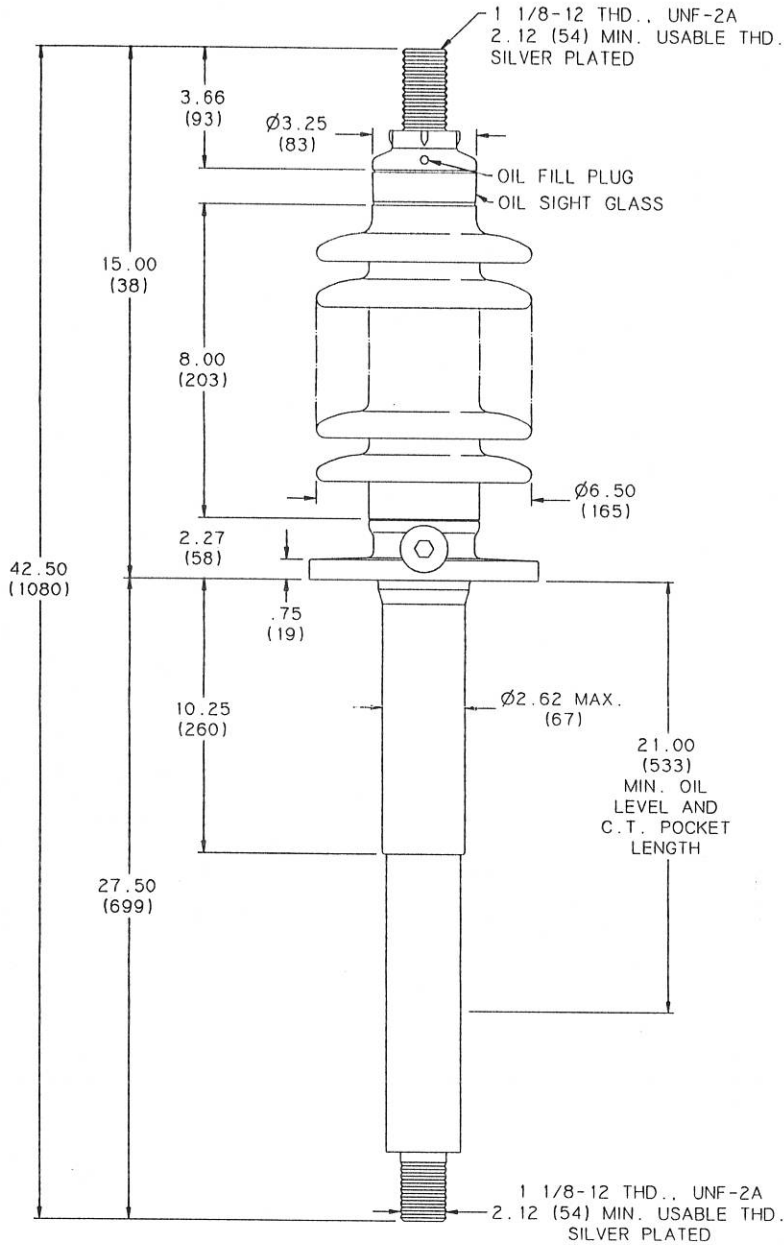
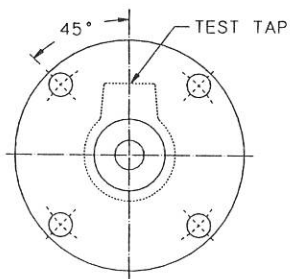


DWG. DATE 4-14-98		REV. DATE	TITLE		DWG.	CATALOG NUMBER	UPPER PORCELAIN GLAZE COLOR
MIN. CREEP 17.00 (432)		kV CLASS 15 kV	PRC BUSHING		SD	B-89113-16	CHOCOLATE
CREEPAGE PER U _y 1.70 (43)		U _y 10 kV	SILVER PLATED BOTTOM TERMINAL		SD	B-89113-16-70	LT. GRAY No.70
MIN. STRIKE DIST. 9.50 (241)		BIL 110 kV	TEST STANDARD IEEE	NET WEIGHT 35 lbs.	CURRENT RATING		
				ANGLE INCLINATION FROM VERTICAL = 0° TO 70°	1200 AMP BOTTOM CONN. @ 95°C MAX. OIL TEMPERATURE		



MOUNTING FLANGE



FLANGE ALIGNMENT DIAGRAM

Bk. No. 7A2A

DIMENSIONS IN INCHES (MILLIMETERS)

NOTE TO PURCHASER
ALL SALES OF LAPP PRODUCTS ARE
SUBJECT TO OUR STANDARD TERMS
AND CONDITIONS AND THE LIMITED
WARRANTY THEREUNDER

LAST REVISION