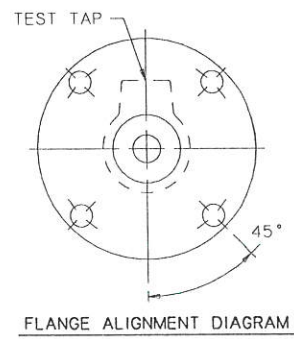
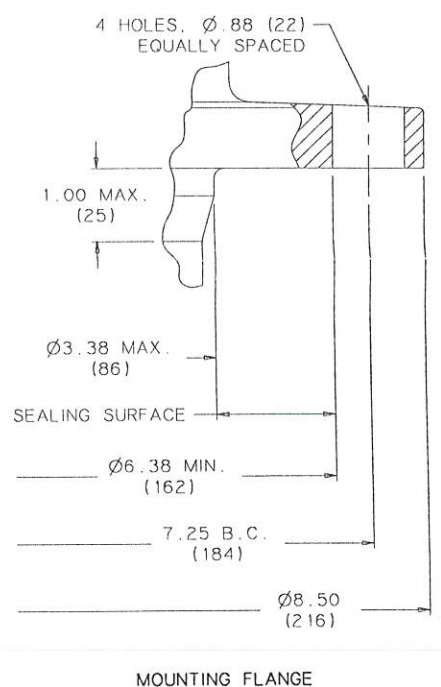
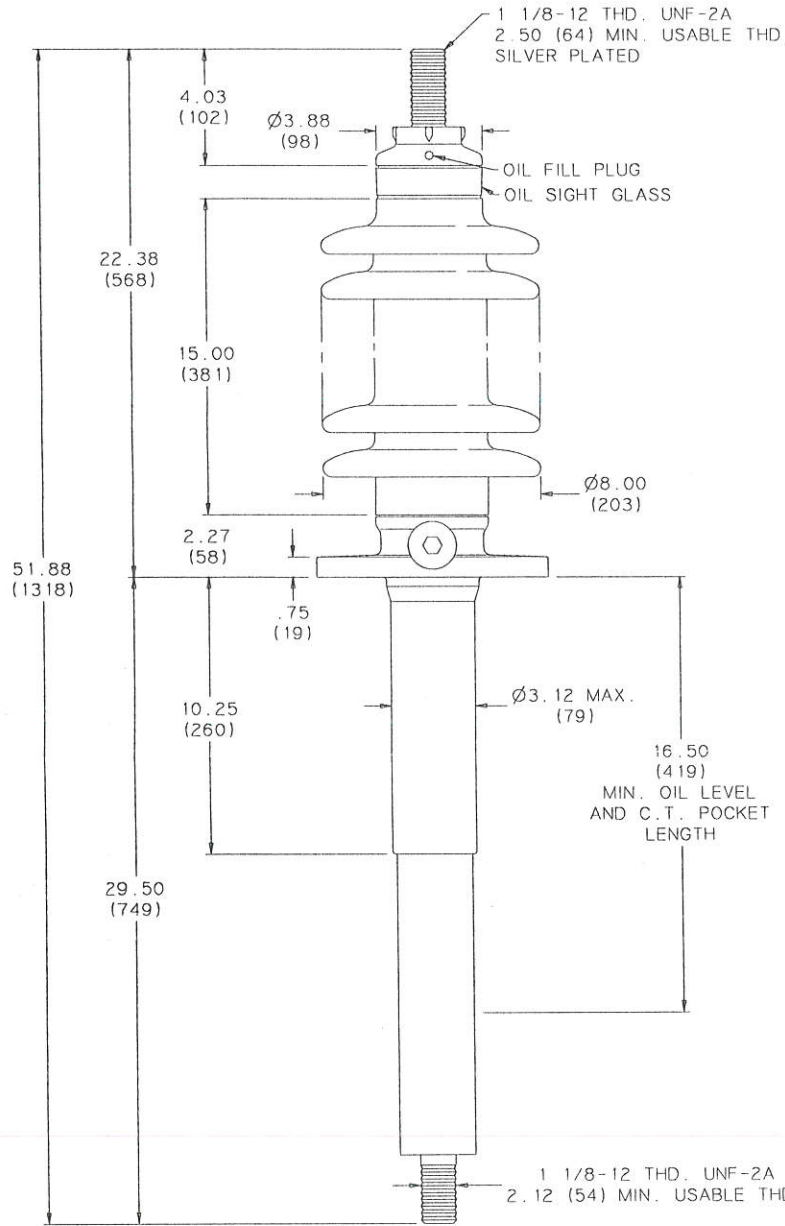


The Power To Serve™

TITLE				DWG.	CATALOG NUMBER	UPPER PORCELAIN GLAZE COLOR
PRC BUSHING				SD	B-89311-52-54	CHOCOLATE
1 1/8-12 THREAD TOP & BOTTOM				SD	B-89311-52-54-70	LT. GRAY No.70
DWG. DATE 8-5-99	REV. DATE			CURRENT RATING		
MIN. CREEP 41.00 (1041)	kV CLASS 34.5 kV			1200 AMP BOTTOM CONNECTION @ 95°C MAX. OIL TEMPERATURE		
CREEPAGE PER Uy 1.86 (47)	Uy 22 kV	TEST STANDARD IEEE	NET WEIGHT 75 lbs.			
MIN. STRIKE DIST. 17.50 (444)	BIL 200 kV	ANGLE INCLINATION FROM VERTICAL = 0° TO 70°				



NOTE TO PURCHASER
ALL SALES OF LAPP PRODUCTS ARE
SUBJECT TO OUR STANDARD TERMS
AND CONDITIONS AND THE LIMITED
WARRANTIES THEREUNDER