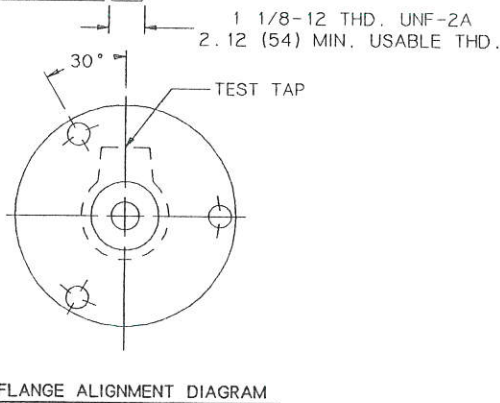
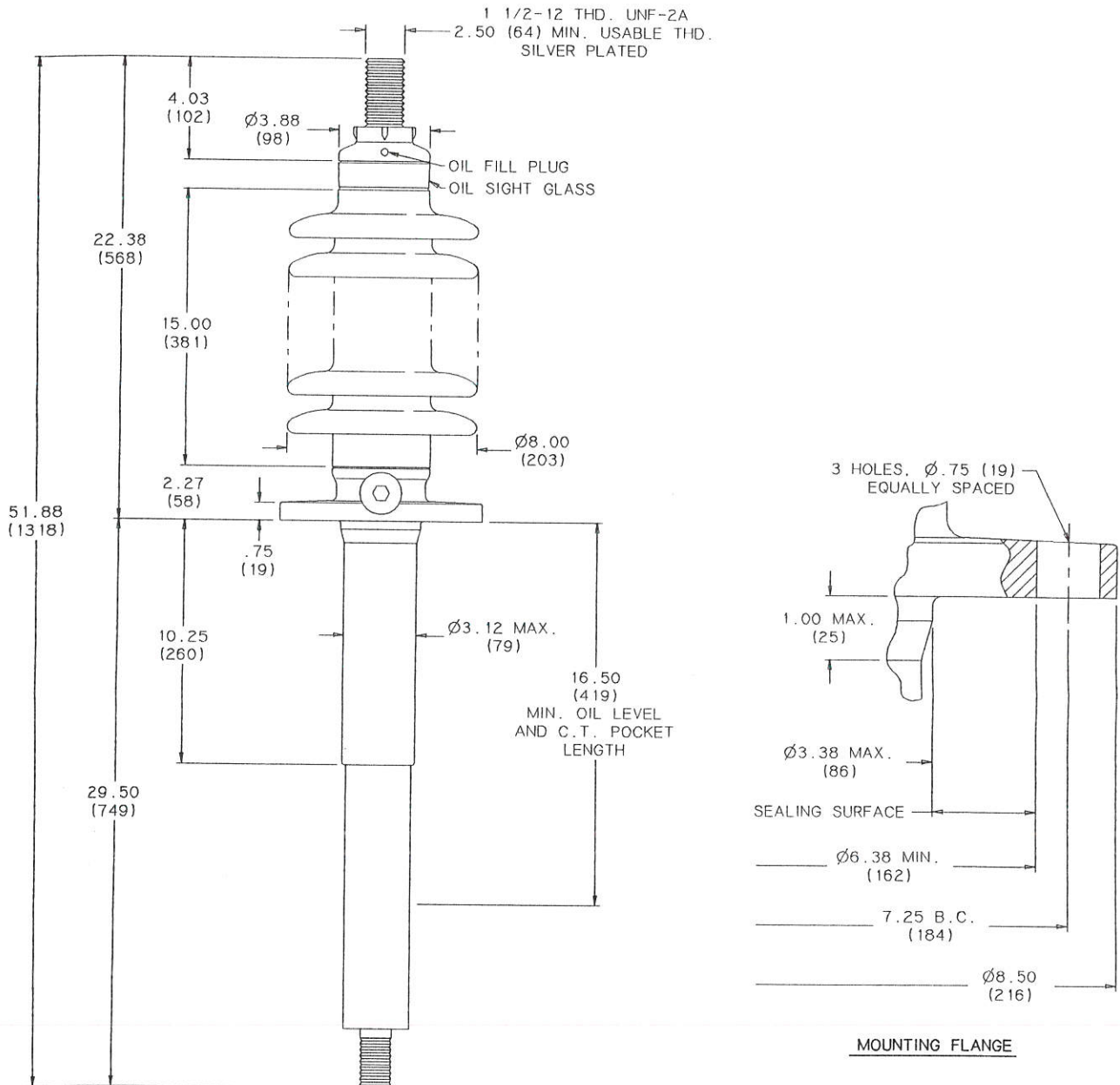


THE POWER TO SERVE™

DWG. DATE 3-16-96		REV. DATE 5-22-96		TITLE		DWG.	CATALOG NUMBER	UPPER PORCELAIN GLAZE COLOR
MIN. CREEP 41.00 (1041)		KV CLASS 34.5 kV		1 1/8-12 BOTTOM THREAD MODIFIED FLANGE WITH (3) Ø.75 (19) HOLES		SD	B-89311-91	CHOCOLATE
CREEPAGE PER Uy 1.86 (47)		Uy 22 kV		TEST STANDARD IEEE	NET WEIGHT 75 lbs.	SD	B-89311-91-70	LT. GRAY No.70
MIN. STRIKE DIST. 17.50 (444)		BIL 200 kV		ANGLE INCLINATION FROM VERTICAL = 0° TO 70°		CURRENT RATING		
						1200 AMP BOTTOM CONNECTION @ 95°C MAX. OIL TEMPERATURE		



7A2A

DIMENSIONS IN INCHES (MILLIMETERS)

NOTE TO PURCHASER
ALL SALES OF LAPP PRODUCTS ARE
SUBJECT TO OUR STANDARD TERMS
AND CONDITIONS AND THE LIMITED
WARRANTIES THEREUNDER

LAST REVISION NET WEIGHT WAS 70.