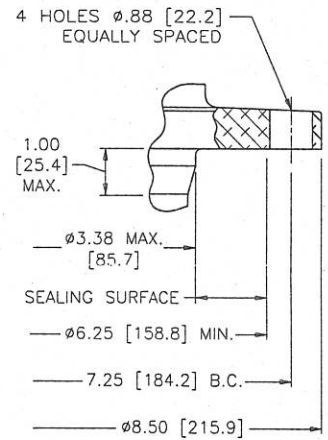
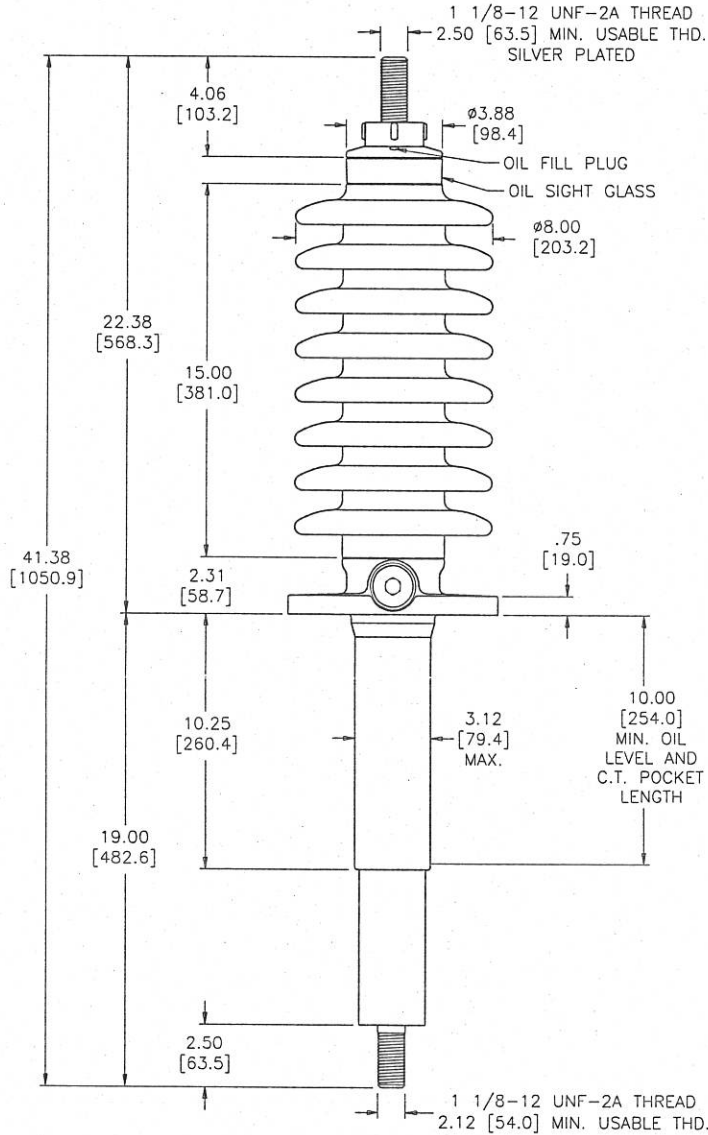
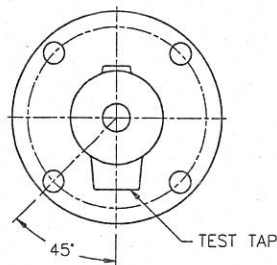


		ELECTRICAL VALUES			DWG.	CATALOG NUMBER	GLAZE COLOR
		kV CLASS 34.5 kV	BIL 200 kV	Uy 22 kV	SD	B-89312-52-54	BROWN
DATE 7-27-04		CURRENT RATING			SD	B-89312-52-54-70	LT. GRAY
REV. DATE		1200A BOTTOM CONNECTION IN 55°C RISE OIL			TITLE IEEE STANDARD BUSHING		
MAXIMUM ALTITUDE 10000 ft [3000 m]		MIN. CREEP 41.00 [1041.4]			PRC BUSHING		
NET WEIGHT 76 lbs [35 kg]		MIN. STRIKE 17.00 [431.8]			1 1/8-12 TOP & BOTTOM THREAD		
ANGLE OF INCLINATION FROM THE VERTICAL 0° TO 70°		CREEP/Uy 1.86 [47.3]					
PCB CONTENT OF OIL IS LESS THAN 1 ppm		STD. IEEE C57.19.00					



MOUNTING FLANGE DETAIL



FLANGE ALIGNMENT DIAGRAM TOP VIEW

DIMENSIONS IN INCHES [MILLIMETERS]

REVISION

SCALE 1/5

NOTE TO PURCHASER:
ALL SALES OF LAPP PRODUCTS ARE SUBJECT
TO OUR STANDARD TERMS AND CONDITIONS
AND THE LIMITED WARRANTIES THEREUNDER