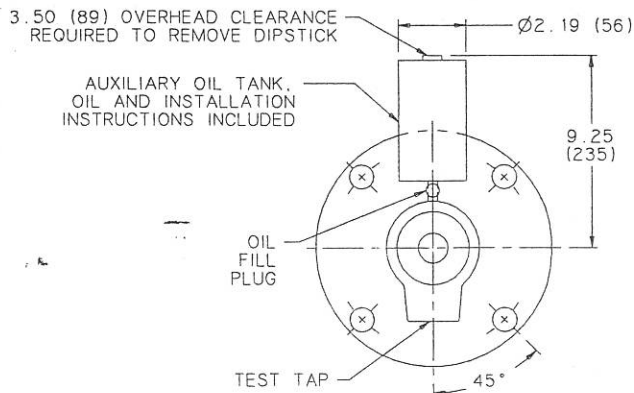
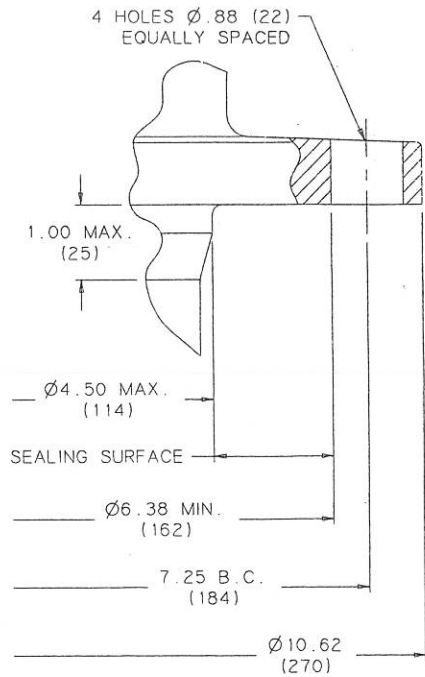
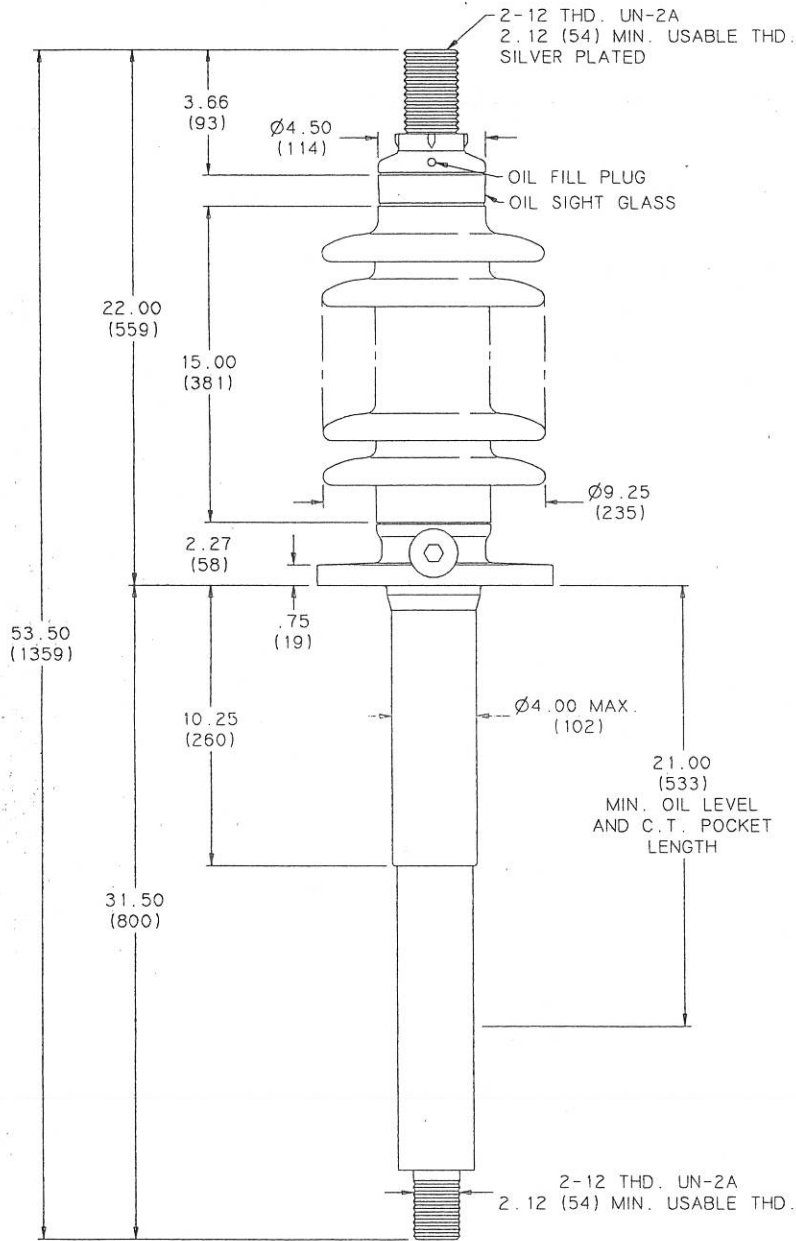


NOV 15 1999

DWG. DATE 11-12-99		REV. DATE		TITLE		DWG.	CATALOG NUMBER	UPPER PORCELAIN GLAZE COLOR
MIN. CREEPAGE 37.62 (956)		kV CLASS 34.5 kV		AIR TO OIL		SD	B89323-10	CHOCOLATE
CREEPAGE PER Uy 1.71 (43)		Uy 22 kV		HORIZONTAL MOUNTING WITH TANK		SD	B89323-10-70	LT. GRAY No.70
MIN. STRIKE DIST. 17.50 (445)		BIL 200 kV		TESTING STANDARD IEEE		CURRENT RATING		
				ANGLE INCLINATION FROM VERTICAL 70° TO 90°		2000 AMP BOTTOM CONNECTED @ 95°C MAX. OIL TEMPERATURE		
				NET WEIGHT lbs.				



FLANGE ALIGNMENT DIAGRAM
SHOWN HORIZONTALLY MOUNTED

MOUNTING FLANGE

NOTE TO PURCHASER
ALL SALES OF LAPP PRODUCTS ARE
SUBJECT TO OUR STANDARD TERMS
AND CONDITIONS AND THE LIMITED
WARRANTIES THEREUNDER