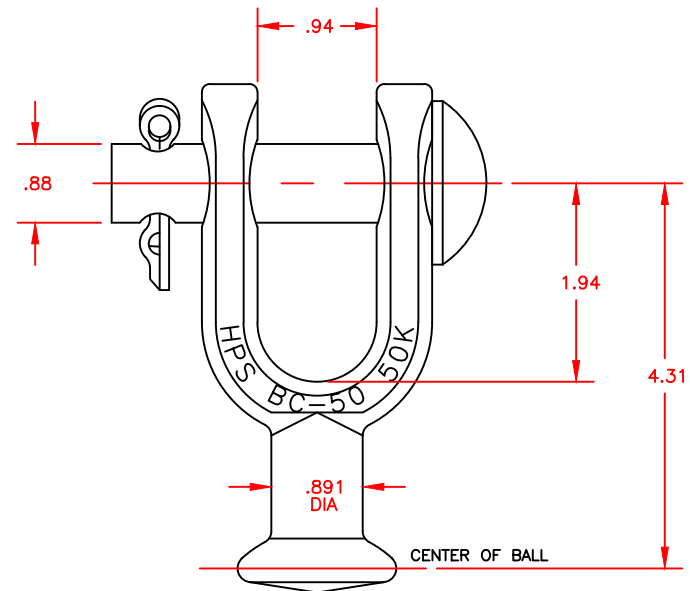



NOTES:

1. MATERIAL—BODY & CLEVIS PIN—GALV STEEL
COTTER PIN— STAINLESS STEEL
2. 50,000 LBS ULT STRENGTH
3. GALVANIZED PER ASTM A153



				ANDERSON TOLERANCE CHART	 HUBBELL ® POWER SYSTEMS			
EC #	DATE	CHG BY	RESP ENG		TITLE BALL CLEVIS			
DESC OF DWG: -- -- -- --				CONFIDENTIAL: THIS DRAWING AND ITS CONTENTS ARE CONFIDENTIAL AND THE EXCLUSIVE PROPERTY OF HUBBELL POWER SYSTEMS. NO PUBLICATION, DISTRIBUTION OR COPIES MAY BE MADE WITHOUT THE WRITTEN CONSENT OF HUBBELL POWER SYSTEMS. HUBBELL POWER SYSTEMS UNPUBLISHED ALL RIGHTS RESERVED UNDER THE COPYRIGHT LAWS.	SIZE	DWG NO.	CAT / PART / ASSY NO.	REV
REASON (S) FOR CHANGE: --					A	CUTSHEET	BC-50	A
DISPOSITION OF MAT'L: --					DO NOT SCALE THIS DRAWING	DRN BY OJ	DATE 4/11/18	SHEET