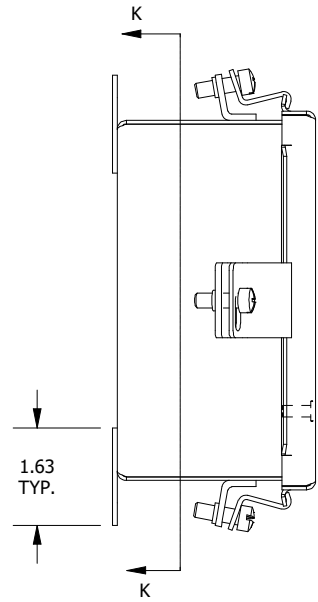
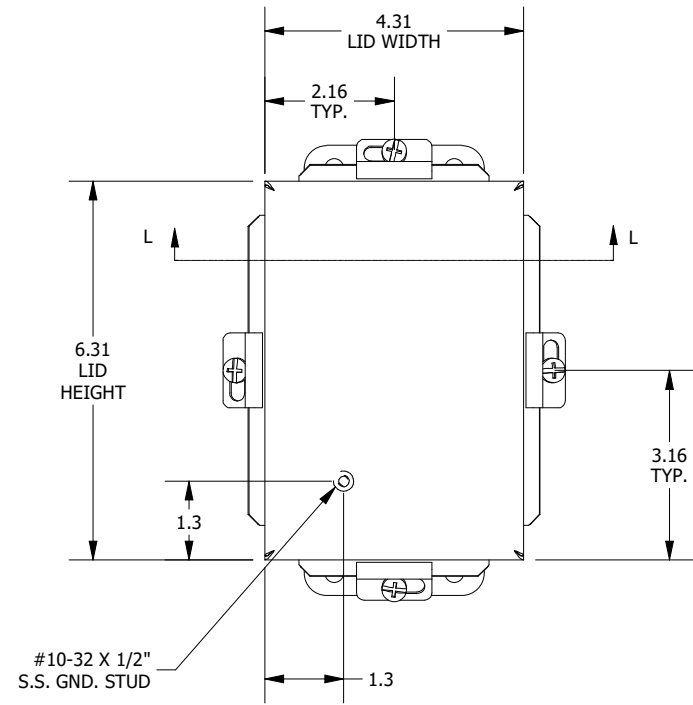


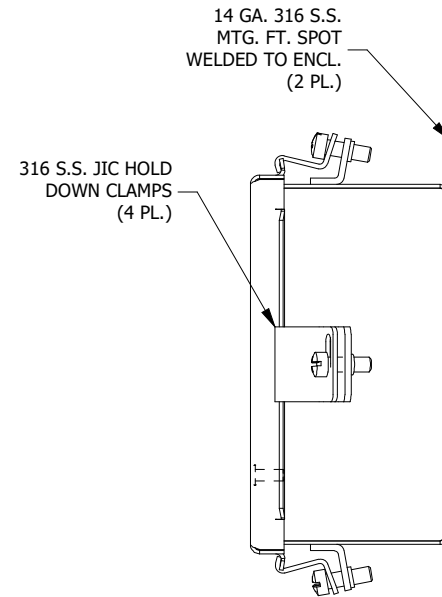
TOP VIEW



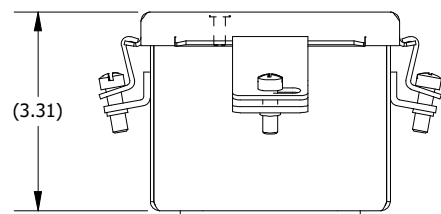
LEFT SIDE VIEW



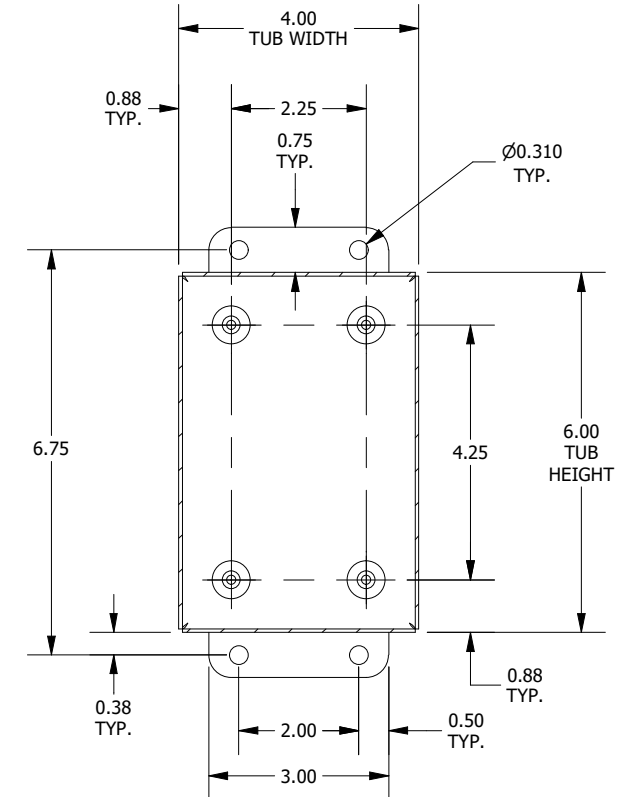
FRONT VIEW



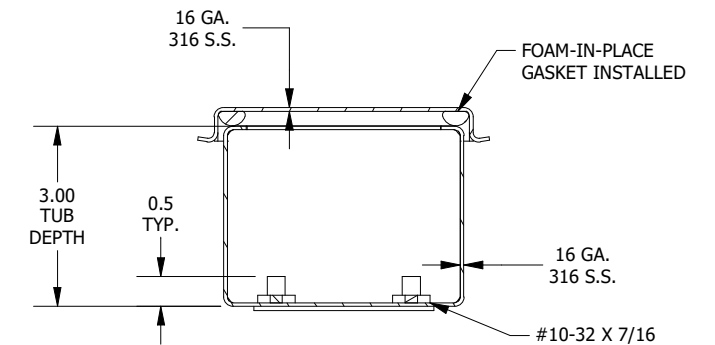
RIGHT SIDE VIEW



BOTTOM VIEW



**SECTION K-K VIEW
(INSIDE BACK OF ENCL.)**



**SECTION L-L VIEW
(INSIDE TOP OF ENCL.)**

PART #:060403SSA
 (DATA SUBJECT TO CHANGE WITHOUT NOTICE)
 THIS DRAWING IS THE PROPERTY OF HUBBELL INC. WIEGMANN
 ALL INFORMATION IS PROPRIETARY AND NOT TO BE DUPLICATED