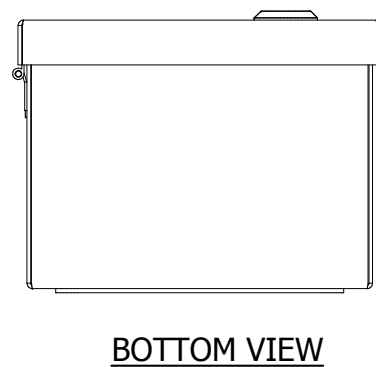
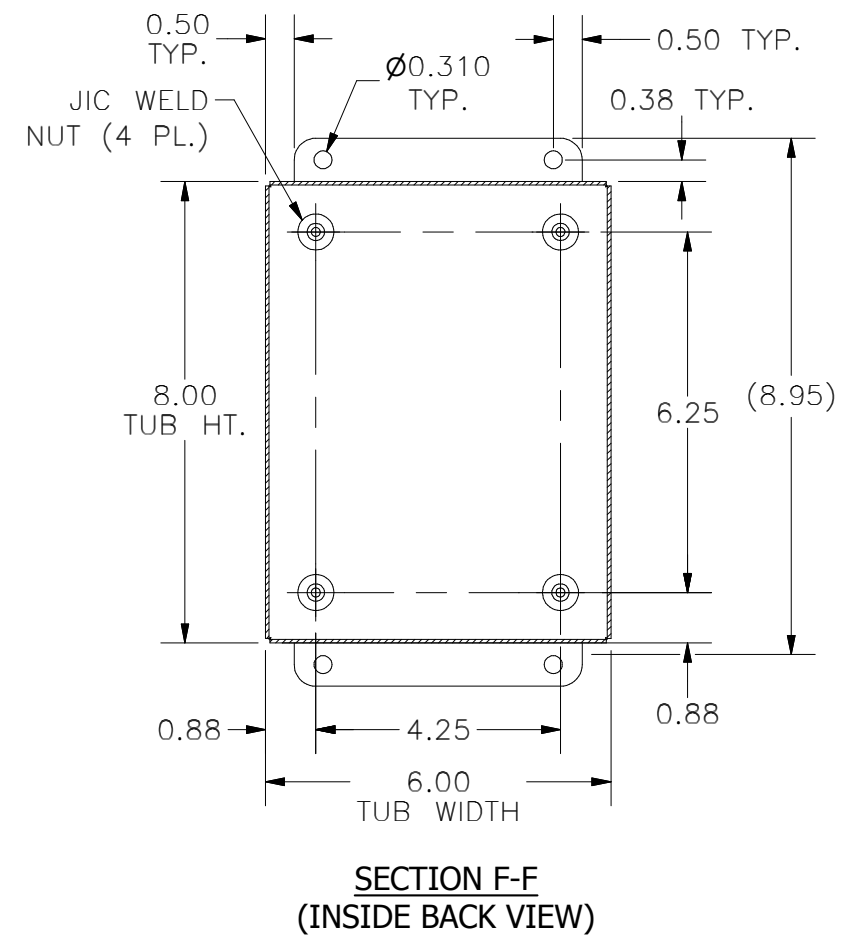
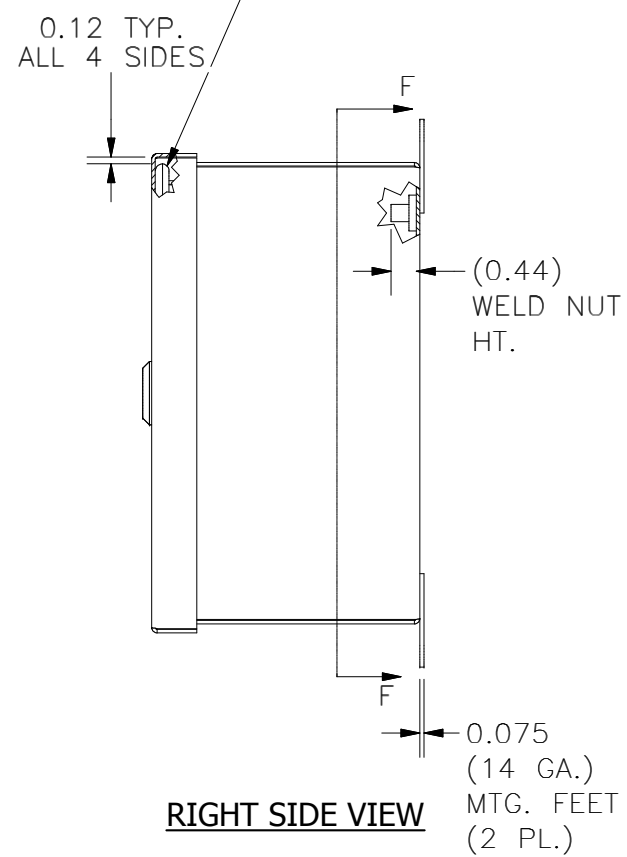


NOTE GAP BETWEEN INSIDE EDGE OF DOOR & FOAM-IN PLACE GASKET



PART#: BN4080604CHQT  
 (DATA SUBJECT TO CHANGE WITHOUT NOTICE)

THIS DRAWING IS PROPERTY OF HUBBELL INC. WIEGMANN  
 ALL INFORMATION IS PROPRIETARY AND NOT TO BE DUPLICATED