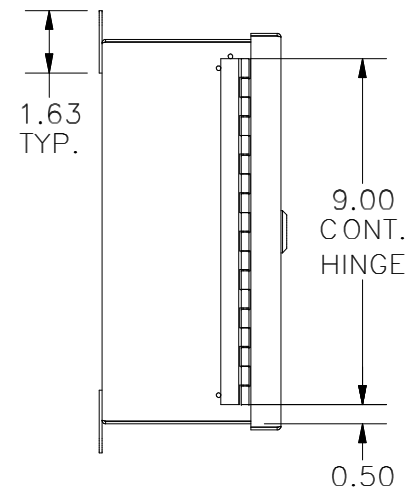
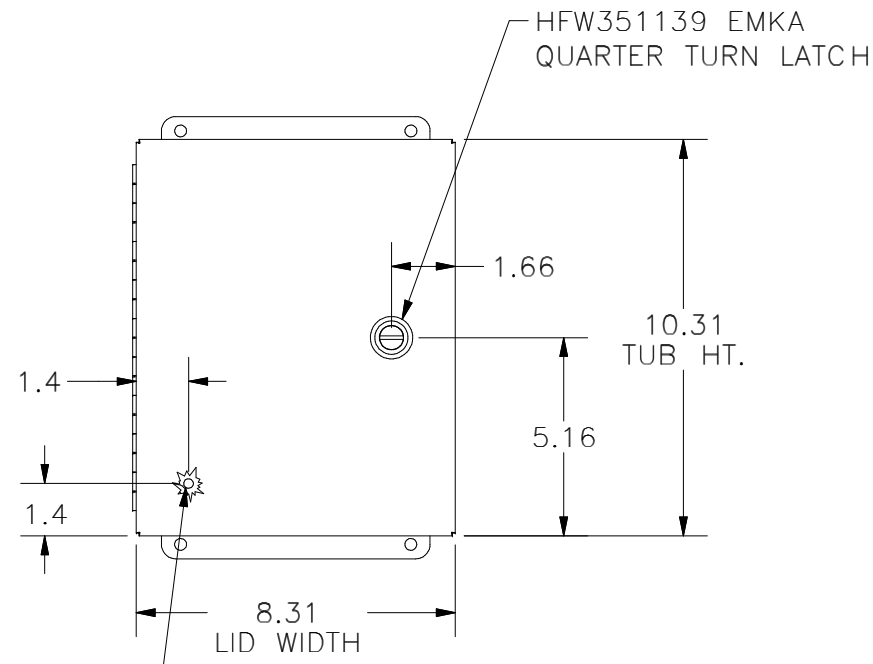


**TOP VIEW**

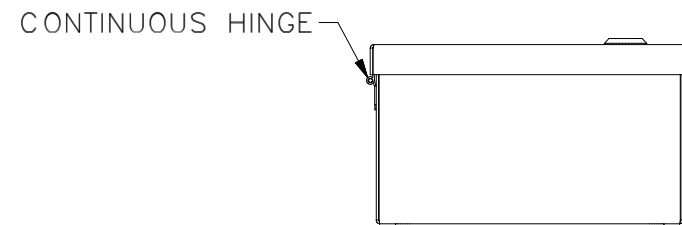


**LEFT SIDE VIEW**

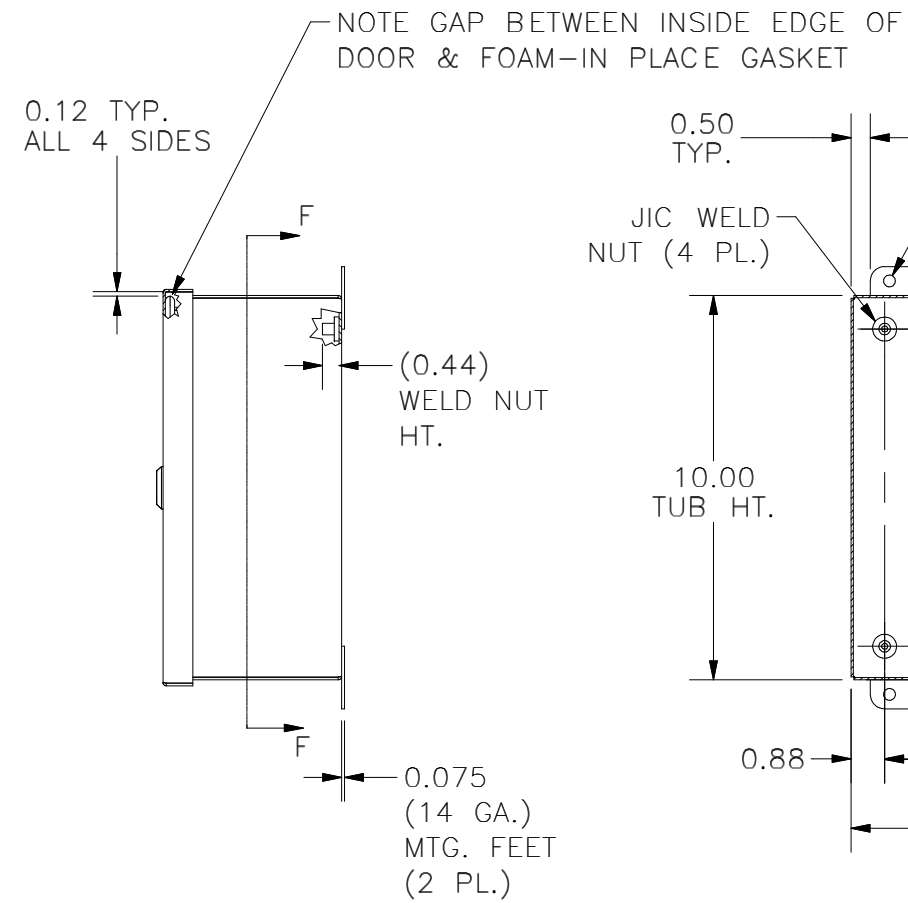


**FRONT VIEW**

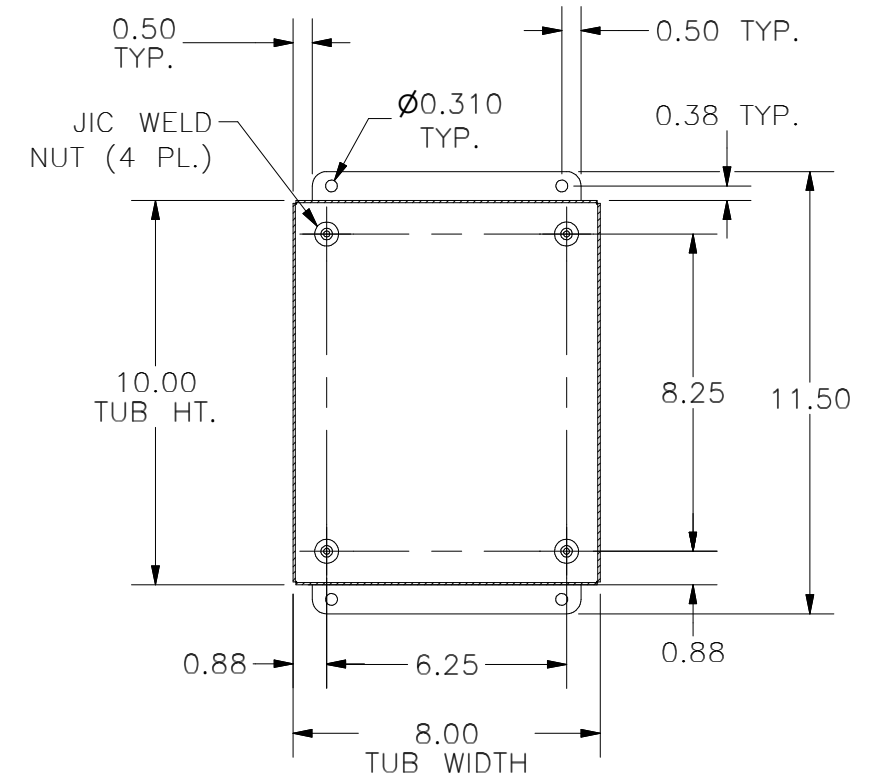
10-32 X 1/2  
GROUND STUD  
ON INSIDE OF LID



**BOTTOM VIEW**



**RIGHT SIDE VIEW**



**SECTION F-F  
(INSIDE BACK VIEW)**

PART#: BN4100804CHQT  
(DATA SUBJECT TO CHANGE WITHOUT NOTICE)

THIS DRAWING IS PROPERTY OF HUBBELL INC. WIEGMANN  
ALL INFORMATION IS PROPRIETARY AND NOT TO BE DUPLICATED