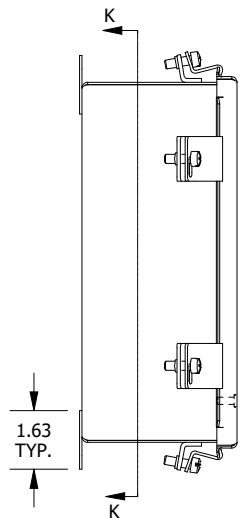
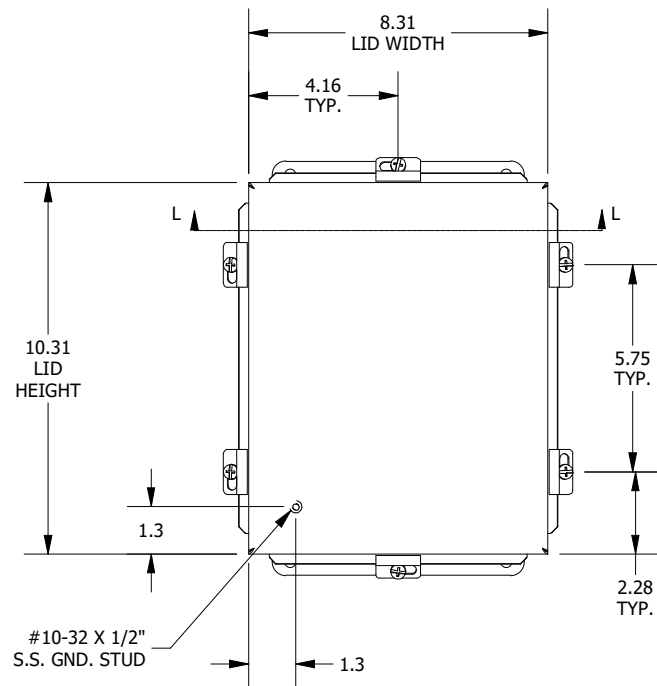


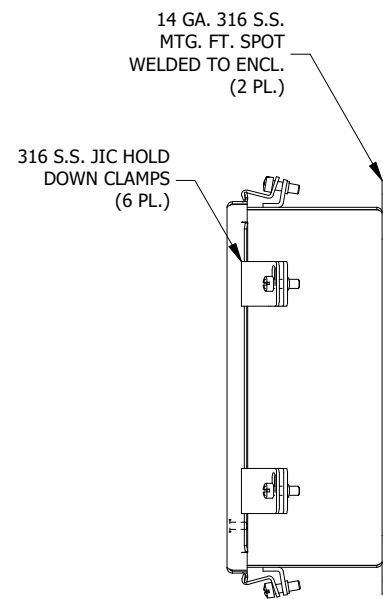
TOP VIEW



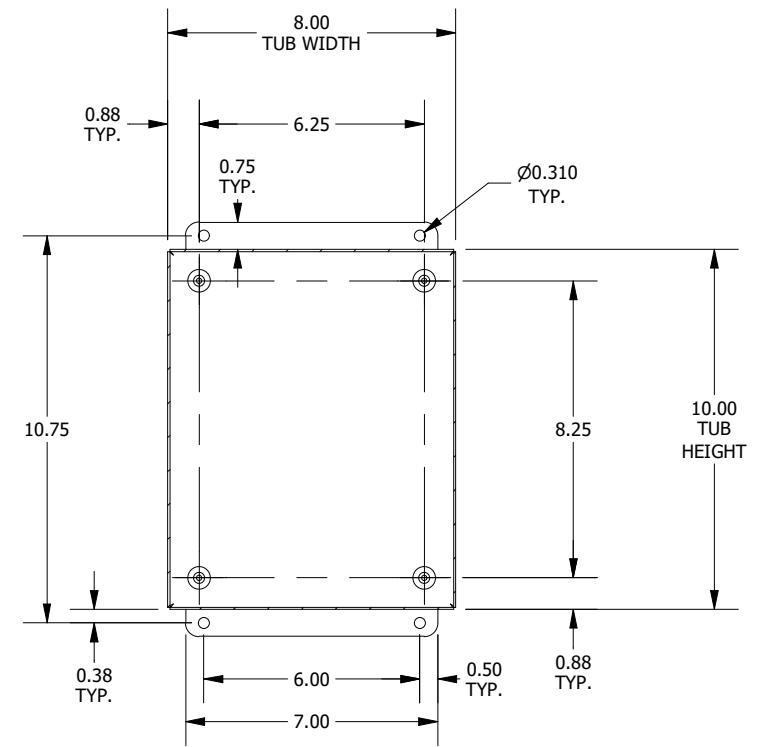
LEFT SIDE VIEW



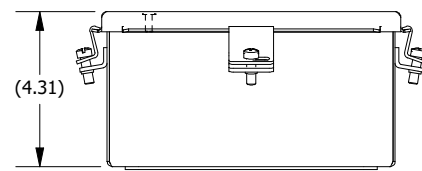
FRONT VIEW



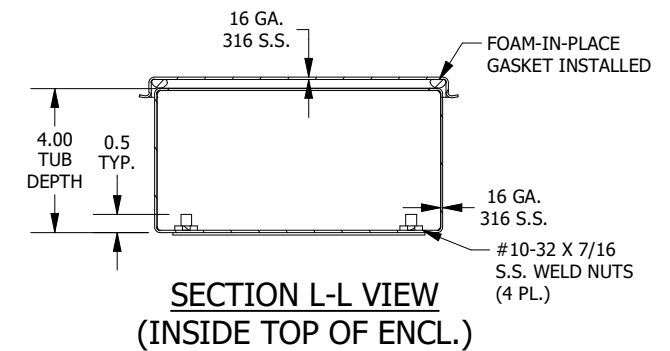
RIGHT SIDE VIEW



SECTION K-K VIEW
(INSIDE BACK OF ENCL.)



BOTTOM VIEW



SECTION L-L VIEW
(INSIDE TOP OF ENCL.)

PART #:100804SSA
 (DATA SUBJECT TO CHANGE WITHOUT NOTICE)
 THIS DRAWING IS THE PROPERTY OF HUBBELL INC. WIEGMANN
 ALL INFORMATION IS PROPRIETARY AND NOT TO BE DUPLICATED