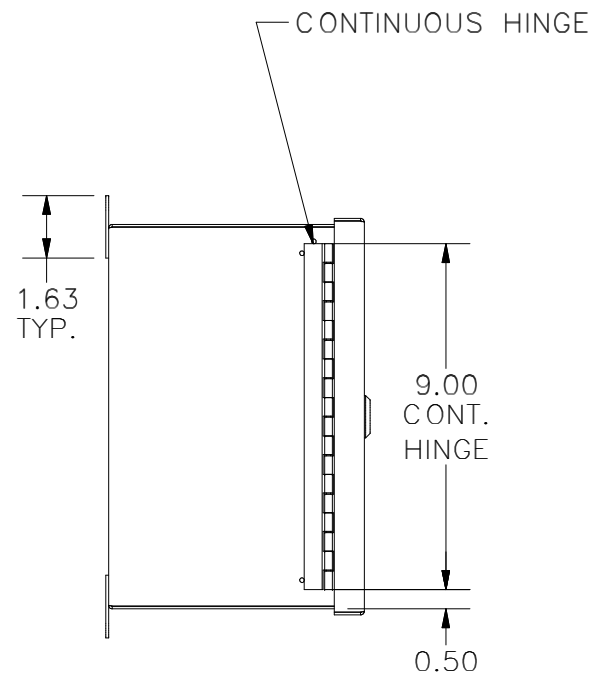
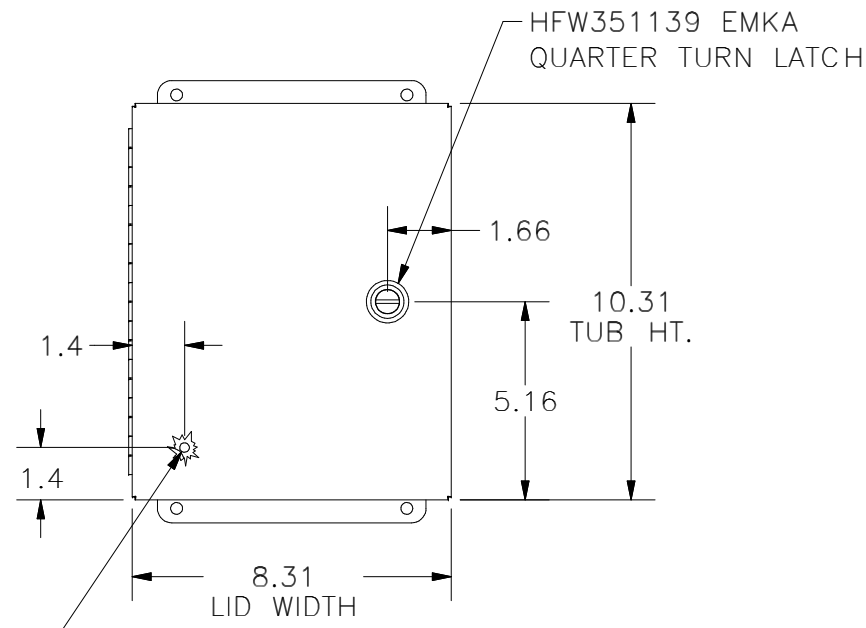


TOP VIEW

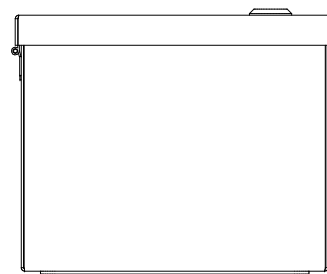


LEFT SIDE VIEW



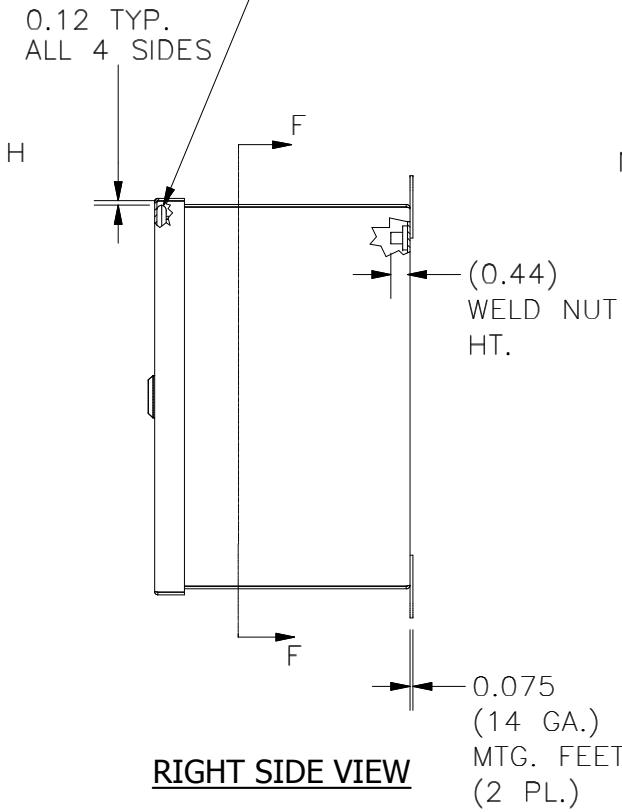
FRONT VIEW

10-32 X 1/2 GROUND STUD ON INSIDE OF LID

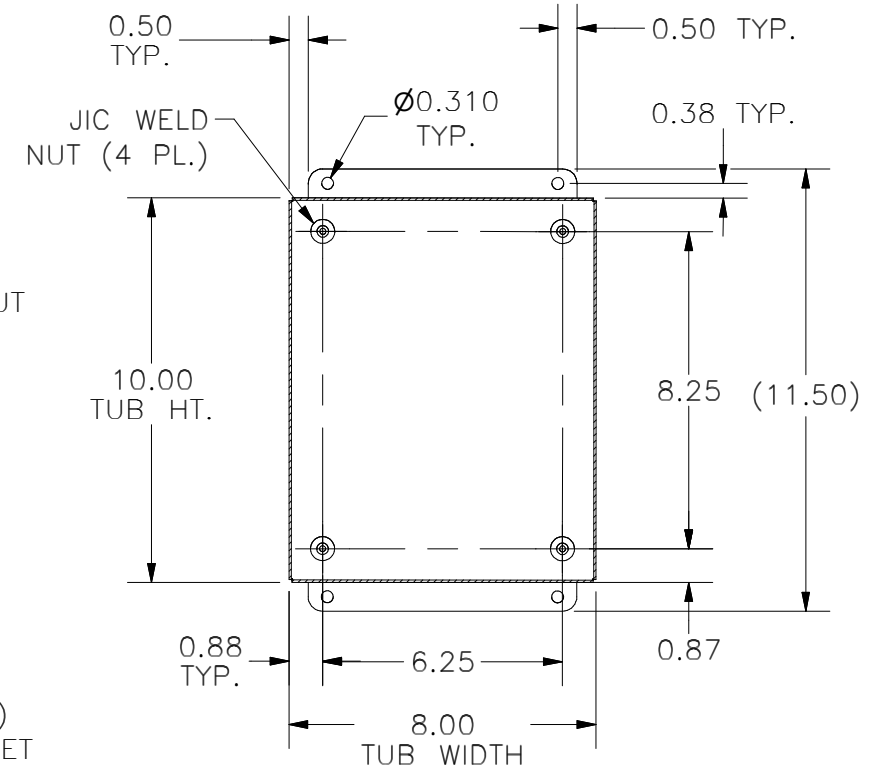


BOTTOM VIEW

NOTE GAP BETWEEN INSIDE EDGE OF DOOR & FOAM-IN PLACE GASKET



RIGHT SIDE VIEW



SECTION F-F (INSIDE BACK VIEW)

PART#: BN4100806CHQT
(DATA SUBJECT TO CHANGE WITHOUT NOTICE)

THIS DRAWING IS PROPERTY OF HUBBELL INC. WIEGMANN
ALL INFORMATION IS PROPRIETARY AND NOT TO BE DUPLICATED