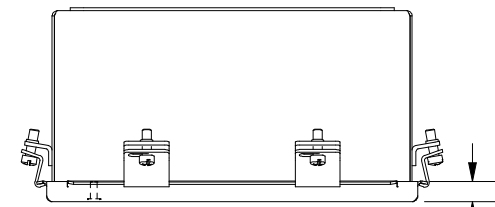
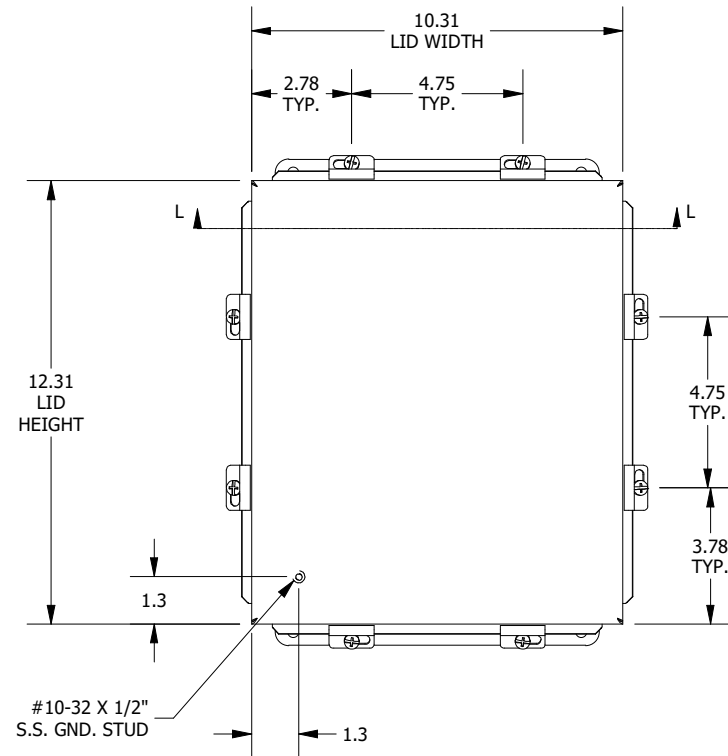


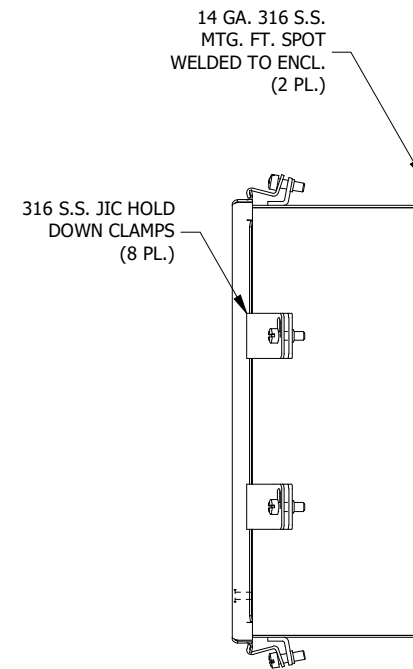
**LEFT SIDE VIEW**



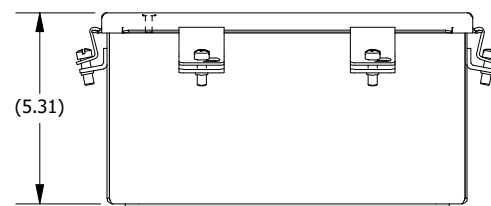
**TOP VIEW**



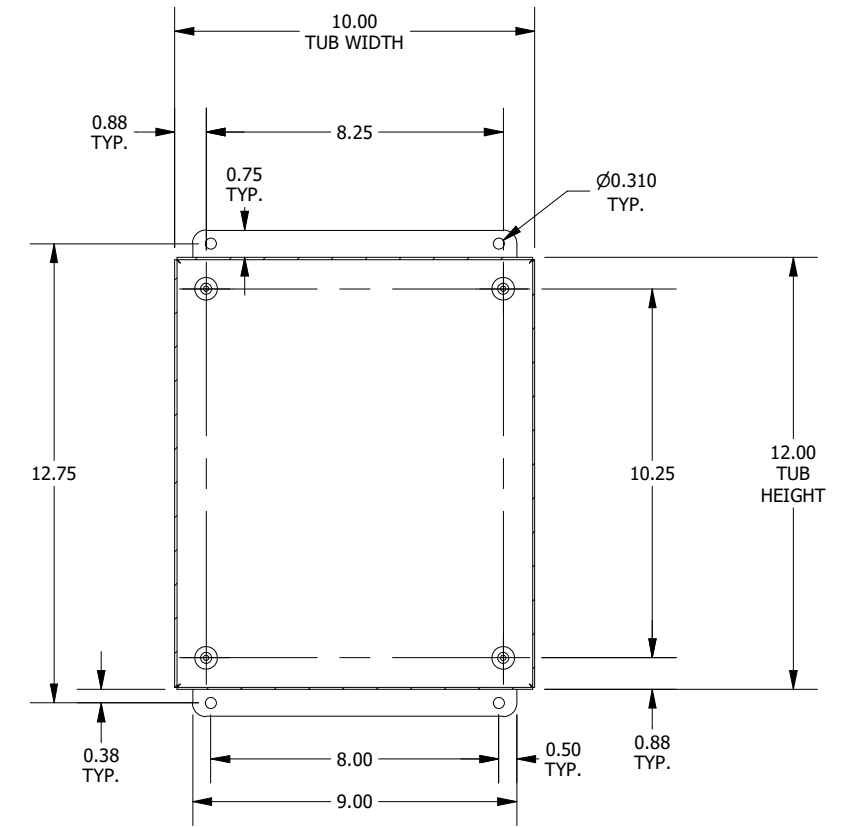
**FRONT VIEW**



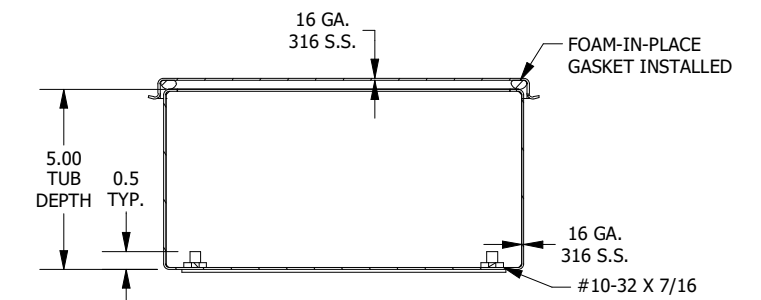
**RIGHT SIDE VIEW**



**BOTTOM VIEW**



**SECTION K-K VIEW  
(INSIDE BACK OF ENCL.)**



**SECTION L-L VIEW  
(INSIDE TOP OF ENCL.)**

**PART #:121005SSA**  
 (DATA SUBJECT TO CHANGE WITHOUT NOTICE)  
 THIS DRAWING IS THE PROPERTY OF HUBBELL INC. WIEGMANN  
 ALL INFORMATION IS PROPRIETARY AND NOT TO BE DUPLICATED