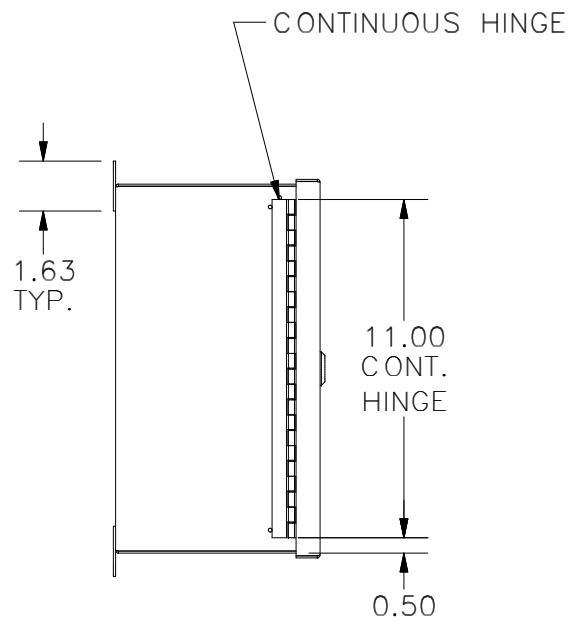
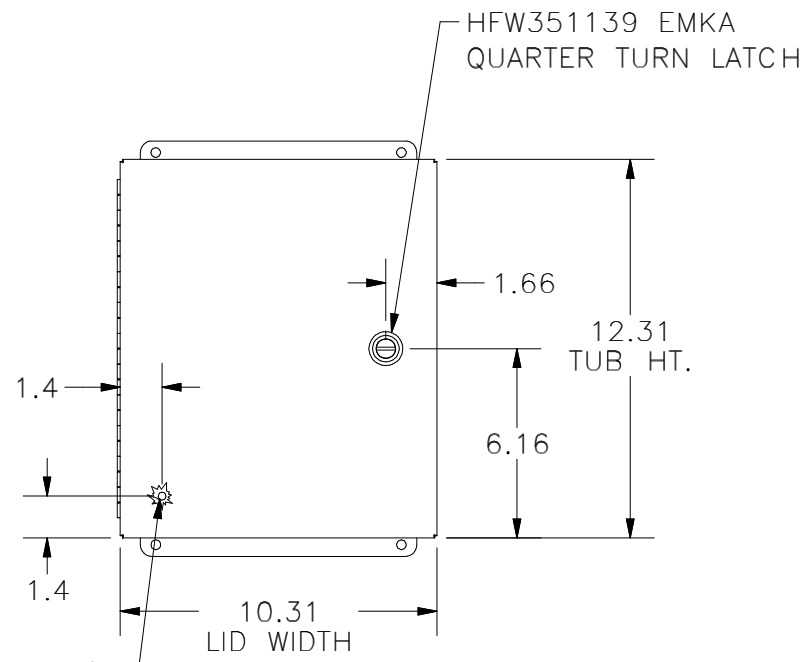


TOP VIEW



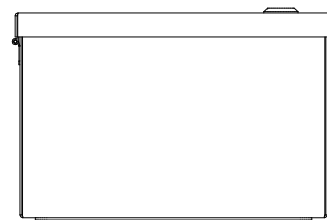
LEFT SIDE VIEW



FRONT VIEW

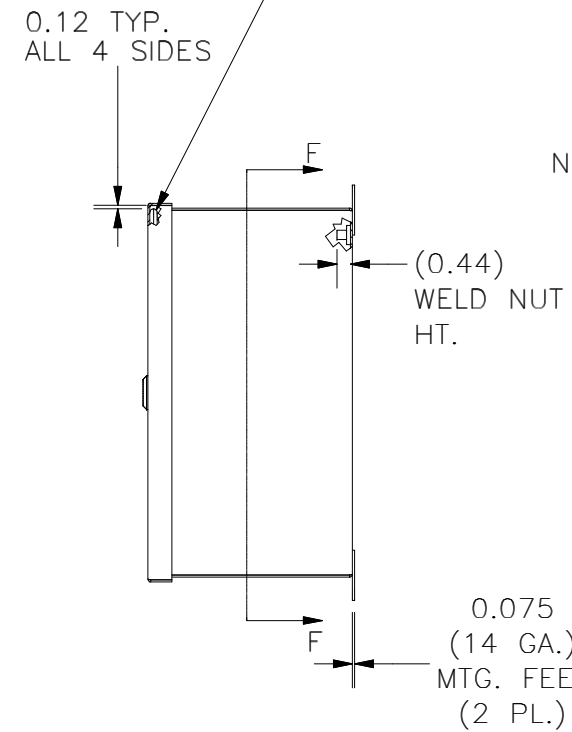
10-32 X 1/2
GROUND STUD
ON INSIDE OF LID

HF351139 EMKA
QUARTER TURN LATCH

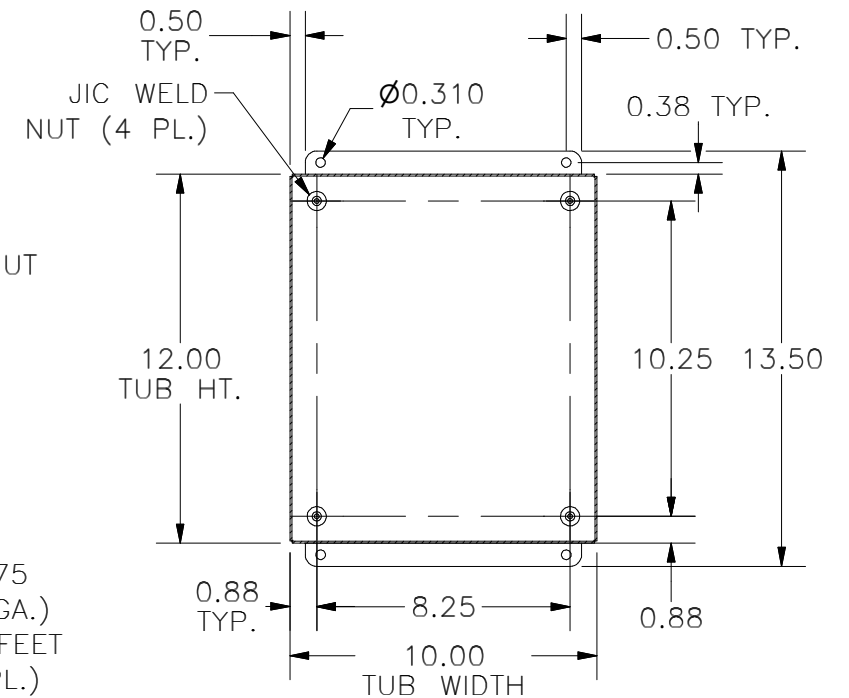


BOTTOM VIEW

NOTE GAP BETWEEN INSIDE EDGE OF
DOOR & FOAM-IN PLACE GASKET



RIGHT SIDE VIEW



**SECTION F-F
(INSIDE BACK VIEW)**

JIC WELD
NUT (4 PL.)

0.075
(14 GA.)
MTG. FEET
(2 PL.)

PART#: BN4121006CHQT
(DATA SUBJECT TO CHANGE WITHOUT NOTICE)

THIS DRAWING IS PROPERTY OF HUBBELL INC. WIEGMANN
ALL INFORMATION IS PROPRIETARY AND NOT TO BE DUPLICATED