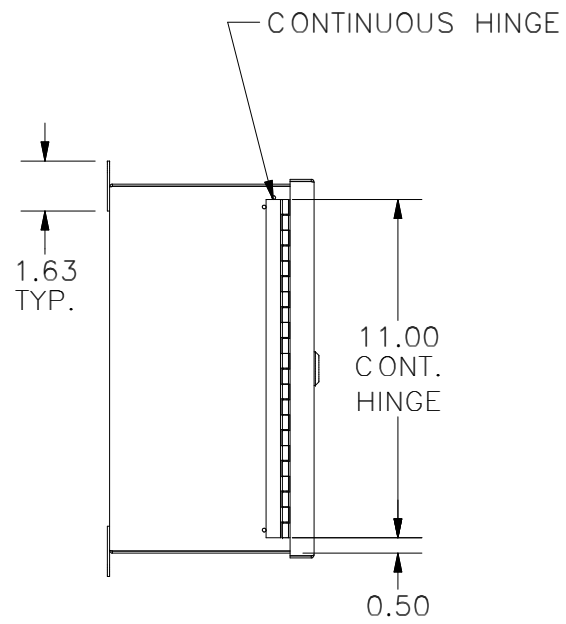
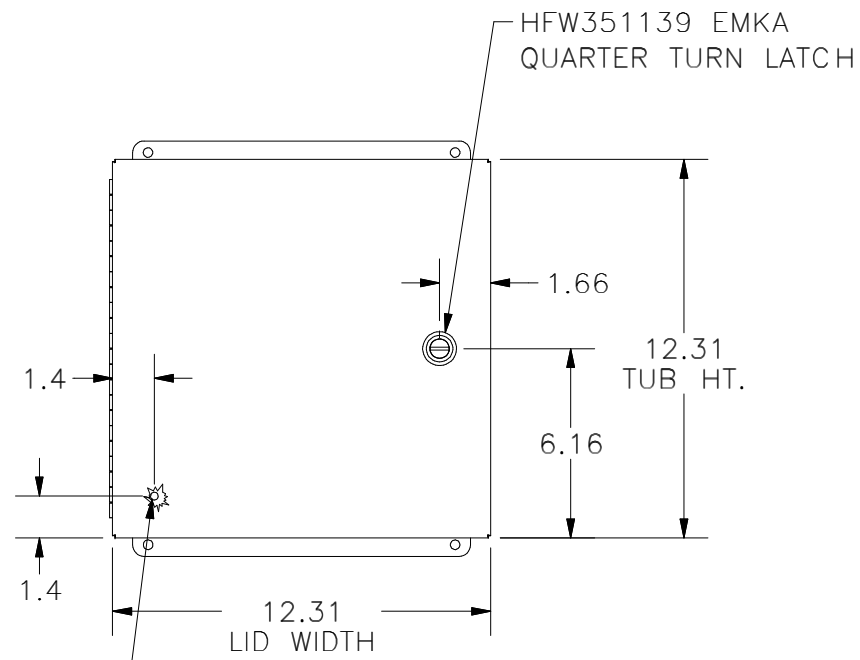


TOP VIEW

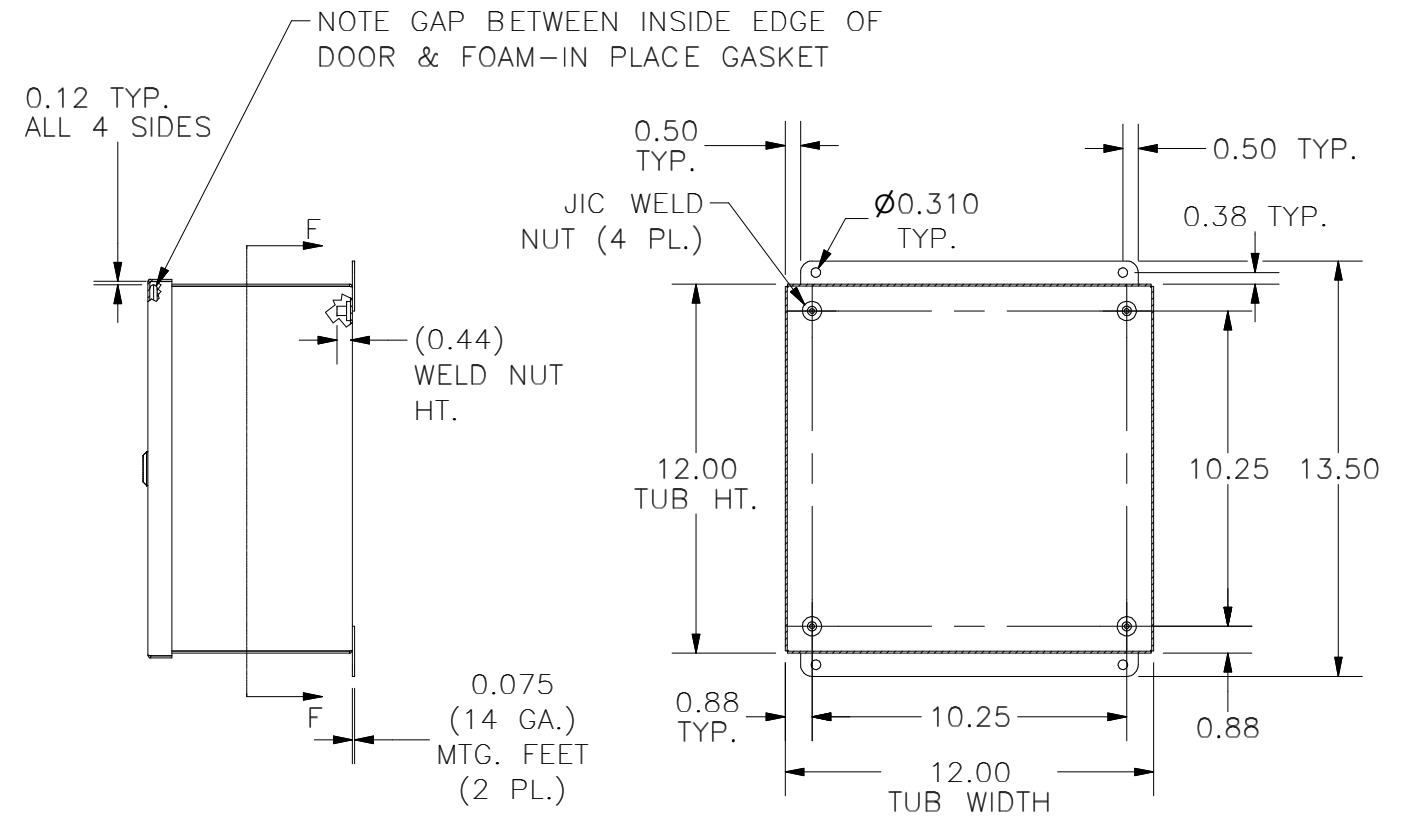


LEFT SIDE VIEW



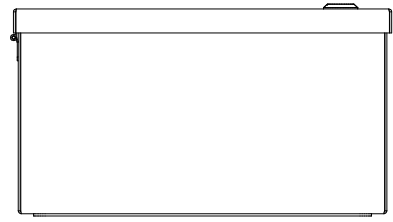
FRONT VIEW

10-32 X 1/2
GROUND STUD
ON INSIDE OF LID



RIGHT SIDE VIEW

**SECTION F-F
(INSIDE BACK VIEW)**



BOTTOM VIEW

PART#: BN4121206CHQT
(DATA SUBJECT TO CHANGE WITHOUT NOTICE)

THIS DRAWING IS PROPERTY OF HUBBELL INC. WIEGMANN
ALL INFORMATION IS PROPRIETARY AND NOT TO BE DUPLICATED