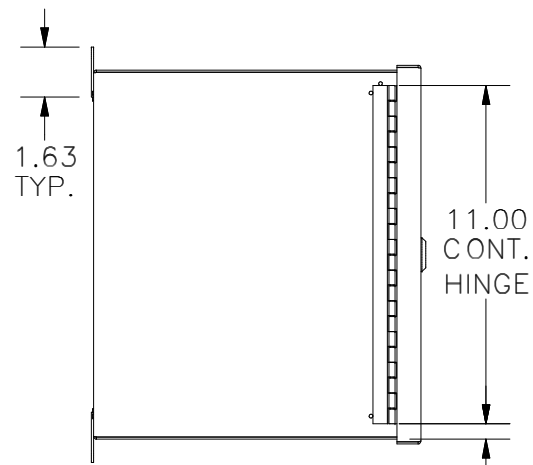
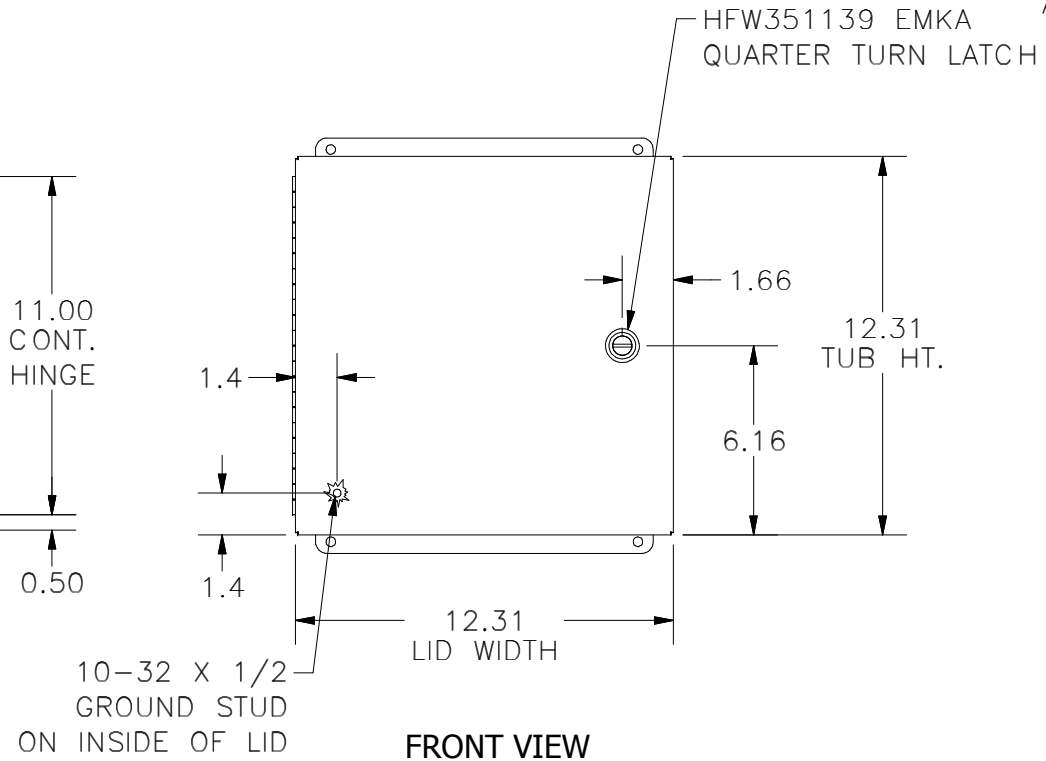


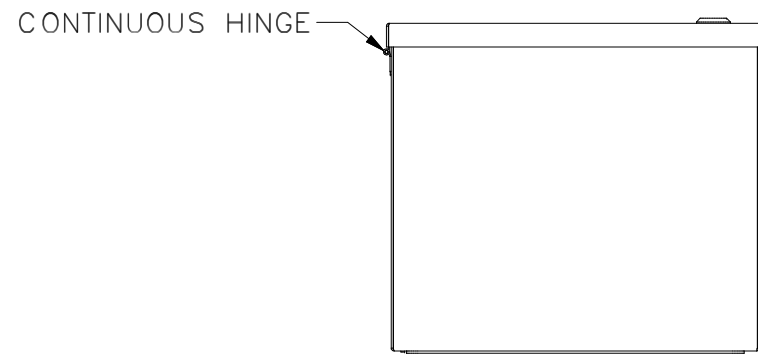
TOP VIEW



LEFT SIDE VIEW



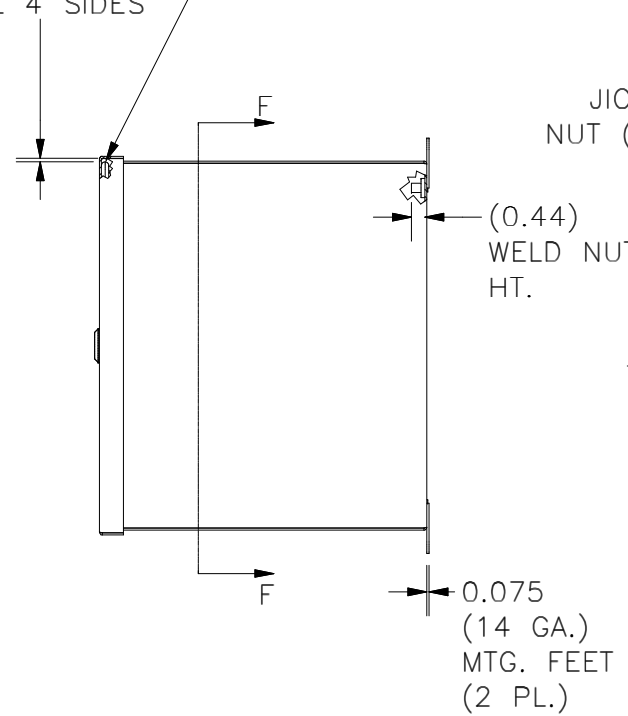
FRONT VIEW



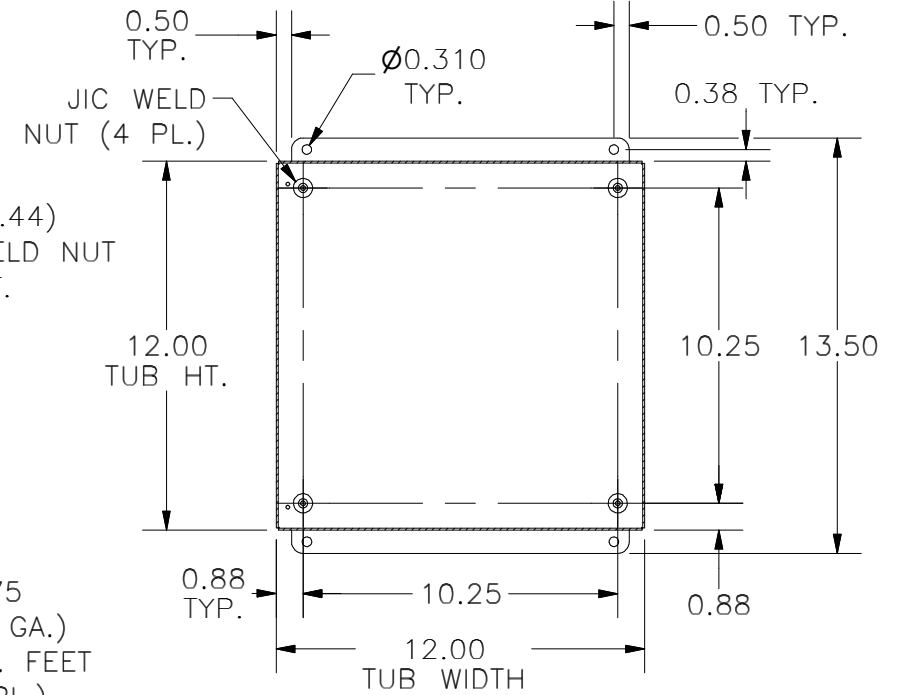
BOTTOM VIEW

NOTE GAP BETWEEN INSIDE EDGE OF DOOR & FOAM-IN PLACE GASKET

0.12 TYP. ALL 4 SIDES



RIGHT SIDE VIEW



SECTION F-F (INSIDE BACK VIEW)

PART#: BN4121210CHQT
(DATA SUBJECT TO CHANGE WITHOUT NOTICE)

THIS DRAWING IS PROPERTY OF HUBBELL INC. WIEGMANN
ALL INFORMATION IS PROPRIETARY AND NOT TO BE DUPLICATED