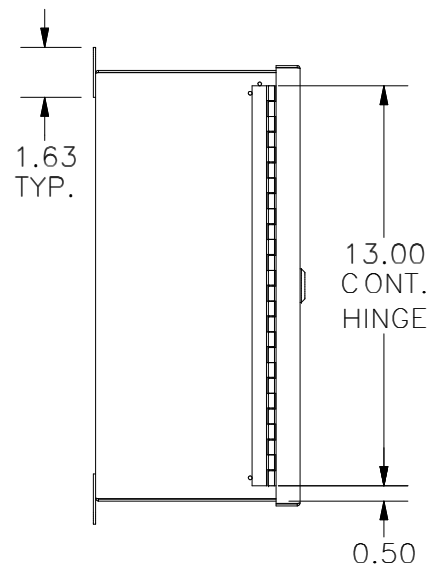
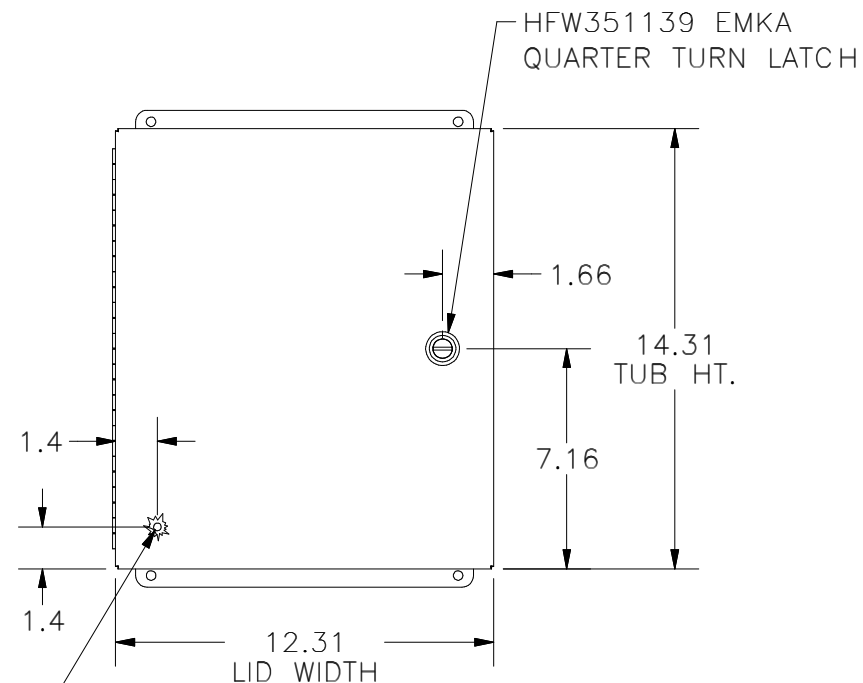


TOP VIEW



LEFT SIDE VIEW

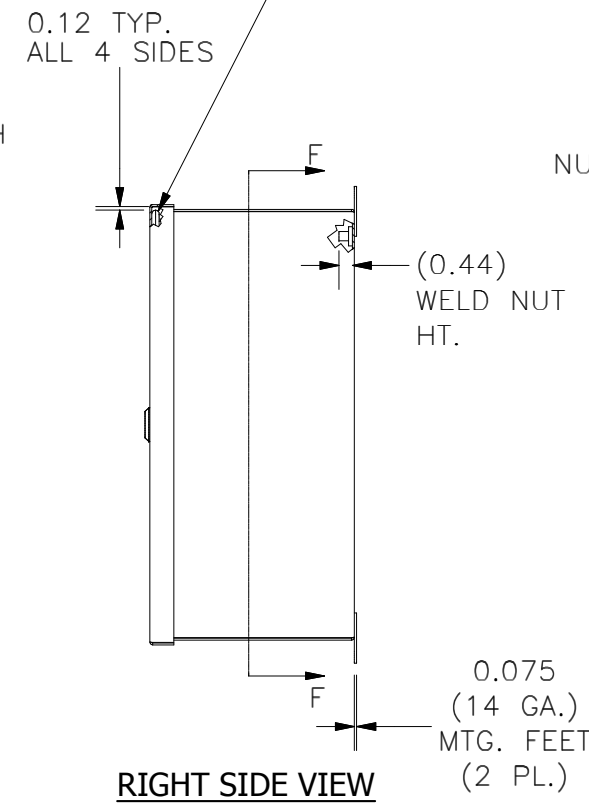


FRONT VIEW

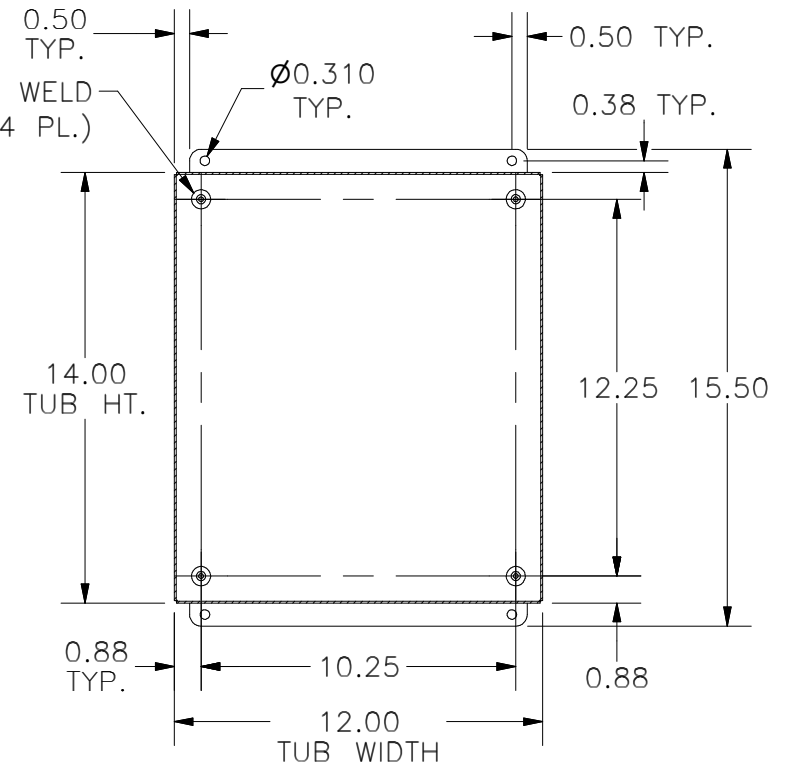
10-32 X 1/2
GROUND STUD
ON INSIDE OF LID

HFW351139 EMKA
QUARTER TURN LATCH

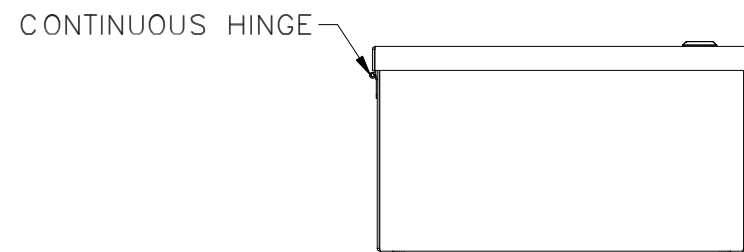
NOTE GAP BETWEEN INSIDE EDGE OF
DOOR & FOAM-IN PLACE GASKET



RIGHT SIDE VIEW



**SECTION F-F
(INSIDE BACK VIEW)**



BOTTOM VIEW

PART#: BN4141206CHQT
(DATA SUBJECT TO CHANGE WITHOUT NOTICE)

THIS DRAWING IS PROPERTY OF HUBBELL INC. WIEGMANN
ALL INFORMATION IS PROPRIETARY AND NOT TO BE DUPLICATED