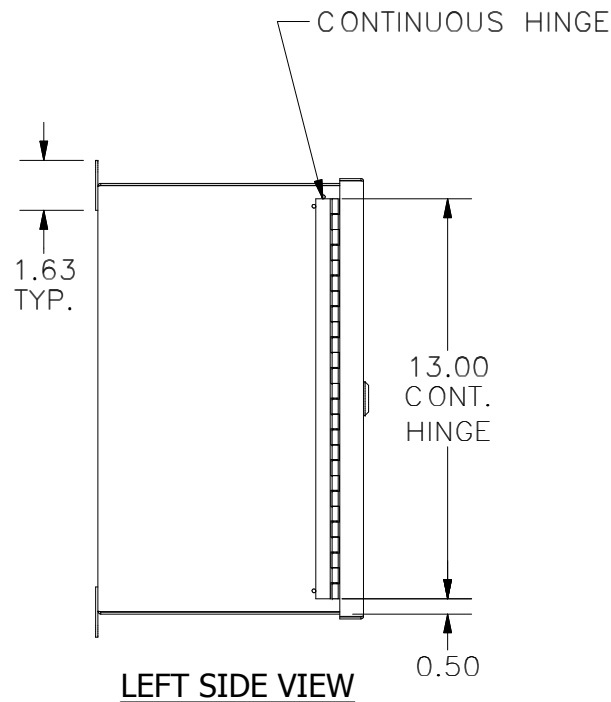
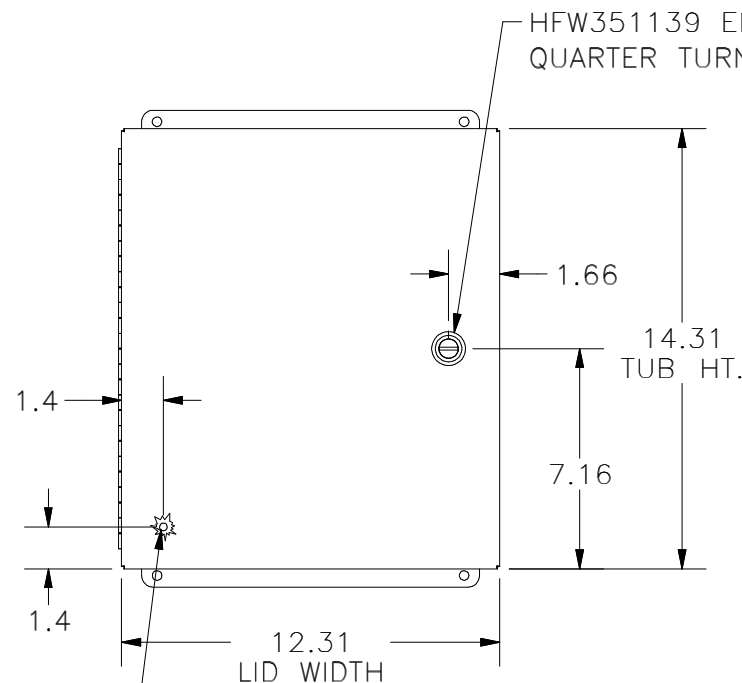


**TOP VIEW**



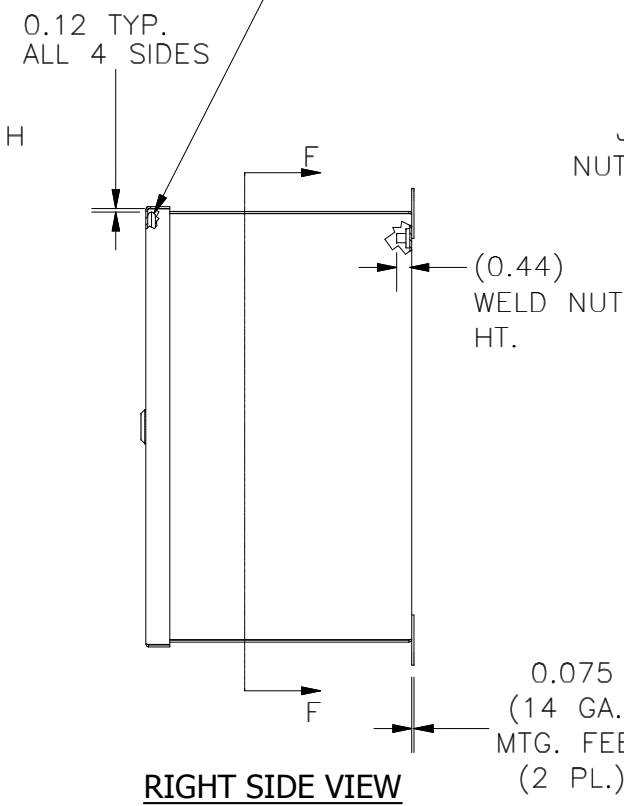
**LEFT SIDE VIEW**



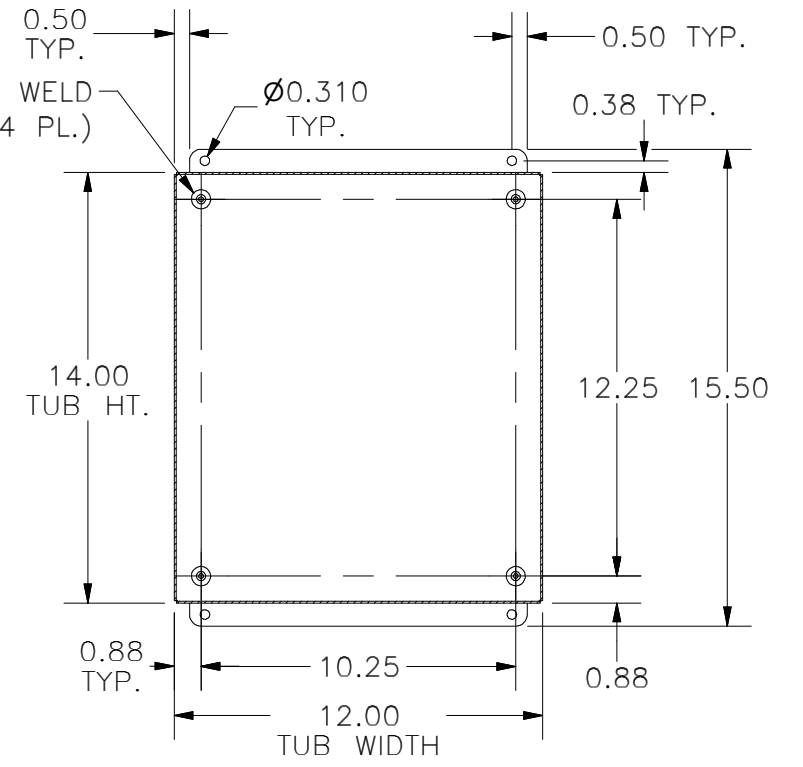
**FRONT VIEW**

10-32 X 1/2  
GROUND STUD  
ON INSIDE OF LID

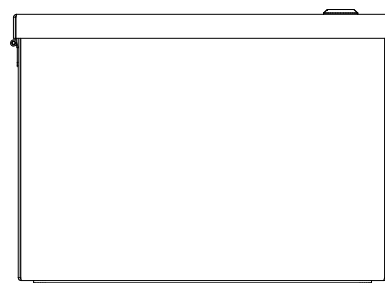
NOTE GAP BETWEEN INSIDE EDGE OF  
DOOR & FOAM-IN PLACE GASKET



**RIGHT SIDE VIEW**



**SECTION F-F  
(INSIDE BACK VIEW)**



**BOTTOM VIEW**

PART#: BN4141208CHQT  
(DATA SUBJECT TO CHANGE WITHOUT NOTICE)

THIS DRAWING IS PROPERTY OF HUBBELL INC. WIEGMANN  
ALL INFORMATION IS PROPRIETARY AND NOT TO BE DUPLICATED