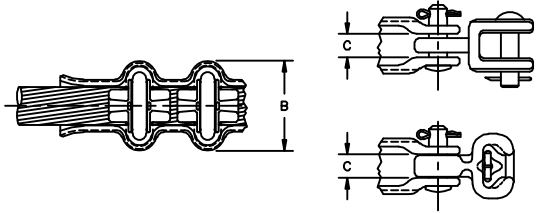


SOCKET
TYPE SA04
(SEE DWG. C-1510)

CLEVIS
TYPE CA04
(SEE DWG. CC-1511)

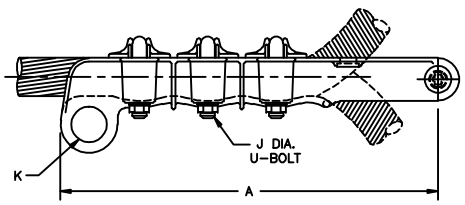
TYPE BSC - (WITHOUT GUIDE)													
CATALOG NUMBER	FITTING		CABLE RANGE MIN.-MAX.	DIMENSIONS IN INCHES							NO. OF U-BOLTS	ULTIMATE STRENGTH IN POUNDS	
	TYPE	CAT. NO.		MINIMUM CABLE DIA.	MAXIMUM CABLE DIA.	A	B	C	J	JJ			K DIA
BSC-024-N	NONE	-	#2 SOL-4/0 STR.	.258	.528	9.125	2.50	.688	.500	-	1.25	2	8,000
BSC-024-S	SOCKET	SA04											
BSC-024-C	CLEVIS	CA04											
BSC-050-N	NONE	-	4/0 STR.-500 MCM	.520	.875	9.625	2.75	.688	.500	-	1.25	2	8,000
BSC-050-S	SOCKET	SA04											
BSC-050-C	CLEVIS	CA04											
BSC-100-N	NONE	-	500 MCM-1000 MCM	.810	1.250	13.125	3.125	.813	.500	-	1.25	3	10,000
BSC-100-S	SOCKET	SA05											
BSC-100-C	CLEVIS	CA04											

TYPE BSCG - (WITH GUIDE)													
CATALOG NUMBER	FITTING		CABLE RANGE MIN.-MAX.	DIMENSIONS IN INCHES							NO. OF U-BOLTS	ULTIMATE STRENGTH IN POUNDS	
	TYPE	CAT. NO.		MINIMUM CABLE DIA.	MAXIMUM CABLE DIA.	A	B	C	J	JJ			K DIA
* BSCG-024-N	NONE	-	#2 SOL-4/0 STR.	.258	.528	9.125	2.50	.688	.500	.375	1.25	2	8,000
* BSCG-024-S	SOCKET	SA04											
* BSCG-024-C	CLEVIS	CA04											
BSCG-050-N	NONE	-	4/0 STR.-500 MCM	.520	.875	9.625	2.75	.688	.500	.375	1.25	2	8,000
BSCG-050-S	SOCKET	SA04											
BSCG-050-C	CLEVIS	CA04											
BSCG-100-N	NONE	-	500 MCM-1000 MCM	.810	1.250	13.125	3.125	.813	.500	.500	1.25	3	10,000
BSCG-100-S	SOCKET	SA05											
BSCG-100-C	CLEVIS	CA04											

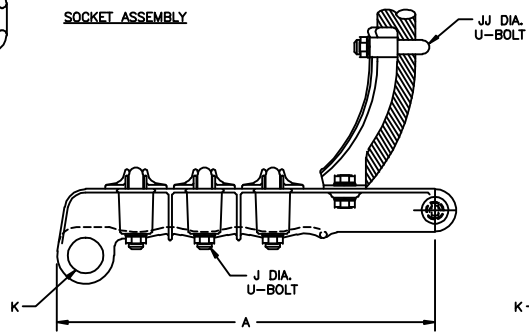


CLEVIS ASSEMBLY

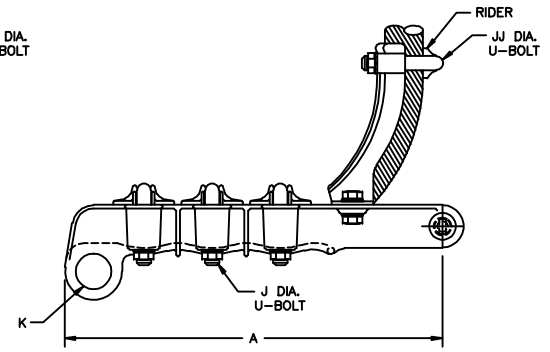
SOCKET ASSEMBLY



TYPE BSC - FIGURE 1



TYPE BSCG - FIGURE 2



* - GUIDE U-BOLT FURNISHED WITH RIDER (BSCG-024 ONLY) - FIGURE 3

NOTES:

1. MATERIAL: BODY - HIGH STRENGTH ALUMINUM BRONZE ALLOY
KEEPER AND GUIDE - ELECTRICAL BRONZE
HARDWARE - GALVANIZED STEEL
SOCKETS AND CLEVISES - DUCTILE IRON, GALVANIZED
COTTER PIN - #302 STAINLESS STEEL
2. THESE CLAMPS ARE RECOMMENDED FOR COPPER OR COPPERWELD CONDUCTOR.
3. TYPE BSCG IS SUPPLIED WITH A STAND-OFF GUIDE, ONE U-BOLT & HARDWARE, TO ASSURE CLEARANCE BETWEEN CONDUCTOR AND INSULATOR DISC WHEN CLAMPS ARE USED AS A THROUGH TYPE DEADEND OR STRAIN. FOR BSCG-024, SEE FIGURE 3.
4. DIMENSIONS ARE SHOWN FOR REFERENCE ONLY.

59940	3/17/15	KWK	KWK
EC #	DATE	CHG BY	RESP ENG
DESC OF DWG CHANGED SA04 to SA05 ON BSC100S & BSC200S			
REASON (S) FOR CHANGE: -- DISPOSITION OF PART: --			

ANDERSON		HUBBELL POWER SYSTEMS	
TITLE BRONZE STRAIN CLAMP			
SIZE	DWG NO.	CAT / PART / ASSY NO.	REV
C	C-2724	BSC-BSCG	09
DO NOT SCALE THIS DRAWING	DRN BY BAF	DATE 8/26/09	SHEET 1 OF 1