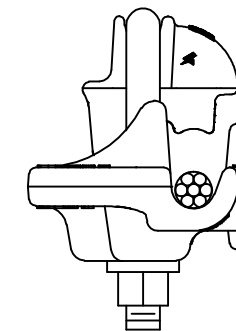
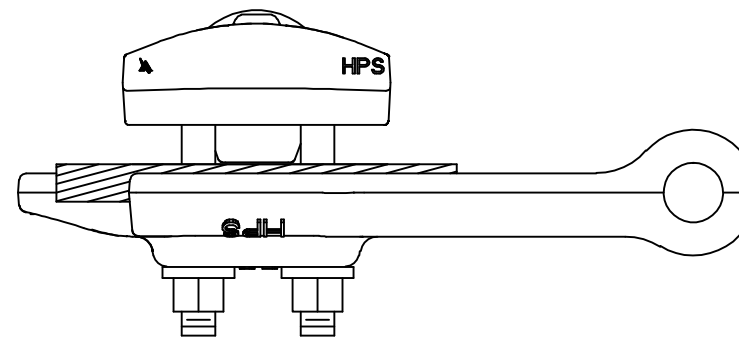
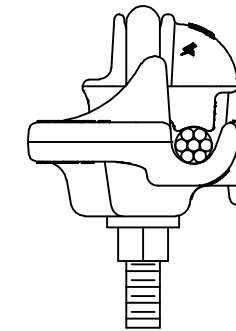
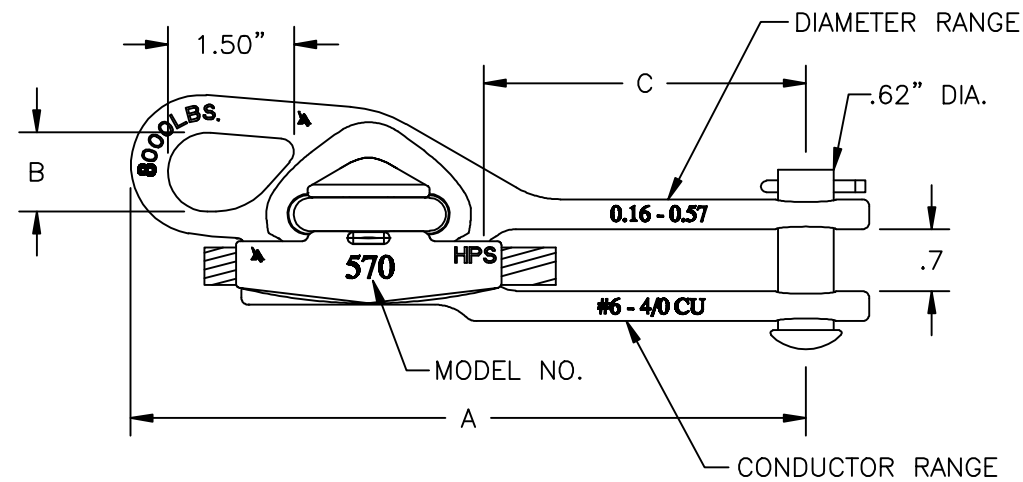
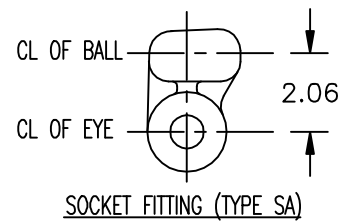
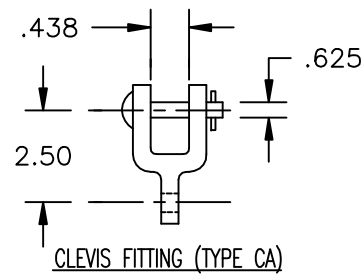


NOTES:

- MATERIAL- BODY AND KEEPER: BRONZE ALLOY 112.  
U-BOLTS, WASHERS, NUTS AND CLEVIS PIN: GALV. STEEL  
COTTER PIN AND SPRING CLIP: STAINLESS STEEL  
SOCKET OR CLEVIS FITTING: GALV. DUCTILE IRON
- FOR A HEX CLEVIS PIN ADD SUFFIX - HP TO CATALOG NUMBER.  
(EX. BSOD-570-1N-HP FOR BSOD-570 WITH NO GO FITTING,  
AND HEX CLEVIS PIN)

CAT. NO.	U-BOLTS		CLAMPING RANGE				ULT. STR. (LBS)		DIMENSIONS IN INCHES		
	NO.	SIZE	COPPER		INCHES		BODY	SAG EYE	A	B	C
			MIN.	MAX.	MIN.	MAX.					
BSOD-570-1N	1	.50	#6 (SOL.)	4/0 (19 STR.)	.16	.57	8,000	8,000	8.62	1	3.75



DIMENSIONS FOR REFERENCE ONLY

33012	10/21/09	BAF	DJS	ANDERSON® TOLERANCE CHART	HUBBELL® POWER SYSTEMS	
EC #	DATE	CHG BY	RESP ENG			
DESC OF DWG: CREATE AUTOCAD DRAWING.				CONFIDENTIAL: THIS DRAWING AND ITS CONTENTS ARE CONFIDENTIAL AND THE EXCLUSIVE PROPERTY OF HUBBELL POWER SYSTEMS. NO PUBLICATION, DISTRIBUTION OR COPIES MAY BE MADE WITHOUT THE WRITTEN CONSENT OF HUBBELL POWER SYSTEMS. HUBBELL POWER SYSTEMS UNPUBLISHED ALL RIGHTS RESERVED UNDER THE COPYRIGHT LAWS.	TITLE BRONZE, SIDE OPENING DEADEND CLAMP	
REASON (S) FOR CHANGE: --					SIZE B	DWG NO. CC-19130
DISPOSITION OF MAT'L: --					CAT / PART / ASSY NO. BSOD-XXX-X	REV 0
					DO NOT SCALE THIS DRAWING	DRN BY BAF
				DATE 10/21/09	SHEET 1 OF 1	