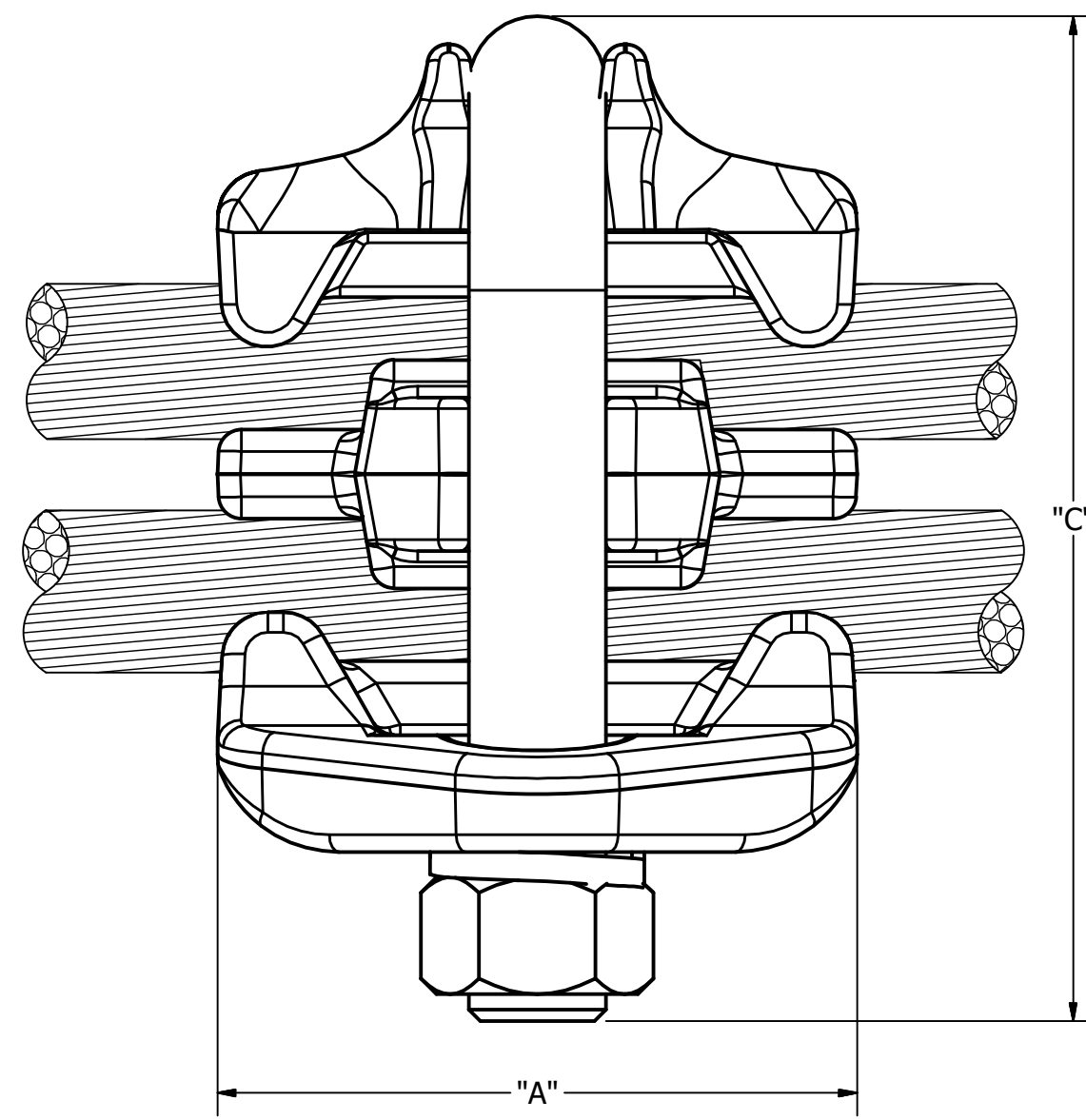
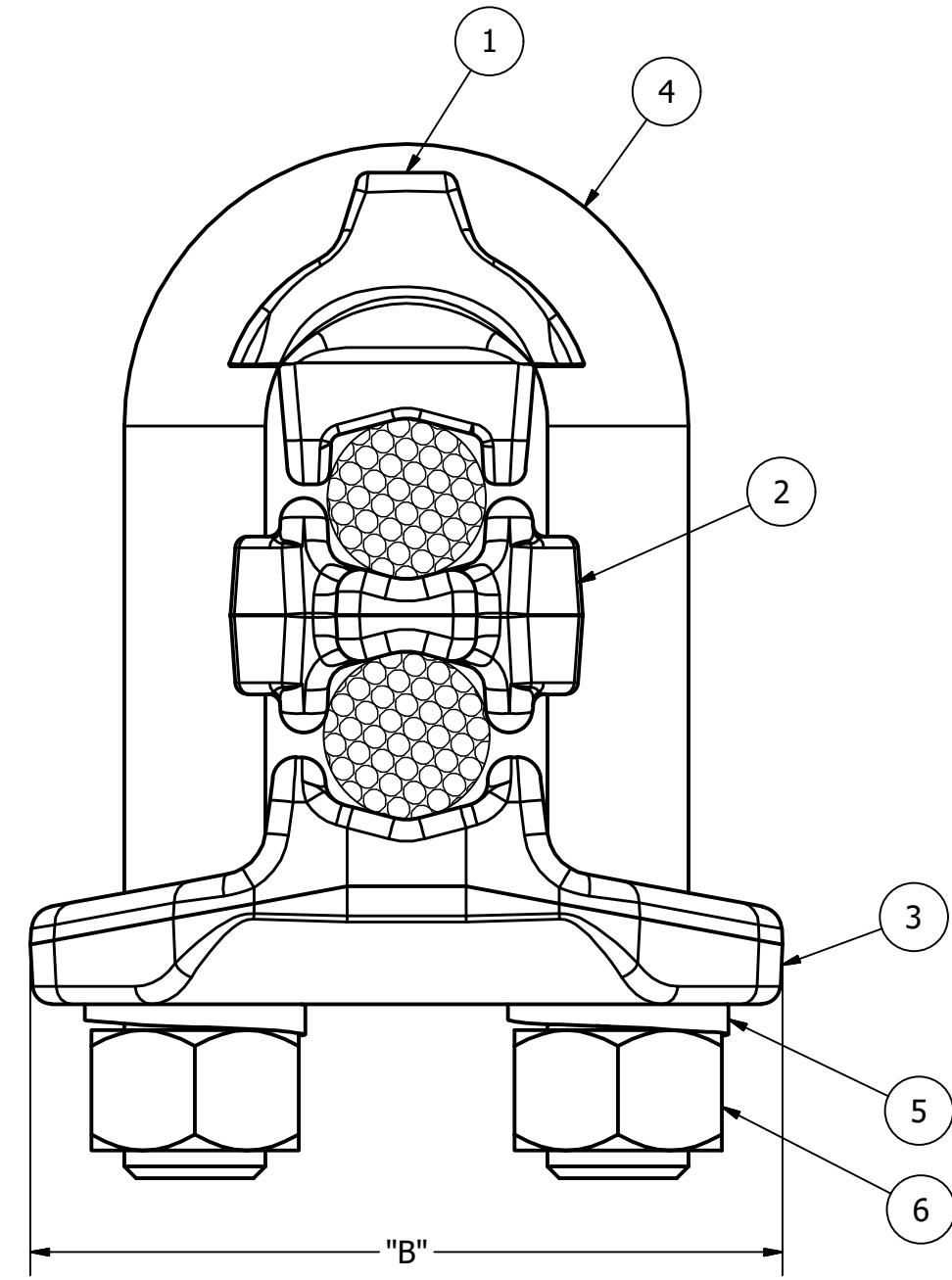


CATALOG NUMBER	AAC CONDUCTOR RANGE MAIN (MIN. - MAX.)	ACSR CONDUCTOR RANGE MAIN (MIN. - MAX.)	AAC CONDUCTOR RANGE TAP (MIN. - MAX.)	ACSR CONDUCTOR RANGE TAP (MIN. - MAX.)	DIM A	DIM B	DIM C	HARDWARE	APPROX. WT. EACH LB. [KG]	STANDARD PACK	1		
											ITEM	DESCRIPTION	MATERIAL
LC71B*	#6 - 2/0	#8 - 2/0	#6 - 2/0	#8 - 2/0	2.000 [50.80]	2.000 [50.80]	3.250 [82.55]	3/8"	.430 [.20]	25	1	TOP	ALUMINUM
LC72B	#6 - 2/0	#8 - 2/0	#6 - 2/0	#8 - 2/0	2.250 [57.15]	2.250 [57.15]	3.375 [85.73]	1/2"	.770 [.35]	25	2	MIDDLE	ALUMINUM
LC73B	1/0 - 400 MCM	1/0 - 336.4 MCM	#6 - 1/0	#8 - 1/0	2.750 [69.85]	2.625 [66.68]	4.000 [101.60]	1/2"	1.120 [.51]	25	3	BOTTOM	ALUMINUM
LC74B*	1/0 - 400 MCM	1/0 - 336.4 MCM	1/0 - 400 MCM	#2 - 336.4 MCM	2.750 [69.85]	2.625 [66.68]	4.000 [101.60]	1/2"	1.210 [.55]	24	4	U-BOLT	GALVANISED STEEL
LC75B	336.4 MCM - 954 MCM	300 MCM - 795 MCM	#6 - 1/0	#8 - 1/0	3.250 [82.55]	3.000 [76.20]	4.625 [117.48]	1/2"	1.430 [.65]	24	5	WASHER	GALVANISED STEEL
LC77B	336.4 MCM - 1033.5 MCM	300 MCM - 954 (45/7) MCM	336.4 MCM - 1033.5 MCM	300 MCM - 954 (45/7) MCM	3.500 [88.90]	3.375 [85.73]	4.375 [136.53]	5/8"	1.970 [.89]	21	6	NUT	GALVANISED STEEL



NOTES:

- ALL DIMENSIONS FOR REFERENCE ONLY IN. [MM], FORCE LBS [KN], TORQUE IN. LBS [N.M] & WEIGHT LBS. [KG].
- RATINGS:
  - RECOMMENDED TORQUE: 3/8 HARDWARE - 240 IN.LBS [27.12]  
1/2 HARDWARE - 480 IN.LBS [54.23]  
5/8 HARDWARE - 660 IN.LBS [74.57]
- CERTIFICATIONS, SPECIFICATIONS & STANDARDS:
  - \*RUS LISTED.
  - ANSI C119.4
- A SUFFIX IS ADDED TO THE CATALOG NUMBER TO DESIGNATE THE REQUIRED FITTINGS AS SHOWN IN THE TABULATION (EXAMPLE: LC74BxB):  
"xB" - FACTORY INHIBITED AND BAGGED

77106	1/18/2019	SD	SD	HPS.	<b>HUBBELL® POWER SYSTEMS</b> <small>POWER SYSTEMS, INC.</small>			
EC #	DATE	CHG BY	RESP ENG					
DESC OF DWG: DRAWING CREATED IN INVENTOR				CONFIDENTIAL: THIS DRAWING AND ITS CONTENTS ARE CONFIDENTIAL AND THE EXCLUSIVE PROPERTY OF HUBBELL POWER SYSTEMS. NO PUBLICATION, DISTRIBUTION OR COPIES MAY BE MADE WITHOUT THE WRITTEN CONSENT OF HUBBELL POWER SYSTEMS. HUBBELL POWER SYSTEMS UNPUBLISHED ALL RIGHTS RESERVED UNDER THE COPYRIGHT LAWS	TITLE <b>CONNECTOR AL PARALLEL GROOVE, TYPE LC7X</b>			
REASON (S) FOR CHANGE: DISPOSITION OF MAT'L:					<table border="1"> <tr> <td>SIZE <b>C</b></td> <td>DWG NO. <b>C-1255</b></td> <td>CAT / PART / ASSY NO. <b>SEE CHART</b></td> <td>REV <b>15</b></td> </tr> </table>	SIZE <b>C</b>	DWG NO. <b>C-1255</b>	CAT / PART / ASSY NO. <b>SEE CHART</b>
SIZE <b>C</b>	DWG NO. <b>C-1255</b>	CAT / PART / ASSY NO. <b>SEE CHART</b>	REV <b>15</b>					
DO NOT SCALE THIS DRAWING		DRN BY CSW	DATE 10/31/1998	SHEET 1 OF 1				