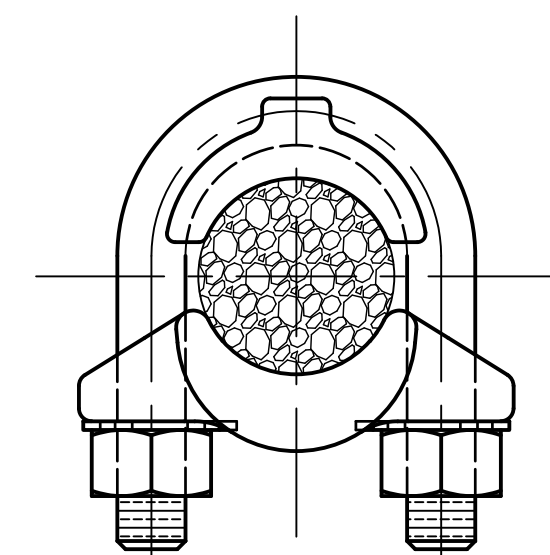


TYPE: ATCC






TYPE: ATCC - U



NOTES :

1. MATERIAL : CONNECTOR ALUMINUM ALLOY #356-T6  
HARDWARE - ALUMINUM ALLOY #2024-T4 BOLTS, WASHERS  
#7075T6, NUTS #6061T6 ALUMINUM, LUBRICATED.
1. INSTALLATION: ONE WRENCH REQUIRED.
2. \* CABLE RANGE IN INCHES.
3. \*\* 6 BOLTS MAIN & TAP.
4. TO OBTAIN COPPER LINER IN MAIN ADD SUFFIX "CA" TO CATALOG NO.  
EXAMPLE: ATCC-66-CA
6. TO OBTAIN COPPER LINER IN TAP ADD SUFFIX "AC" TO CATALOG NO.  
EXAMPLE: ATCC-66-AC

80132	10/03/2019	HG	HG	PTB		THIRD ANGLE PROJECTION	 HUBBELL® POWER SYSTEMS	A	
EC #	DATE	CHG BY	CKD BY	APPD BY					
DESC OF DWG: REDRAWN IN AUTOCAD FORMAT WITH RENDERING ADDED						THIRD ANGLE PROJECTION	TITLE  ALUMINUM TEE CONNECTOR AAC OR ACSR CABLE TO CABLE		
--							CATALOG NUMBER: ATCC		
--							SIZE	DWG NO.	PART / ASSY NO.
REASON (S) FOR CHANGE: --						C	C-1279	SEE TABLE	23
DISPOSITION OF MAT'L: --						SCALE: NS	DRN BY: NDS	DATE: 10/10/56	SHEET 1 OF 3
2					1 UNCONTROLLED COPY WHEN PRINTED				







CONDUCTOR SIZE				CATALOG NUMBER		DIMENSIONS IN INCHES				
CABLE MAIN		CABLE TAP				A	B	C	J	
ALUMINUM MIN - MAX	ACSR MIN - MAX	ALUMINUM MIN - MAX	ACSR MIN - MAX	WITH MACH. BOLTS	WITH U-BOLTS					
900 - 1250	715.5 - 1113	2500 - 3000		ATCC-1321	ATCC-1321-U	3 3/4	8 5/16	5	1/2 & 5/8	
900 - 1250	715.5 - 1113	*2.0	*2.2	ATCC-1322	ATCC-1322-U	3 3/4	8 5/16	5	1/2 & 5/8	
1250 - 1600	1113 - 1272	#4 - 250	#4 - 4/0	ATCC-156	ATCC-156-U	4 1/4	6 1/2	3	1/2	
1250 - 1600	1113 - 1272	250 - 350	4/0 - 336.4	ATCC-157	ATCC-157-U	4 1/4	6 1/2	3	1/2	
1250 - 1600	1113 - 1272	350 - 600	336.4 - 477	ATCC-159	ATCC-159-U	4 1/4	6 3/4	3 1/4	1/2	
1250 - 1600	1113 - 1272	600 - 900	556.5 - 795	ATCC-1511	ATCC-1511-U	4 1/4	7	3 1/2	1/2	
1250 - 1600	1113 - 1272	900 - 1250	715.5 - 1113	ATCC-1513	ATCC-1513-U	4 1/4	7 1/4	3 3/4	1/2	
1250 - 1600	1113 - 1272	1250 - 1600	1113 - 1272	ATCC-1515	ATC-1515-U	4 1/4	8 1/16	4 1/4	5/8	
1500 - 2000	1272 - 1590	#4 - 250	#4 - 4/0	ATCC-166	ATCC-166-U	4 1/2	6 7/16	3	1/2	
1500 - 2000	1272 - 1590	250 - 400	4/0 - 336.4	ATCC-167	ATCC-167-U	4 1/2	6 11/16	3	1/2	
1500 - 2000	1272 - 1590	350 - 600	336.4 - 477	ATCC-169	ATCC-169-U	4 1/2	6 15/16	3 1/4	1/2	
1500 - 2000	1272 - 1590	600 - 900	556.5 - 795	ATCC-1611	ATCC-1611-U	4 1/2	7 3/16	3 1/2	1/2	
1500 - 2000	1272 - 1590	900 - 1250	715.5 - 1113	ATCC-1613	ATCC-1613-U	4 1/2	7 7/16	3 3/4	1/2	
1500 - 2000	1272 - 1590	1250 - 1600	1113 - 1272	ATCC-1615	ATCC-1615-U	4 1/2	8 5/16	4 1/4	5/8	
1500 - 2000	1272 - 1590	1500 - 2000	1272 - 1590	ATCC-1616	ATCC-1616-U	4 1/2	8 9/16	4 1/2	5/8	
1600 - 2000	1272 - 1780	2000 - 2500	1780 - 2156	ATCC-1618	AEP BM 5318	ATCC-1618-U	4 1/2	8 13/16	4 3/4	5/8
2000 - 2500	1.632 - 1.824	#4 - 250	#4 - 4/0	ATCC-186	ATCC-186-U	4 3/4	6 7/16	3	1/2	
2000 - 2500	1.632 - 1.824	250 - 400	#4/0 - 336.4	ATCC-187	ATCC-187-U	4 3/4	6 3/4	3	1/2	
2000 - 2500	1.632 - 1.824*	350 - 600	336.4 - 477	ATCC-189	ATCC-189-U	4 3/4	7	3 1/4	1/2	
2000 - 2500	1.632 - 1.824*	600 - 900	556.5 - 795	ATCC-1811	ATCC-1811-U	4 3/4	7 7/16	3 1/2	1/2	
2000 - 2500	1.632 - 1.824*	600 - 900	556.5 - 795	ATCC-1811	ATCC-1811-U	4 3/4	9 3/16	5	5/8	
2000 - 2500	1.632 - 1.824*	900 - 1250	715.5 - 1113	ATCC-1813		4 3/4	7 15/16	3 3/4	5/8 & 1/2	
2000 - 2500		1250 - 1600	1113 - 1272	ATCC-1815	ATCC-1815-U	4 3/4	8 7/16	4 1/4	5/8	
2000 - 2500	1.632 - 1.824*	1600 - 2000	1272 - 1780	ATCC-1816	AEP BM# 5026	ATCC-1816-U	4 3/4	8 11/16	4 1/2	5/8
2000 - 2500	1.632 - 1.824*	2000 - 2500	1.632 - 1.824*	ATCC-1818	ATCC-1818-U	4 3/4	8 15/16	4 3/4	5/8	
2000 - 2500	1.632 - 1.824*	2000 - 2500	1.632 - 1.824*	** ATCC-1818-ALA		6 3/4	10 15/16	6 3/4	5/8	
2500 - 3000	1.824 - 1.998	900 - 1250	715.5 - 1113	ATCC-2113	ATCC-2113-U	5	8 3/8	3 3/4	5/8 & 1/2	
2500 - 3000	1.824 - 1.998	2500 - 3000	1.824 - 1.998	ATCC-2121	ATCC-2121-U	5	9 5/8	5	5/8	

CATALOG NUMBER: ATCC

SIZE	DWG NO.	PART / ASSY NO.	REV
C	C-1279	SEE TABLE	23

SCALE: NS	DRN BY: NDS	DATE: 10/10/56	SHEET 3 OF 3
-----------	-------------	----------------	--------------

1 UNCONTROLLED COPY WHEN PRINTED